

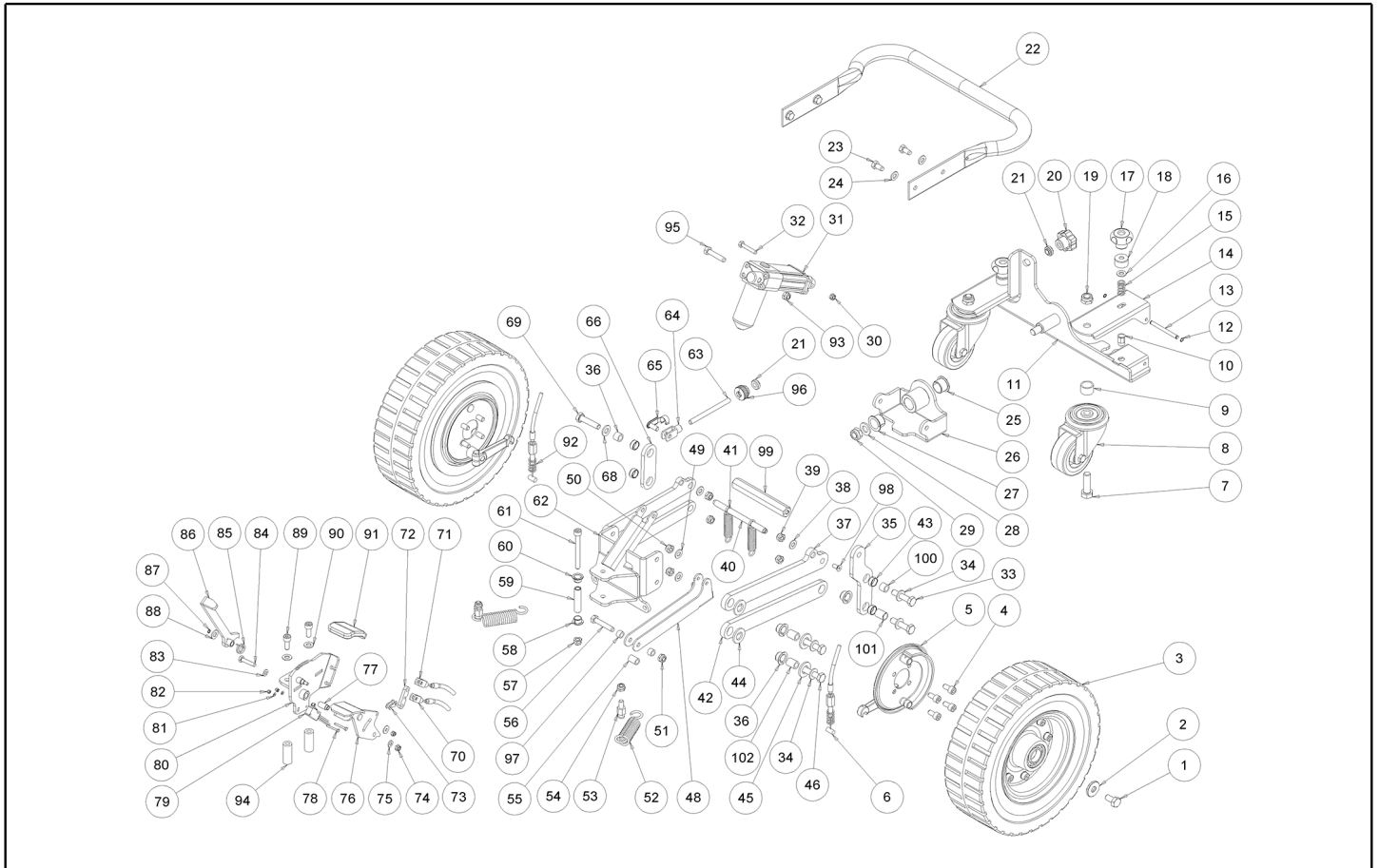


IPC

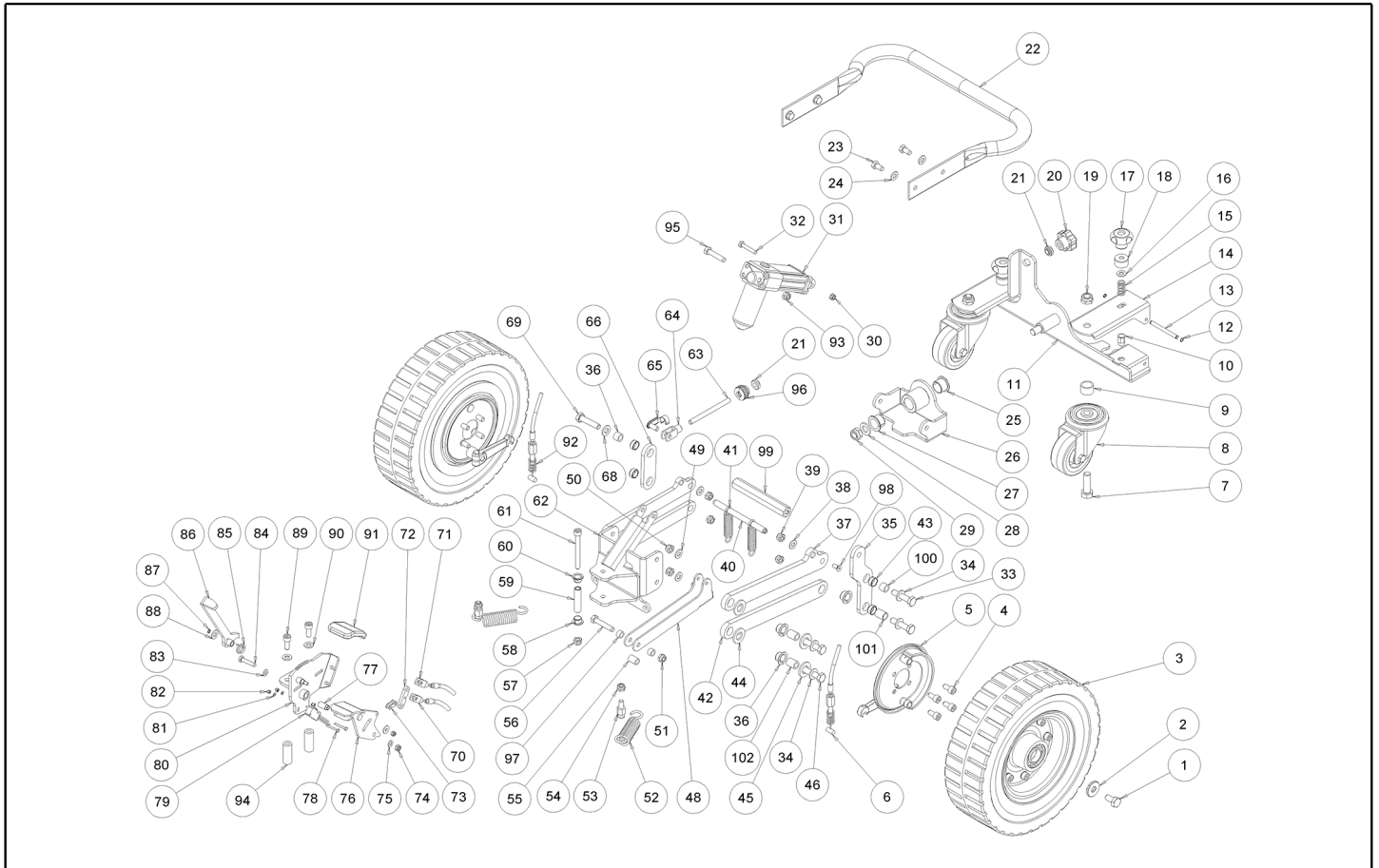
Spare parts list

Ref: LPTB02045

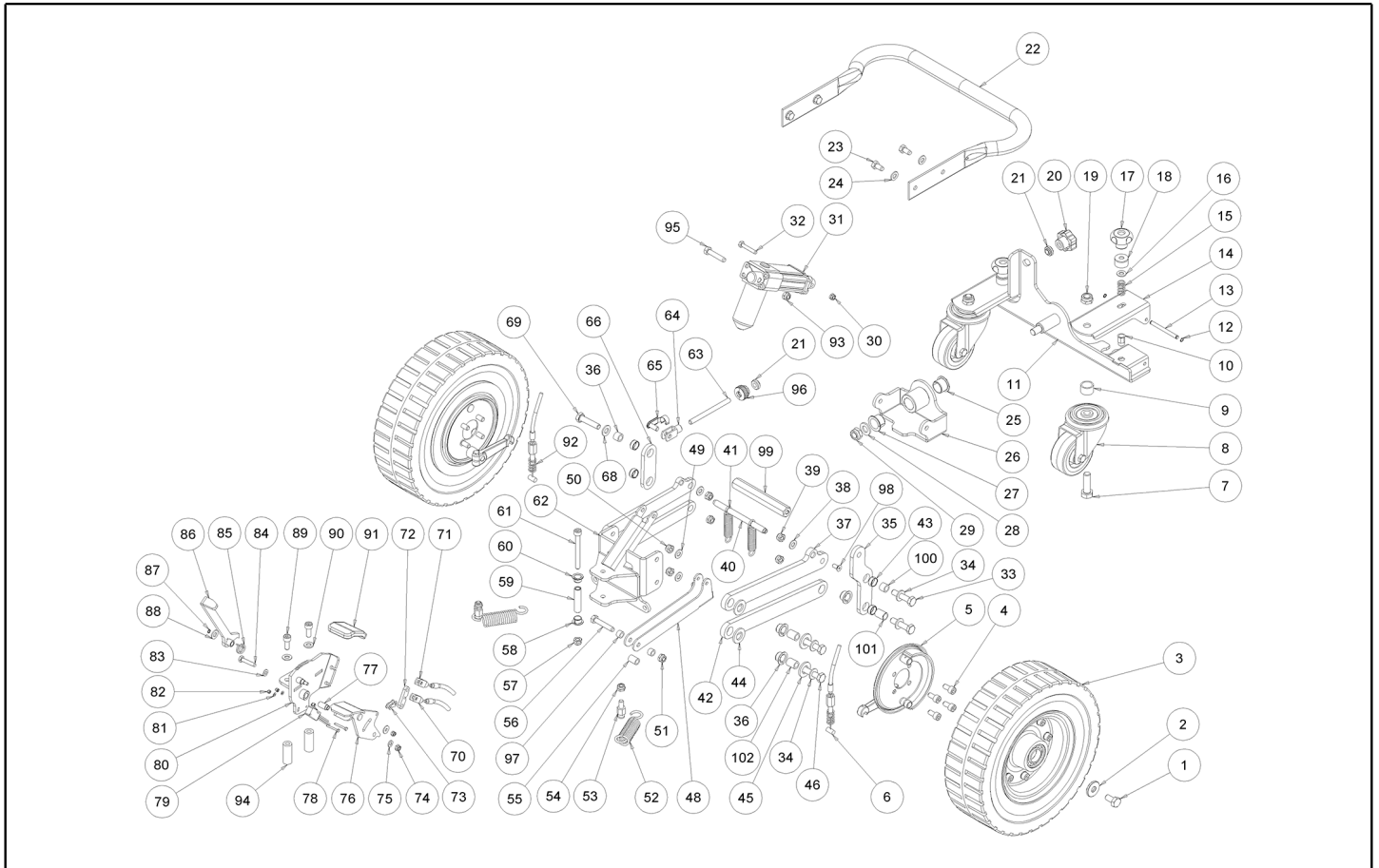
Model: FLOOR WASHER CT230 BT105 GR/VE



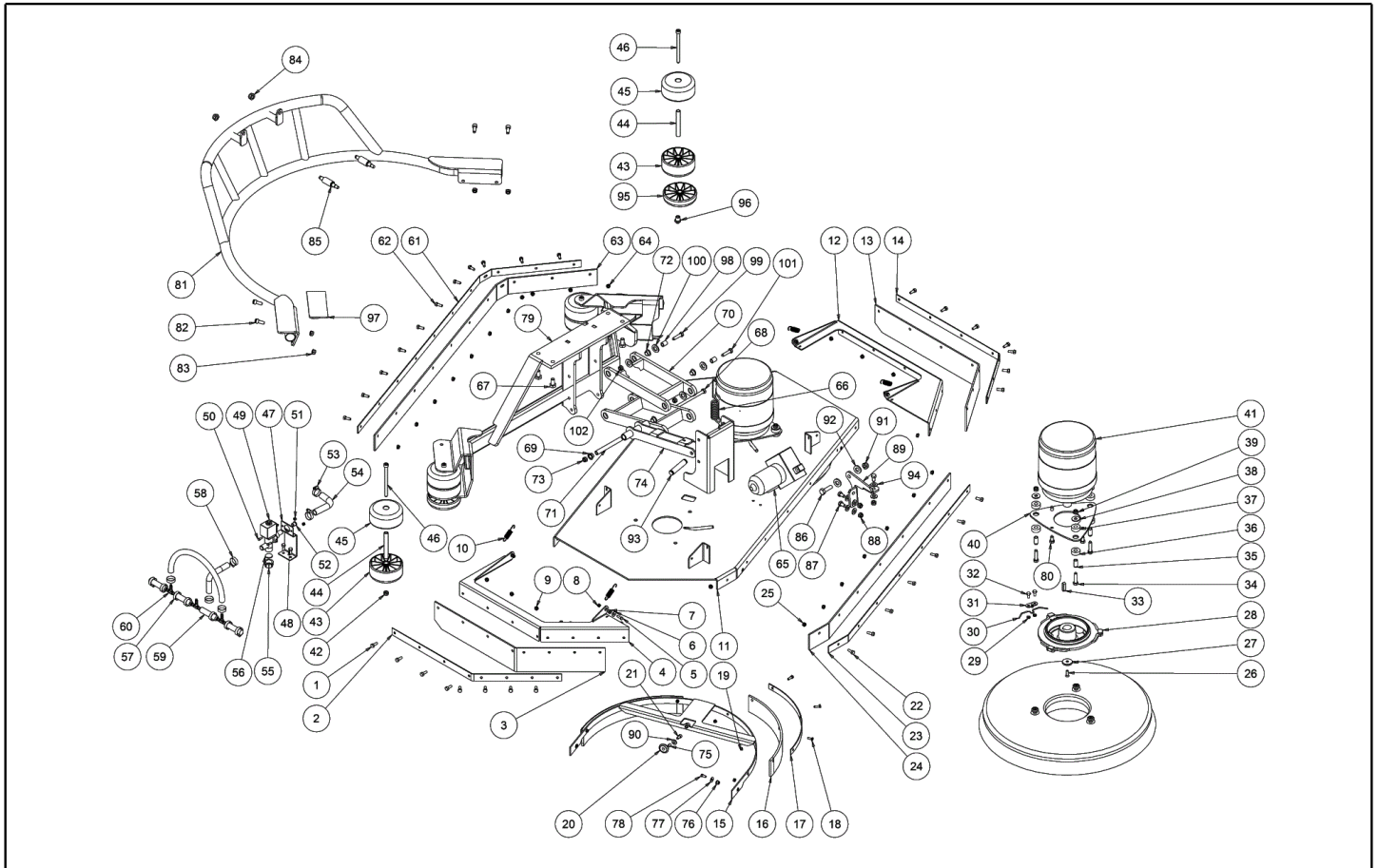
Ref. K	Part n.	Part n. 2	Description	Quantity	Validity		Price
					From	To	
0001	VTVT13936		SCREW TE M 10X 20	2,00			--
0002	LAFN04144		WASHER RUOTE POSTERIORI	2,00			--
0003	RTRT00538		WHEEL REAR 4.00-6 PU CT230	2,00			--
0004	VTVT00876		SCREW TCEI M.8-16	8,00			--
0005	RTRT45090		BRAKE PORTACEPPO D.125 TK1400	2,00			--
0006	CMCV00335		CABLE 4x	1,00			--
0007	VTVT28885		SCREW TE M 12X 50 UNI 5739 INOX	2,00			--
0008	RTRT00518		WHEEL CASTOR D.80X30	2,00			--
0009	LAFN09002		THICKNESS -	2,00			--
0010	VTVR00022		INSERT FILETTATO ESAGONALE M8	2,00			--
0011	LAFN11227		SUPPORT SQUEEGEE	1,00			--
0012	VTAE48552		CIRCLIP ESTERNO DIN 471 D.6	4,00			--
0013	LAFN04150		PIN BRACCIO RUOTA TERGI P185	2,00			--
0014	LAFN08993		ARM PORTARUOTA TERGI P185	2,00			--
0015	MLML00239		SPRING PER RUOTE TERGI P185	2,00			--
0016	VTRS13947		WASHER D. 8 INX UNI 6592	2,00			--
0017	VTVR35378		HANDWHEEL F 8MAX20 D.40	2,00			--
0018	ABGO00042		VIBRATION DAMP. SQUEEGEE CASTORS CT160	2,00			--
0019	VTDD00176		NUT M.12 INOX A2 BASSO AUTOB.	2,00			--
0020	VTVT00207		HANDWHEEL M8	1,00			--
0021	LAFN08811		BUSHING -	2,00			--
0022	LAFN06275		TUBE ROLL BAR POSTER.CLT160	1,00			--
0023	VTVT15916		SCREW TE M 8X 16 UNI 5739 A2	4,00			--
0024	VTRS13947		WASHER D. 8 INX UNI 6592	4,00			--
0025	CUVR44216		BUSHING CB 85 2015 31T	1,00			--
0026	LAFN08812		BRACKET -	1,00			--
0027	CUVR44216		BUSHING CB 85 2015 31T	1,00			--
0028	VTRS15978		WASHER D.12X24 UNI 6592 INX	1,00			--
0029	VTDD00176		NUT M.12 INOX A2 BASSO AUTOB.	1,00			--
0030	VTDD01694		NUT M6 INOX	1,00			--
0031	MOCC00394		ACTUATOR SQUEEGEE CT160-230 36V	1,00			--
0032	VTVT00433		SCREW TE M 6X 30 UNI 5739 INX	1,00			--
0033	VTVT00410		SCREW TE M8x35 UNI5739 INOX	2,00			--
0034	VTRS13947		WASHER D. 8 INX UNI 6592	2,00			--
0035	LAFN11224		CONNECTING ROD	1,00			--
0036	CUVR00130		BEARING STRISCIAMENTO	6,00			--
0037	LAFN11223		ARM	2,00			--
0038	VTRS13947		WASHER D. 8 INX UNI 6592	2,00			--
0039	VTDD01695		NUT M 8 INX	2,00			--
0040	LAFN08808		PIN -	1,00			--
0041	MLML00022		SPRING GANCIO ARPIONE	2,00			--
0042	LAFN11222		ARM	2,00			--
0043	LAFN11228		BUSHING -	4,00			--
0044	VTRS15978		WASHER D.12X24 UNI 6592 INX	8,00			--



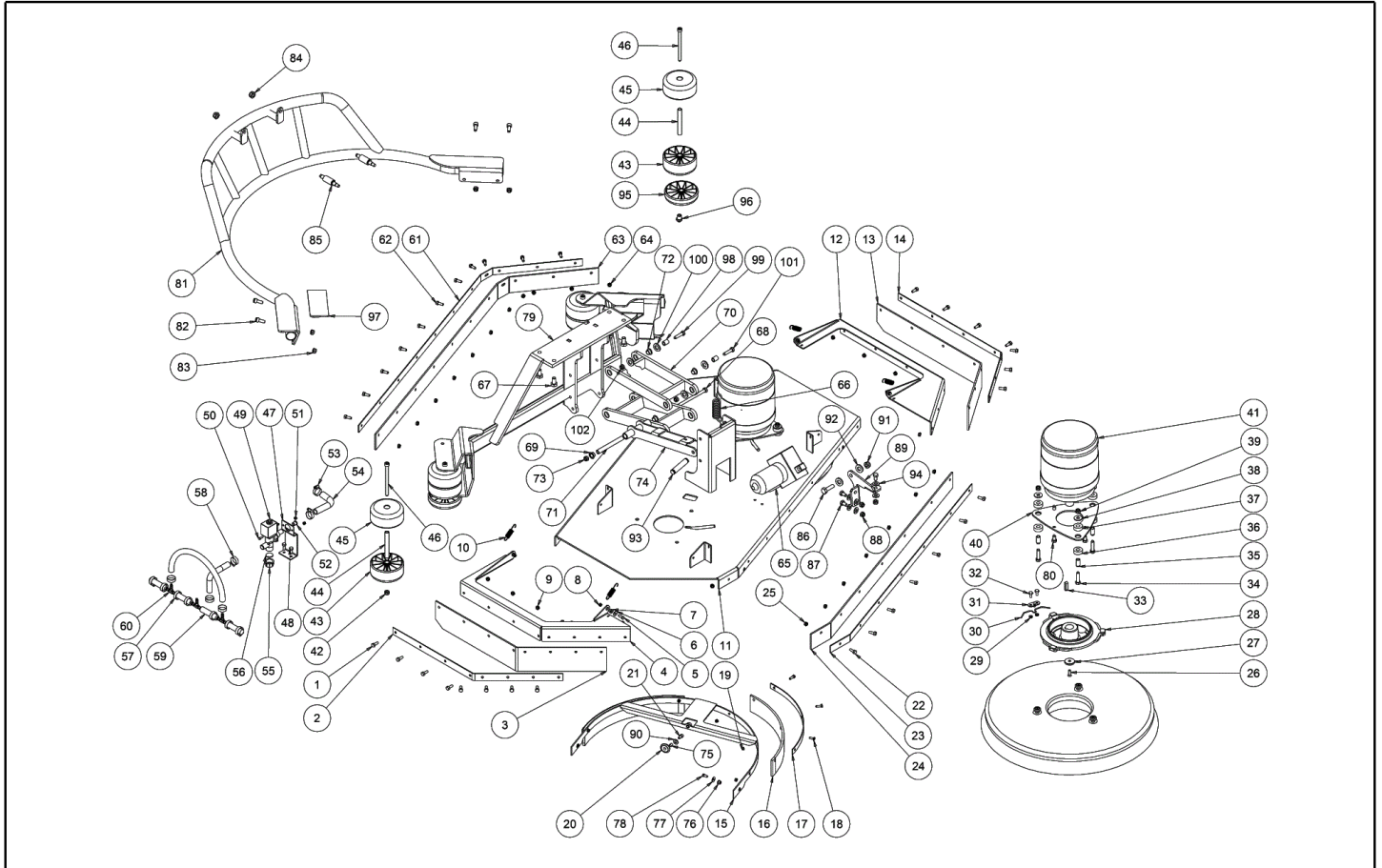
Ref. K	Part n.	Part n. 2	Description	Quantity	Validity		Price
					From	To	
0045	VTRS15978		WASHER D.12X24 UNI 6592 INX	4,00			--
0046	VTVT01050		SCREW TE M 8X30 INX UNI 5737	4,00			--
0048	LAFN05777		LEVER SOLLEVAMENTO TERGI	1,00			--
0049	VTRS13947		WASHER D. 8 INX UNI 6592	4,00			--
0050	VTDD01695		NUT M 8 INX	4,00			--
0051	VTDD01695		NUT M 8 INX	1,00			--
0052	MLML00241		SPRING BRUSH PRES. CT110-160-230	2,00			--
0053	LAFN04143		PIN FISSA MOLLA	2,00			--
0054	VTDD01695		NUT M 8 INX	2,00			--
0055	LAFN04139		SPACER SNODO TERGI	1,00			--
0056	VTVT15371		SCREW TE M 8X45 INOX A2 UNI	1,00			--
0057	VTDD01695		NUT M 8 INX	1,00			--
0058	CUVR00130		BEARING STRISCIAMENTO	1,00			--
0059	LAFN07879		BUSHING -	1,00			--
0060	CUVR00130		BEARING STRISCIAMENTO	1,00			--
0061	VTVT01701		STUD BOLT M8X90	1,00			--
0062	LAFN08809		ARTICULATION -	1,00			--
0063	CMCV00181		TIE ROD M8X100	1,00			--
0064	CMCV00001		FORK UNI 1676 M8X16	1,00			--
0065	CMCV75718		CLIP UNI 1676 M8	1,00			--
0066	LAFN11225		CONNECTING ROD	1,00			--
0067	LAFN04151		BUSHING X PARALLELOGRAMMA	2,00			--
0068	VTRS15146		WASHER GROVER A2 UNI1751	2,00			--
0069	VTVT00410		SCREW TE M8x35 UNI5739 INOX	2,00			--
0072	LAFN05769		BALANCER PER CAVI FRENO	1,00			--
0073	MTCR47037		JOINT 3/8 PER CATENA TK 1000	1,00			--
0074	VTDD15518		NUT M 6 INX	1,00			--
0075	VTRS13945		WASHER D. 6X18 INX UNI 6593	1,00			--
0076	LAFN05767		ASSEMBLED PEDALE FRENO	1,00			--
0077	LAFN04142		PIN PEDALE FRENO	1,00			--
0078	VTVT01350		SCREW M3-20 INOX	2,00			--
0079	MECI44780		MICROSWITCH IP67 OMRON D2VW-5L2A-1M	1,00			--
0080	LAFN05766		SUPPORT PEDALE CPL	1,00			--
0081	VTRS21116		WASHER D. 3 INX	4,00			--
0082	VTDD21115		NUT M 3 INOX	2,00			--
0084	VTVT00433		SCREW TE M 6X 30 UNI 5739 INX	1,00			--
0085	MLML00237		SPRING RICHIAMO PEDALE B.F. P185	1,00			--
0086	LAFN51019		PEDAL BLOCCO	1,00			--
0087	VTAE14096		SEEGER ESTERNO DIN 471 D.8	1,00			--
0088	VTRS13947		WASHER D. 8 INX UNI 6592	1,00			--
0089	VTVT01310		SCREW TCEI 8X60 INOX UNI5931	2,00			--
0090	VTRS13947		WASHER D. 8 INX UNI 6592	2,00			--
0091	MPVR45096		PEDAL COVER GRANDE V1021	1,00			--
0092	CMCV00334		CABLE 4x	1,00			--



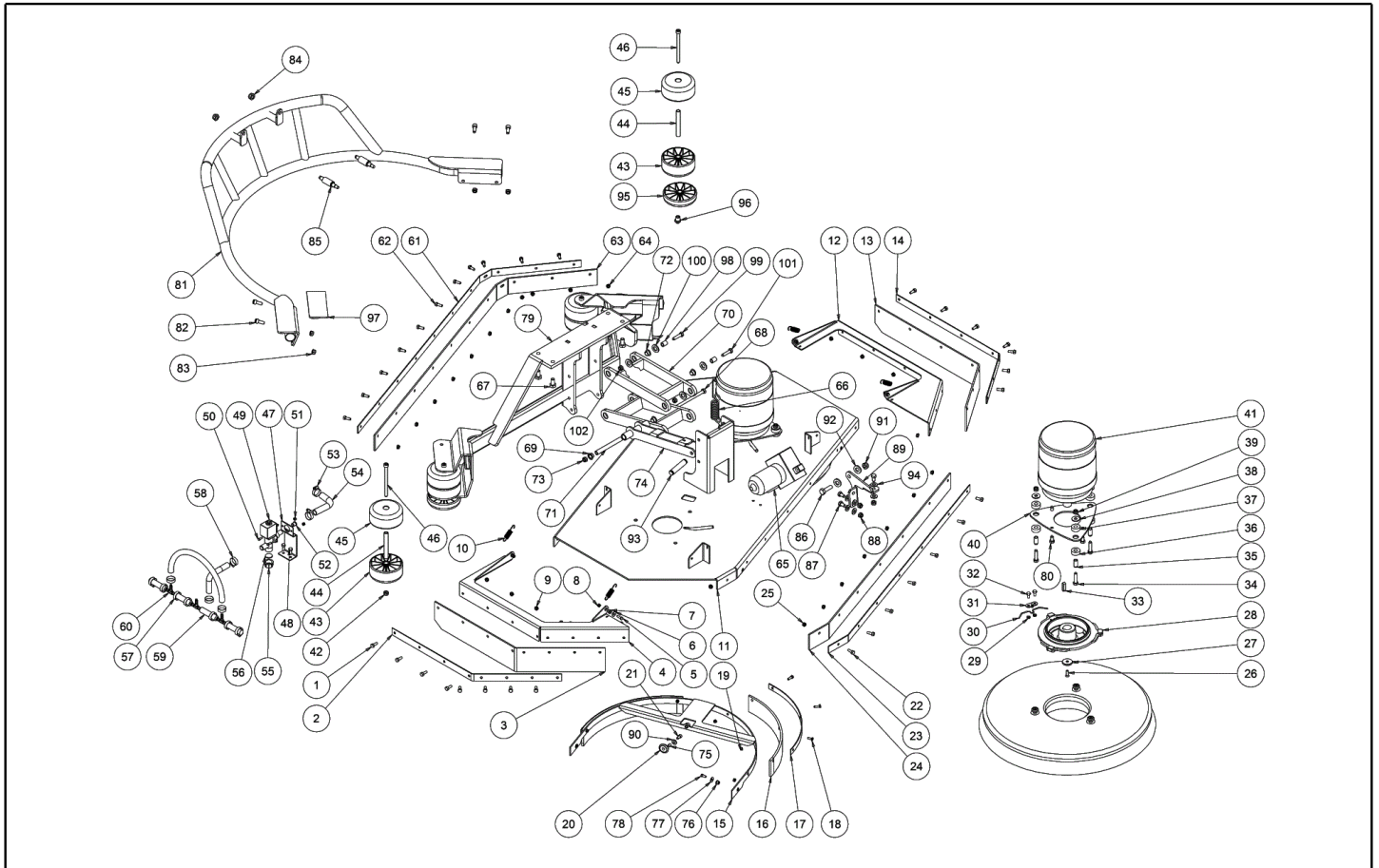
Ref. K	Part n.	Part n. 2	Description	Quantity	Validity		Price
					From	To	
0093	VTDD01695		NUT M 8 INX	1,00			--
0094	LAFN08885		SPACER -	2,00			--
0095	VTVT00708		SCREW TE M. 8-40	1,00			--
0096	MPVR05839		KNOB -	1,00			--
0097	LAFN04157		BUSHING SNODO FINALE	2,00			--
0098	VTVT01317		SCREW M 5X 12 TSPEI UNI 5933	2,00			--
0099	LAFN09239		SPACER CT230	1,00			--
0100	RCDS34717		BUSHING D. 9X12X 8.3	2,00			--
0101	LAFN43369		SPACER D. 9-12 L= 16	2,00			--
0102	LAFN08907		SPACER 12-8	4,00			--



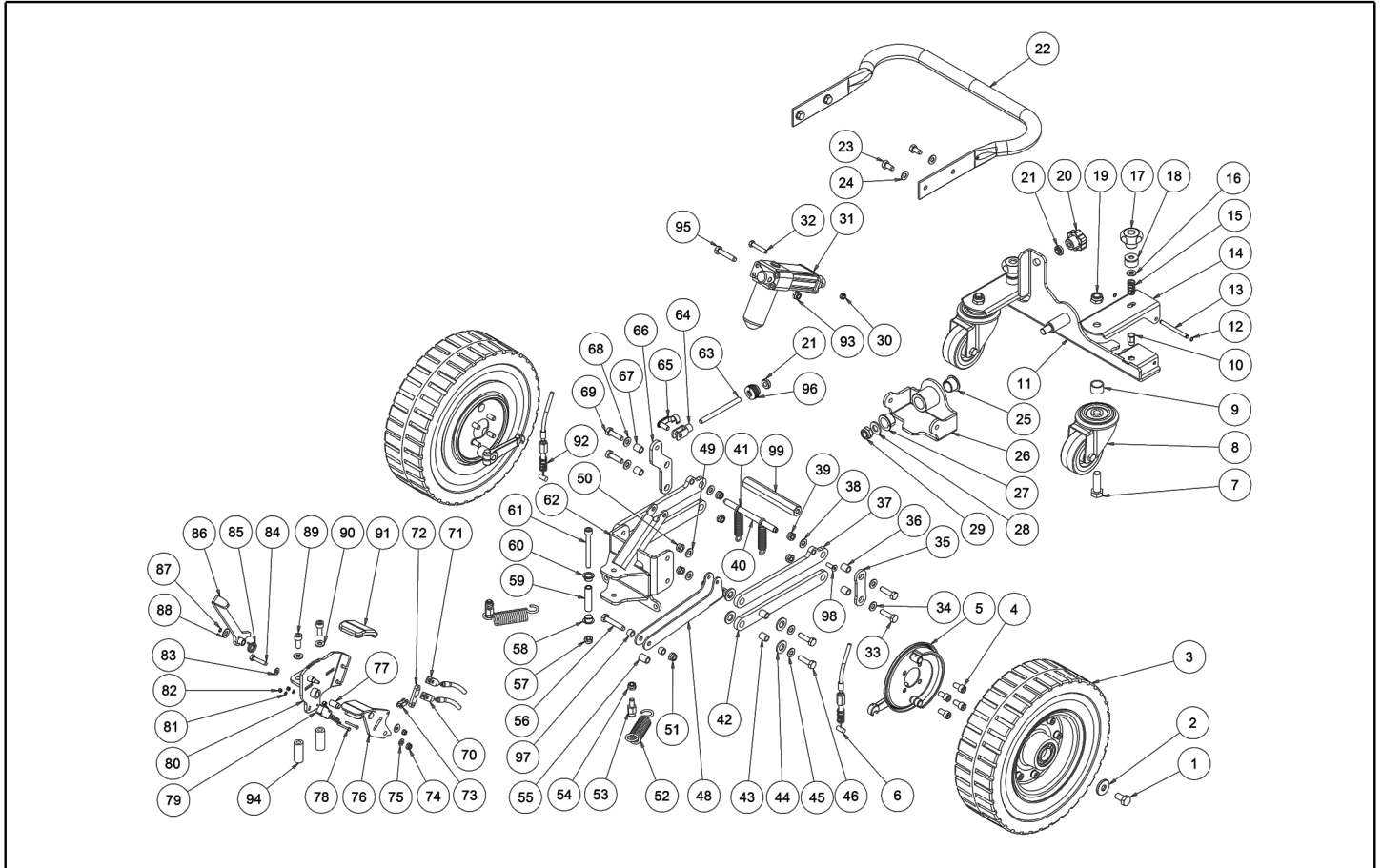
Ref. K	Part n.	Part n. 2	Description	Quantity	Validity		Price
					From	To	
0001	VTVT15143		SCREW TE 6X16 UNI5739	15,00			--
0002	LAFN07005		BRACKET -	1,00			--
0003	MPVR05037		FLAP	1,00			--
0004	LAFN07013		PLANE -	1,00			--
0005	VTVT07725		SCREW TE 5X16 UNI5739 INX	4,00			--
0006	VTRS13750		WASHER D. 5X14 INX	4,00			--
0007	CUVR00140		BUSHING DI CENTRAGGIO SPAZZOLE	4,00			--
0008	VTDD01693		NUT M 5 INX	4,00			--
0009	VTDD01694		NUT M6 INOX	15,00			--
0010	MLML02801		SPRING FLAP LATER.	4,00			--
0011	LAFN06988		SUPPORT -	1,00			--
0012	LAFN07012		PLANE -	1,00			--
0013	MPVR05038		FLAP	1,00			--
0014	LAFN07006		BRACKET -	1,00			--
0015	LAFN06989		SUPPORT -	2,00			--
0016	MPVR05034		FLAP	4,00			--
0017	LAFN07002		BRACKET -	4,00			--
0018	VTVT07725		SCREW TE 5X16 UNI5739 INX	12,00			--
0019	VTDD01693		NUT M 5 INX	12,00			--
0020	CUVR00184		BEARING -	2,00			--
0021	VTVT00717		SCREW TCEI M. 6-16	2,00			--
0022	VTVT15143		SCREW TE 6X16 UNI5739	7,00			--
0023	LAFN07003		BRACKET -	1,00			--
0024	MPVR05035		FLAP	1,00			--
0025	VTDD01694		NUT M6 INOX	7,00			--
0026	VTVT13940		SCREW M 6X 20 TSPEI UNI 5933	2,00			--
0027	LAFN04146		WASHER FISSA PIATTI	2,00			--
0028	MFVR00139		DRIVE DISK ALUMINIUM CT160	2,00			--
0029	LAFN04140		SPACER X MOLLA	4,00			--
0030	MLML00240		SPRING SPRING RETAINER CT160-230	2,00			--
0031	LAFN05797		PLATE FERMO MOLLA	2,00			--
0032	VTVT15906		SCREW TE 6X 12 A2 UNI 5739	4,00			--
0033	VTVR14052		KEY 8X 7X30 UNI 6604A	2,00			--
0034	VTVT00410		SCREW TE M8x35 UNI5739 INOX	6,00			--
0035	LAFN04141		PIN PIASTRA MOTORE	6,00			--
0036	GUGO00264		WASHER ELASTOMERO	6,00			--
0037	GUGO00264		WASHER ELASTOMERO	6,00			--
0038	VTRS16323		WASHER D. 8 X32 UNI 6593 INX	6,00			--
0039	VTDD01695		NUT M 8 INX	6,00			--
0040	LAFN05785		FLANGE PORTAMOTORE	2,00			--
0041	MOCC00195		MOTOR BRUSH P5 36V 550W	2,00			--
0042	VTDD01695		NUT M 8 INX	5,00			--
0043	RTRT00510		WHEEL BUMPER RAL7040	5,00			--
0044	LAFN04127		PIN RULLO PARACOLPI	5,00			--



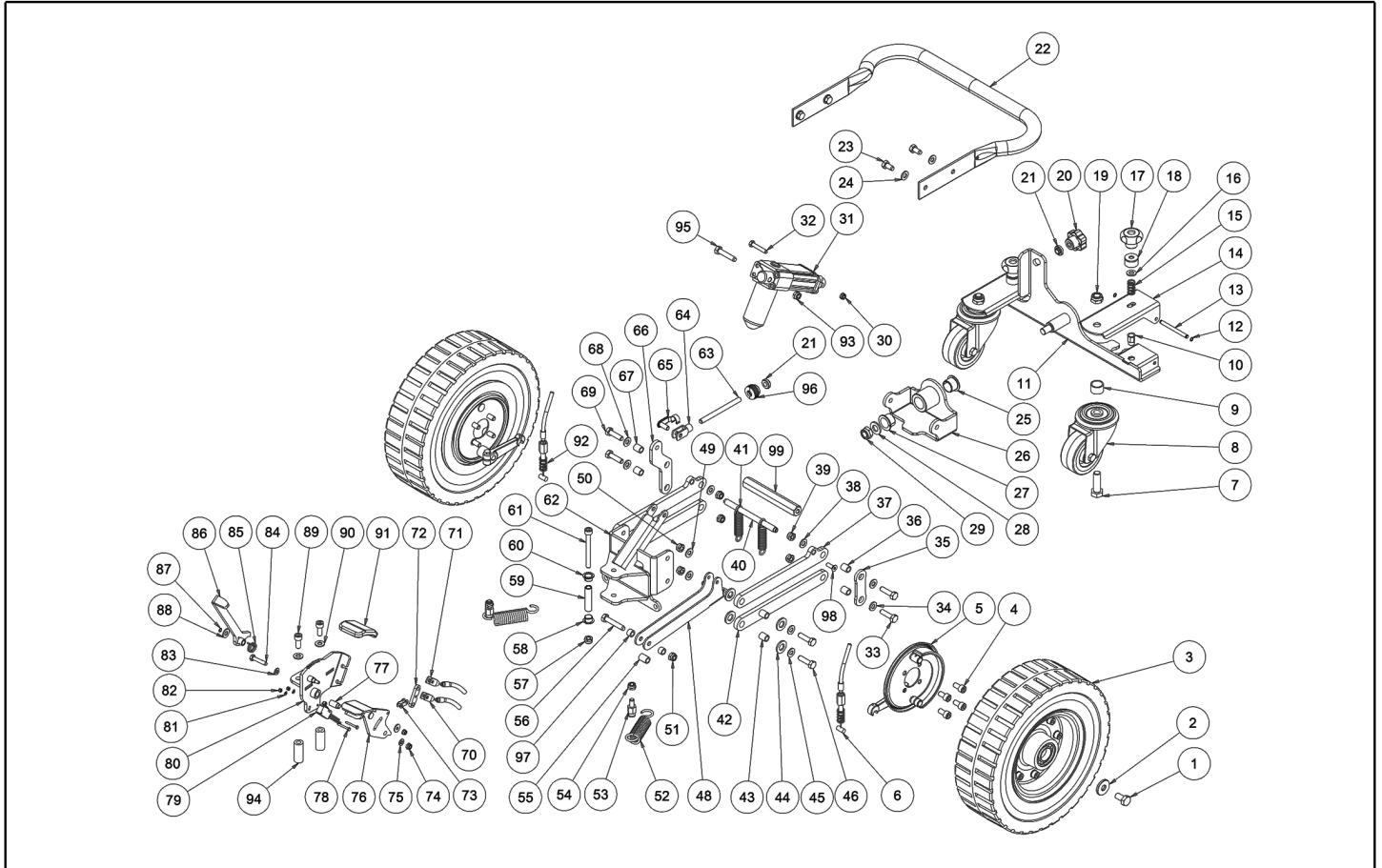
Ref. K	Part n.	Part n. 2	Description	Quantity	Validity		Price
					From	To	
0045	RTRT00510		WHEEL BUMPER RAL7040	5,00			--
0046	VTVT67560		SCREW TCEI M8X110 INOX AISI 304	5,00			--
0047	LAFN05835		BRACKET PORTAELETTROVALVOLA	1,00			--
0048	VTVT15143		SCREW TE 6X16 UNI5739	2,00			--
0049	MEEV00021		SOLENOID VALVE RIF. D160SS10/K/20Z	1,00		10/10/2011	--
0049	MEEV00043		SOLENOID VALVE	1,00	11/10/2011		--
0050	VTVT00817		SCREW TE M4X12 UNI 5739 INOX	2,00			--
0051	VTDD00147		NUT M 4 INX U.5588	2,00			--
0052	MPVR02897		REDUCTION D.10-6.5 PER ELETTROVALV.	1,00		15/05/2011	--
0053	FSVR00096		CLAMP 10-16 INOX	4,00			--
0054	TBFX48011		TUBE FLEX D.12X3 ARMORV.PVC TR	0,50			--
0055	RCVR00353		CAP 1/2"G X ELETTROV. ACL	1,00		10/10/2011	--
0056	GUGO00268		GASKET D.21 SP.3 GOMMA	1,00		10/10/2011	--
0057	FSVR00255		CLAMP -	1,00			--
0058	FSVR00255		CLAMP -	3,00			--
0059	TBBP00146			0,50			--
0060	RCVR00483		CONNECTOR 3 VIE	3,00			--
0061	LAFN07004		BRACKET -	1,00			--
0062	VTVT15143		SCREW TE 6X16 UNI5739	11,00			--
0063	MPVR05036		FLAP	1,00			--
0064	VTDD01694		NUT M6 INOX	11,00			--
0065	MOCC00388		ACTUATOR BRUSH HEAD 36V 1500N	1,00			--
0066	MLML00241		SPRING BRUSH PRES. CT110-160-230	1,00			--
0067	VTVT13936		SCREW TE M 10X 20	4,00			--
0068	VTVT01159		SCREW M8x130	1,00			--
0069	CUVR00130		BEARING STRISCIAMENTO	2,00			--
0070	LAFN08801		ARM -	2,00		10/07/2012	--
0070	LAFN07958		BRACKET BRUSH HEAD ACTUATOR CT230	2,00	11/07/2012		--
0071	LAFN07878		BUSHING -	1,00			--
0072	CUVR00130		BEARING STRISCIAMENTO	8,00			--
0073	VTDD01695		NUT M 8 INX	1,00			--
0074	LAFN08802		ARM -	1,00			--
0075	LAFN03840		BUSHING	2,00			--
0076	CUVR00140		BUSHING DI CENTRAGGIO SPAZZOLE	4,00			--
0077	VTRS13750		WASHER D. 5X14 INX	4,00			--
0078	VTVT01300		SCREW TE M5X12 INOX	4,00			--
0079	LAFN06990		BRACKET ROLL BAR	1,00			--
0080	VTVT15916		SCREW TE M 8X 16 UNI 5739 A2	8,00			--
0081	LAFN07870		BUMPER -	1,00			--
0082	VTVT13944		SCREW TCEI M 8X20 UNI 5931 INX	4,00			--
0083	VTDD01695		NUT M 8 INX	4,00			--
0084	VTDD15519		NUT M10 INOX	2,00			--
0085	LAFN07871		BRACKET -	2,00			--
0086	VTVT01541		SCREW TE M 10x30 INOX UNI5739	1,00			--



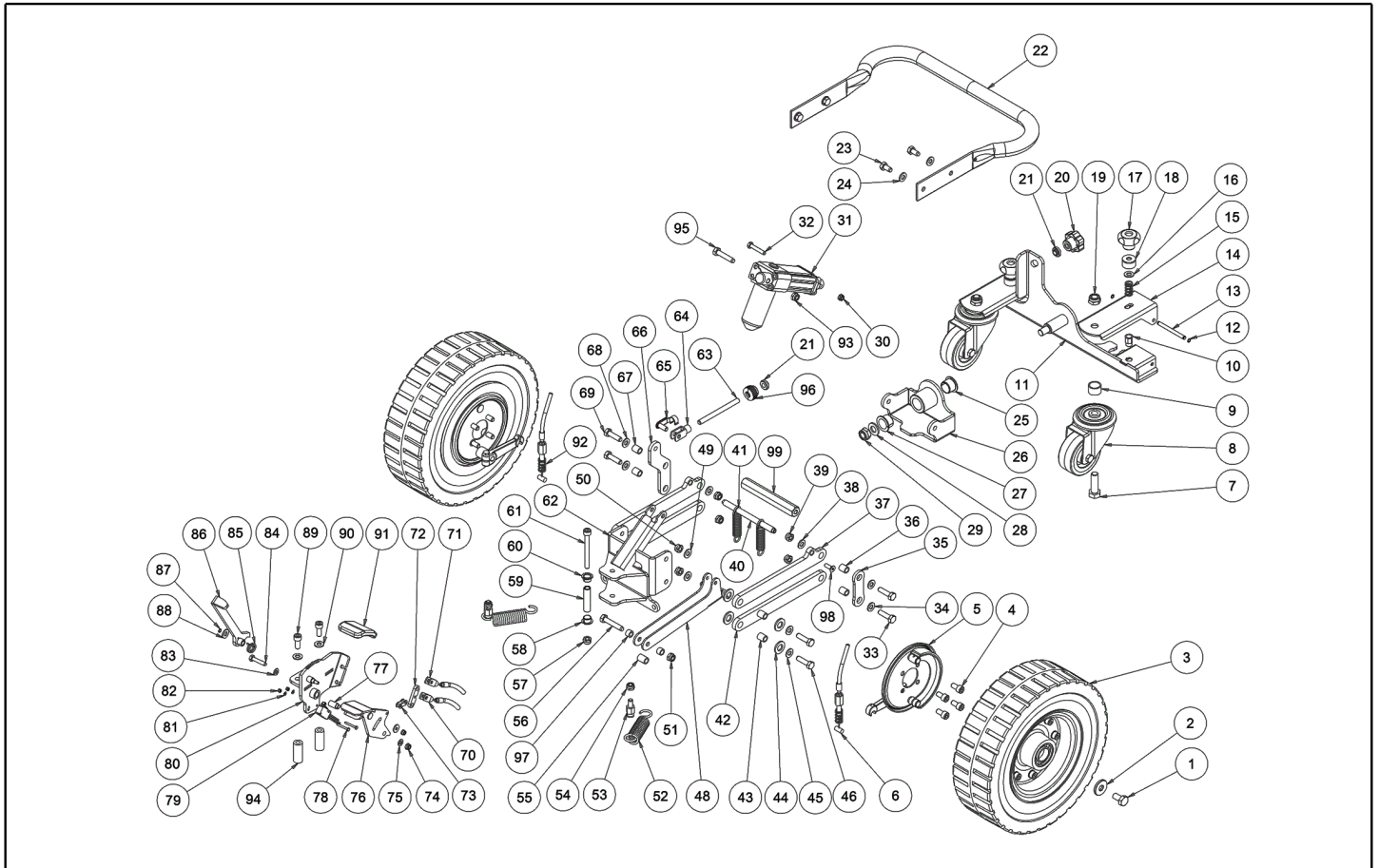
Ref. K	Part n.	Part n. 2	Description	Quantity	Validity		Price
					From	To	
0087	VTVT15907		SCREW TE 8X25 UNI5739 INX	3,00			--
0088	VTDD01695		NUT M 8 INX	3,00			--
0089	LAFN07877		BRACKET -	1,00			--
0090	VTRS00245		WASHER D.6 UNI 6592 INOX	2,00			--
0091	VTDD10310		NUT AUTOBL.M10 INOX DIN 985	1,00			--
0092	VTRS15523		WASHER D.10 X21 INOX UNI 6592	2,00			--
0093	LAFN51065		PIN INFER.ATTUAT.TEST.	1,00			--
0094	VTRS13947		WASHER D. 8 INX UNI 6592	6,00			--
0095	MPVR05290		ROLLER SIDE BUMPER WHEEL	2,00			--
0096	LAFN09007		PIN -	2,00			--
0097	MPVR00866		PLANE ANTISDRUCCIOLO G1050	2,00			--
0098	LAFN08907		SPACER 12-8	8,00	11/07/2012		--
0099	VTVT00410		SCREW TE M8x35 UNI5739 INOX	4,00	11/07/2012		--
0100	VTRS15978		WASHER D.12X24 UNI 6592 INX	16,00	11/07/2012		--
0101	VTVT13937		SCREW TE M 8X 30 INX UNI 5739	4,00	11/07/2012		--
0102	VTDD01695		NUT M 8 INX	8,00	11/07/2012		--



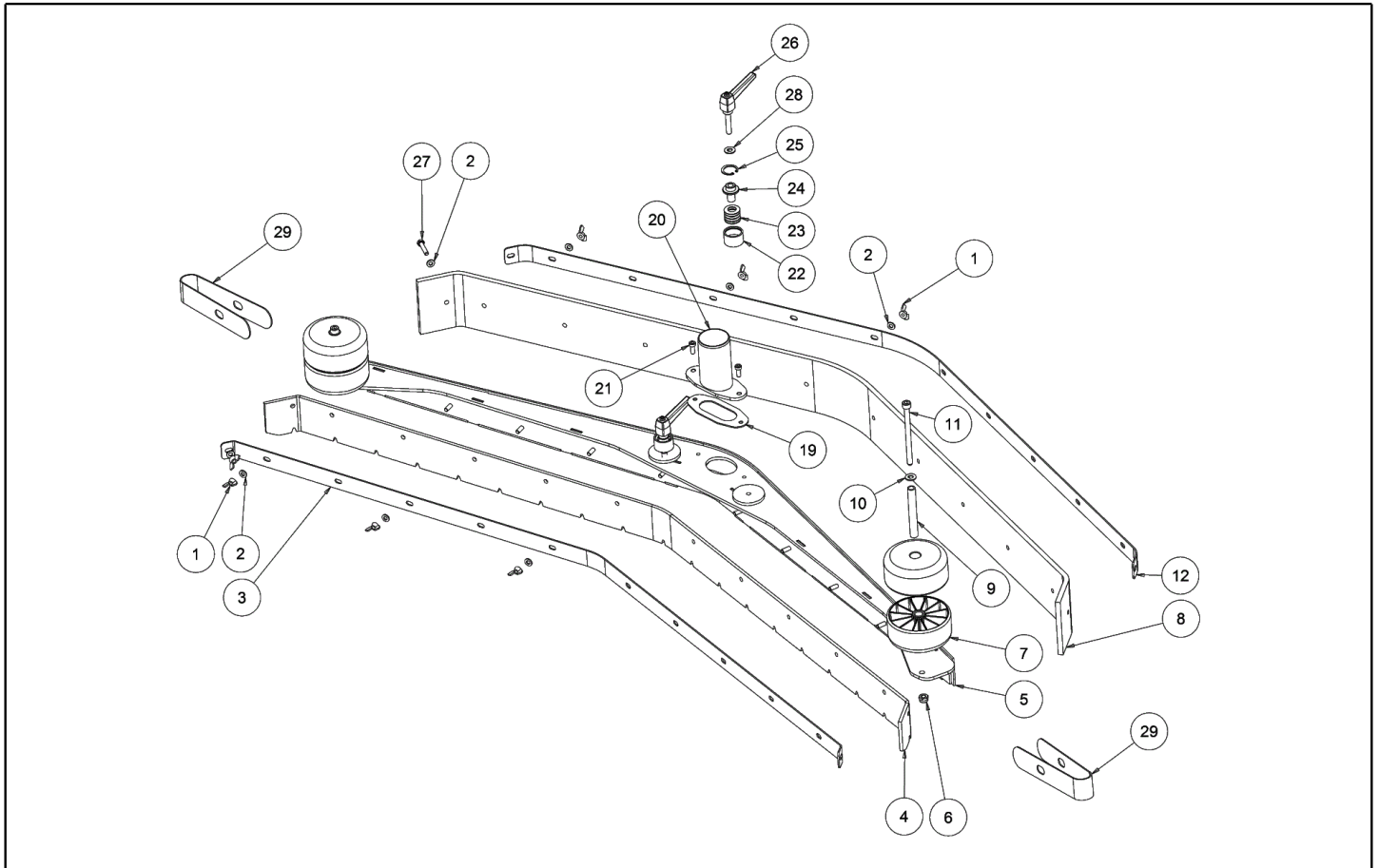
Ref. K	Part n.	Part n. 2	Description	Quantity	Validity		Price
					From	To	
0001	VTVT13936		SCREW TE M 10X 20	2,00			--
0002	LAFN04144		WASHER RUOTE POSTERIORI	2,00			--
0003	RTRT00538		WHEEL REAR 4.00-6 PU CT230	2,00			--
0004	VTVT00876		SCREW TCEI M.8-16	8,00			--
0005	RTRT45090		BRAKE PORTACEPPO D.125 TK1400	2,00			--
0006	CMCV00335		CABLE 4x	1,00			--
0007	VTVT28885		SCREW TE M 12X 50 UNI 5739 INOX	2,00			--
0008	RTRT00396		WHEEL -	2,00		30/01/2014	--
0008	RTRT00518		WHEEL CASTOR D.80X30	2,00	31/01/2014		--
0009	LAFN09002		THICKNESS -	2,00			--
0010	VTVR00022		INSERT FILETTATO ESAGONALE M8	2,00			--
0011	LAFN08810		SUPPORT -	1,00			--
0012	VTAE48552		CIRCLIP ESTERNO DIN 471 D.6	4,00			--
0013	LAFN04150		PIN BRACCIO RUOTA TERGI P185	2,00			--
0014	LAFN08993		ARM PORTARUOTA TERGI P185	2,00			--
0015	MLML00239		SPRING PER RUOTE TERGI P185	2,00			--
0016	VTRS13947		WASHER D. 8 INX UNI 6592	2,00			--
0017	VTVR35378		HANDWHEEL F 8MAX20 D.40	2,00			--
0018	ABGO00042		VIBRATION DAMP. SQUEEGEE CASTORS CT160	2,00			--
0019	VTDD00176		NUT M.12 INOX A2 BASSO AUTOB.	2,00			--
0020	VTVT00207		HANDWHEEL M8	1,00			--
0021	LAFN08811		BUSHING -	2,00			--
0022	LAFN06275		TUBE ROLL BAR POSTER.CLT160	1,00			--
0023	VTVT15916		SCREW TE M 8X 16 UNI 5739 A2	4,00			--
0024	VTRS13947		WASHER D. 8 INX UNI 6592	4,00			--
0025	CUVR44216		BUSHING CB 85 2015 31T	1,00			--
0026	LAFN08812		BRACKET -	1,00			--
0027	CUVR44216		BUSHING CB 85 2015 31T	1,00			--
0028	VTRS15978		WASHER D.12X24 UNI 6592 INX	1,00			--
0029	VTDD00176		NUT M.12 INOX A2 BASSO AUTOB.	1,00			--
0030	VTDD01694		NUT M6 INOX	1,00			--
0031	MOCC00394		ACTUATOR SQUEEGEE CT160-230 36V	1,00			--
0032	VTVT00433		SCREW TE M 6X 30 UNI 5739 INX	1,00			--
0033	VTVT13937		SCREW TE M 8X 30 INX UNI 5739	2,00			--
0034	VTRS13947		WASHER D. 8 INX UNI 6592	2,00			--
0035	LAFN08806		CONNECTING ROD -	1,00			--
0036	LAFN04151		BUSHING X PARALLELOGRAMMA	2,00			--
0037	LAFN08804		SPACER -	2,00			--
0038	VTRS13947		WASHER D. 8 INX UNI 6592	2,00			--
0039	VTDD01695		NUT M 8 INX	2,00			--
0040	LAFN08808		PIN -	1,00			--
0041	MLML00022		SPRING GANCIO ARPIONE	2,00			--
0042	LAFN08805		ARM -	2,00			--
0043	LAFN04151		BUSHING X PARALLELOGRAMMA	4,00			--



Ref. K	Part n.	Part n. 2	Description	Quantity	Validity		Price
					From	To	
0044	VTRS15978		WASHER D.12X24 UNI 6592 INX	8,00			--
0045	VTRS13947		WASHER D. 8 INX UNI 6592	4,00			--
0046	VTVT01050		SCREW TE M 8X30 INX UNI 5737	4,00			--
0048	LAFN05777		LEVER SOLLEVAMENTO TERGI	1,00			--
0049	VTRS13947		WASHER D. 8 INX UNI 6592	4,00			--
0050	VTDD01695		NUT M 8 INX	4,00			--
0051	VTDD01695		NUT M 8 INX	1,00			--
0052	MLML00241		SPRING BRUSH PRES. CT110-160-230	2,00			--
0053	LAFN04143		PIN FISSA MOLLA	2,00			--
0054	VTDD01695		NUT M 8 INX	2,00			--
0055	LAFN04139		SPACER SNODO TERGI	1,00			--
0056	VTVT15371		SCREW TE M 8X45 INOX A2 UNI	1,00			--
0057	VTDD01695		NUT M 8 INX	1,00			--
0058	CUVR00130		BEARING STRISCIAMENTO	1,00			--
0059	LAFN07879		BUSHING -	1,00			--
0060	CUVR00130		BEARING STRISCIAMENTO	1,00			--
0061	VTVT01148		SCREW TCEI M8X70	1,00		14/04/2014	--
0061	VTVT01701		STUD BOLT M8X90	1,00	15/04/2014		--
0062	LAFN08809		ARTICULATION -	1,00			--
0063	CMCV00181		TIE ROD M8X100	1,00			--
0064	CMCV00001		FORK UNI 1676 M8X16	1,00			--
0065	CMCV75718		CLIP UNI 1676 M8	1,00			--
0066	LAFN08807		CONNECTING ROD -	1,00			--
0067	LAFN04151		BUSHING X PARALLELOGRAMMA	2,00			--
0068	VTRS15146		WASHER GROVER A2 UNI1751	2,00			--
0069	VTVT00410		SCREW TE M8x35 UNI5739 INOX	2,00			--
0072	LAFN05769		BALANCER PER CAVI FRENO	1,00			--
0073	MTCR47037		JOINT 3/8 PER CATENA TK 1000	1,00			--
0074	VTDD15518		NUT M 6 INX	1,00			--
0075	VTRS13945		WASHER D. 6X18 INX UNI 6593	1,00			--
0076	LAFN05767		ASSEMBLED PEDALE FRENO	1,00			--
0077	LAFN04142		PIN PEDALE FRENO	1,00			--
0078	VTVT01350		SCREW M3-20 INOX	2,00			--
0079	MECI44780		MICROSWITCH IP67 OMRON D2VW-5L2A-1M	1,00			--
0080	LAFN05766		SUPPORT PEDALE CPL	1,00			--
0081	VTRS21116		WASHER D. 3 INX	4,00			--
0082	VTDD21115		NUT M 3 INOX	2,00			--
0084	VTVT00433		SCREW TE M 6X 30 UNI 5739 INX	1,00			--
0085	MLML00237		SPRING RICHIAMO PEDALE B.F. P185	1,00			--
0086	LAFN51019		PEDAL BLOCCO	1,00			--
0087	VTAE14096		SEEGER ESTERNO DIN 471 D.8	1,00			--
0088	VTRS13947		WASHER D. 8 INX UNI 6592	1,00			--
0089	VTVT01310		SCREW TCEI 8X60 INOX UNI5931	2,00			--
0090	VTRS13947		WASHER D. 8 INX UNI 6592	2,00			--



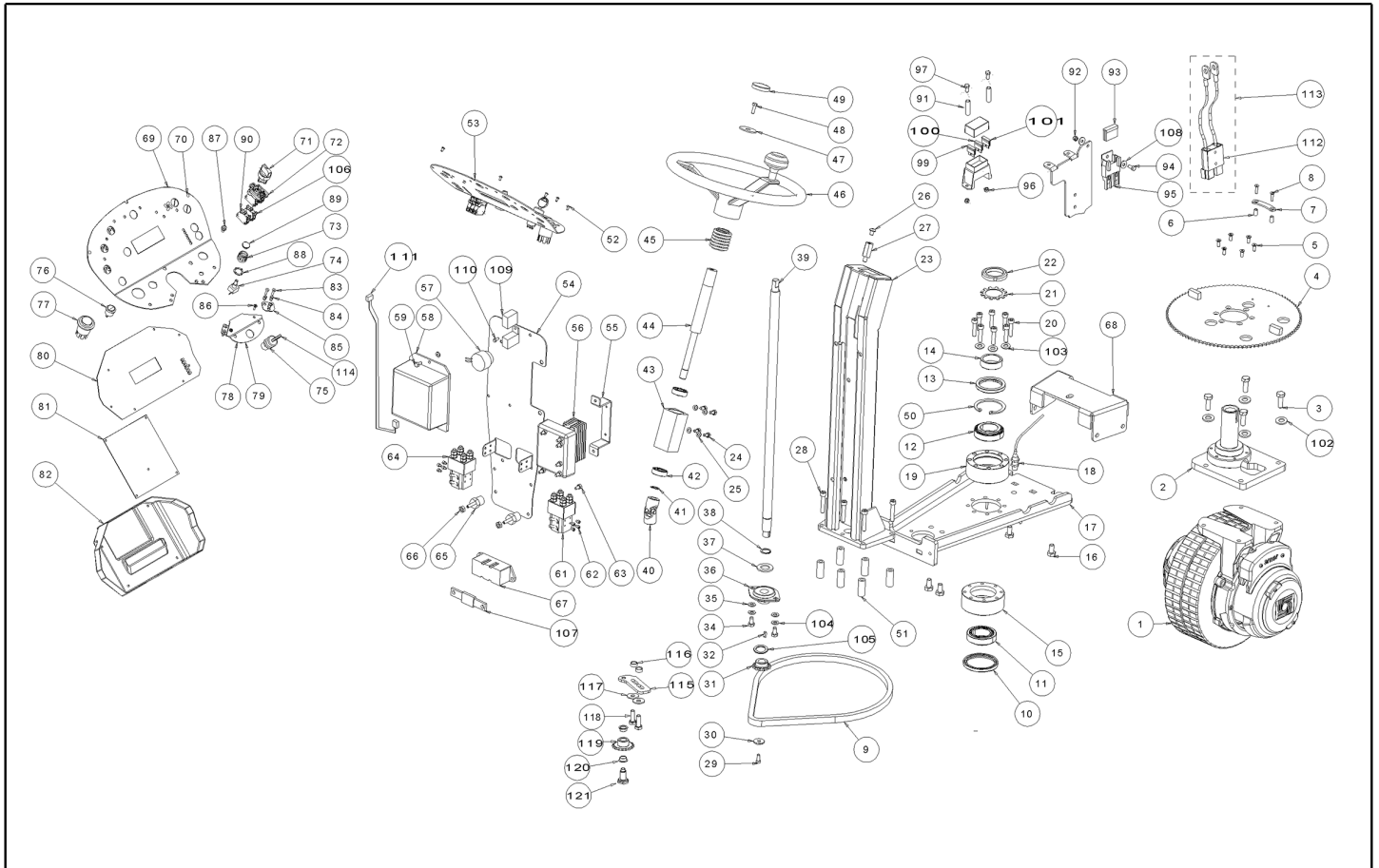
Ref. K	Part n.	Part n. 2	Description	Quantity	Validity		Price
					From	To	
0091	MPVR45096		PEDAL COVER GRANDE V1021	1,00			--
0092	CMCV00334		CABLE 4x	1,00			--
0092	VTVT00708		SCREW TE M. 8-40	1,00			--
0093	VTDD01695		NUT M 8 INX	1,00			--
0094	LAFN08885		SPACER -	2,00			--
0095	VTVT00708		SCREW TE M. 8-40	1,00			--
0096	MPVR05839		KNOB -	1,00			--
0097	LAFN04157		BUSHING SNODO FINALE	2,00			--
0098	VTVT01317		SCREW M 5X 12 TSPEI UNI 5933	2,00			--
0099	LAFN09239		SPACER CT230	1,00	18/12/2012		--



Ref. K	Part n.	Part n. 2	Description	Quantity	Validity		Price
					From	To	
0001	VTDD00171		NUT M6 INOX	14,00			--
0002	VTRS00245		WASHER D.6 UNI 6592 INOX	16,00			--
0003	LAFN08930		BRACKET -	1,00			--
0004	MPVR05885		BLADE SQUEEGEE FRONT CT230-1420	1,00			--
0005	LAFN08929		FLOOR WIPER -	1,00			--
0006	VTDD01695		NUT M 8 INX	2,00			--
0007	RTRT00510		WHEEL BUMPER RAL7040	4,00			--
0008	MPVR05886		BLADE SQUEEGEE REAR LATEX CT230	1,00			--
0009	LAFN04127		PIN RULLO PARACOLPI	2,00			--
0010	VTRS13946		WASHER D. 8 X24 INX UNI 6593	2,00			--
0011	VTVT67560		SCREW TCEI M8X110 INOX AISI 304	2,00			--
0012	LAFN08931		BRACKET -	1,00			--
0019	GUGO06700		GASKET SQUEEGEE	1,00			--
0020	LAFN08938		CONNECTOR -	1,00			--
0021	VTVT00717		SCREW TCEI M. 6-16	2,00			--
0022	LAFN04137		CONTAINER MOLLE A TAZZA	2,00			--
0023	MLML00245		SPRING A TAZZA	12,00			--
0024	LAFN04121		PIN MOLLE A TAZZA	2,00			--
0025	VTAE13513		CIRCLIP D. 26 UNI 7437	2,00			--
0026	CHVR00500		HANDLE A RIPRESA M8x40	2,00			--
0027	VTVT00433		SCREW TE M 6X 30 UNI 5739 INX	2,00			--
0028	VTRS13947		WASHER D. 8 INX UNI 6592	2,00			--
0029	MPVR06002		DUCT LOCK FLAP CT230	2,00			--

Table: TRACTION MOTOR

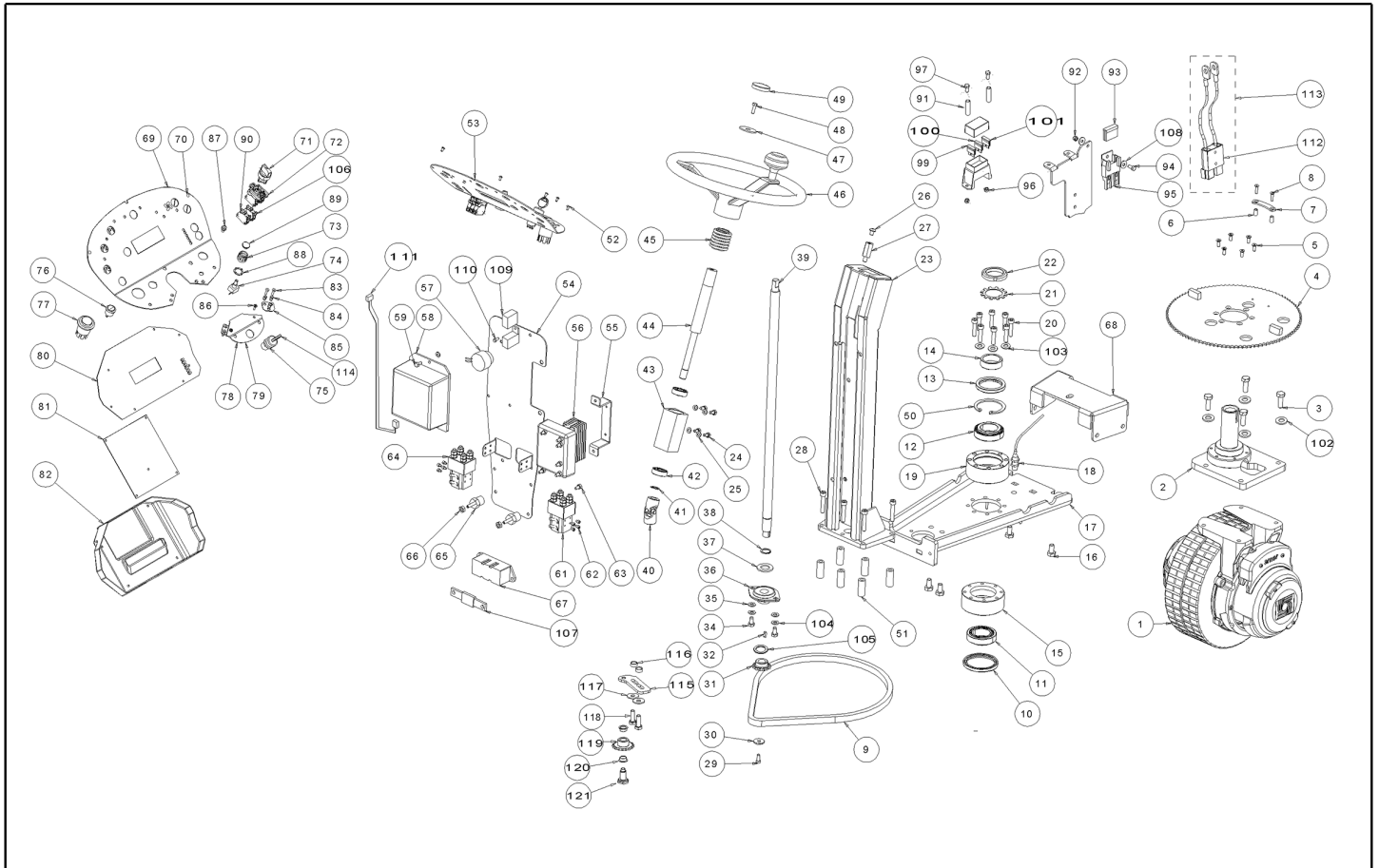
Progressive number: 1



Ref. K	Part n.	Part n. 2	Description	Quantity	Validity		Price
					From	To	
0001	MOCC00385		MOTORWHEEL 36V 1100 W D.300	1,00			--
0001	MOCC00407		MOTOR ELECTRIC TRAC.-WHEEL 230	1,00			--
0001	MEVR34439		CARBON 10X18X19	4,00			--
0001	RTRT00442		WHEEL PU BLUE CT230 300x100	1,00			--
0002	LAFN06994		SPACER -	1,00			--
0003	VTVT01541		SCREW TE M 10x30 INOX UNI5739	4,00			--
0004	LAFN06995		BRAKE -	1,00			--
0005	VTVT13940		SCREW M 6X 20 TSPEI UNI 5933	6,00			--
0006	LAFN03742		SPACER SILENZIATORE	2,00			--
0007	LAFN08836		BRACKET -	1,00			--
0008	VTVT15962		SCREW M 5X 25 TSPEI UNI 5933	2,00			--
0009	MTCR00085		CHAIN 3/8"	1,00			--
0010	PVVR00044		GASKET	1,00			--
0011	CUVR00187		BEARING -	1,00			--
0012	CUVR00187		BEARING -	1,00			--
0013	PVVR00045		GASKET	1,00			--
0014	LAFN08828		BUSHING -	1,00			--
0015	LAFN08830		BUSHING -	1,00			--
0016	VTVT13936		SCREW TE M 10X 20	4,00			--
0017	LAFN06993		PLATE -	1,00			--
0018	MECI00535		SENSOR -	1,00			--
0019	LAFN08829		RING -	1,00			--
0020	VTVT01310		SCREW TCEI 8X60 INOX UNI5931	8,00			--
0021	VTRS00572		WASHER -	1,00			--
0022	VTVR00563		RING NUT -	1,00			--
0023	LAFN05787		ASSEMBLED PIANTONE	1,00			--
0024	VTVT15906		SCREW TE 6X 12 A2 UNI 5739	4,00			--
0025	VTRS00245		WASHER D.6 UNI 6592 INOX	4,00			--
0026	VTVT47025		SCREW TBCE ISO 7380 10X16 ZB	1,00			--
0027	LAFN00474		PIN FISS.COFANURE SIRIO L.45	1,00			--
0028	VTVT01310		SCREW TCEI 8X60 INOX UNI5931	6,00			--
0029	VTVT00717		SCREW TCEI M. 6-16	1,00			--
0030	LAFN04134		WASHER PIGNONE STERZO	1,00			--
0031	MTCR00070		PINION ALBERO STERZO P185	1,00			--
0032	VTVR00229		KEY 5X5X12	1,00			--
0034	VTVT15916		SCREW TE M 8X 16 UNI 5739 A2	2,00			--
0035	VTRS13947		WASHER D. 8 INX UNI 6592	2,00			--
0036	CUVR00105		BEARING SB204KDF+PFL204PTN	1,00			--
0037	LAFN07029		SPACER -	1,00			--
0038	VTAE06193		CIRCLIP D. 20 UNI 7435	1,00			--
0039	LAFN08820		SHAFT -	1,00			--
0040	VTVR00057		ARTICULATION STEERING	1,00			--
0041	VTAE17003		CIRCLIP ESTERNO DIN 471 D.15	1,00			--
0042	CUVR17004		BALL BEARING 6202 -2RS1	2,00			--

Table: TRACTION MOTOR

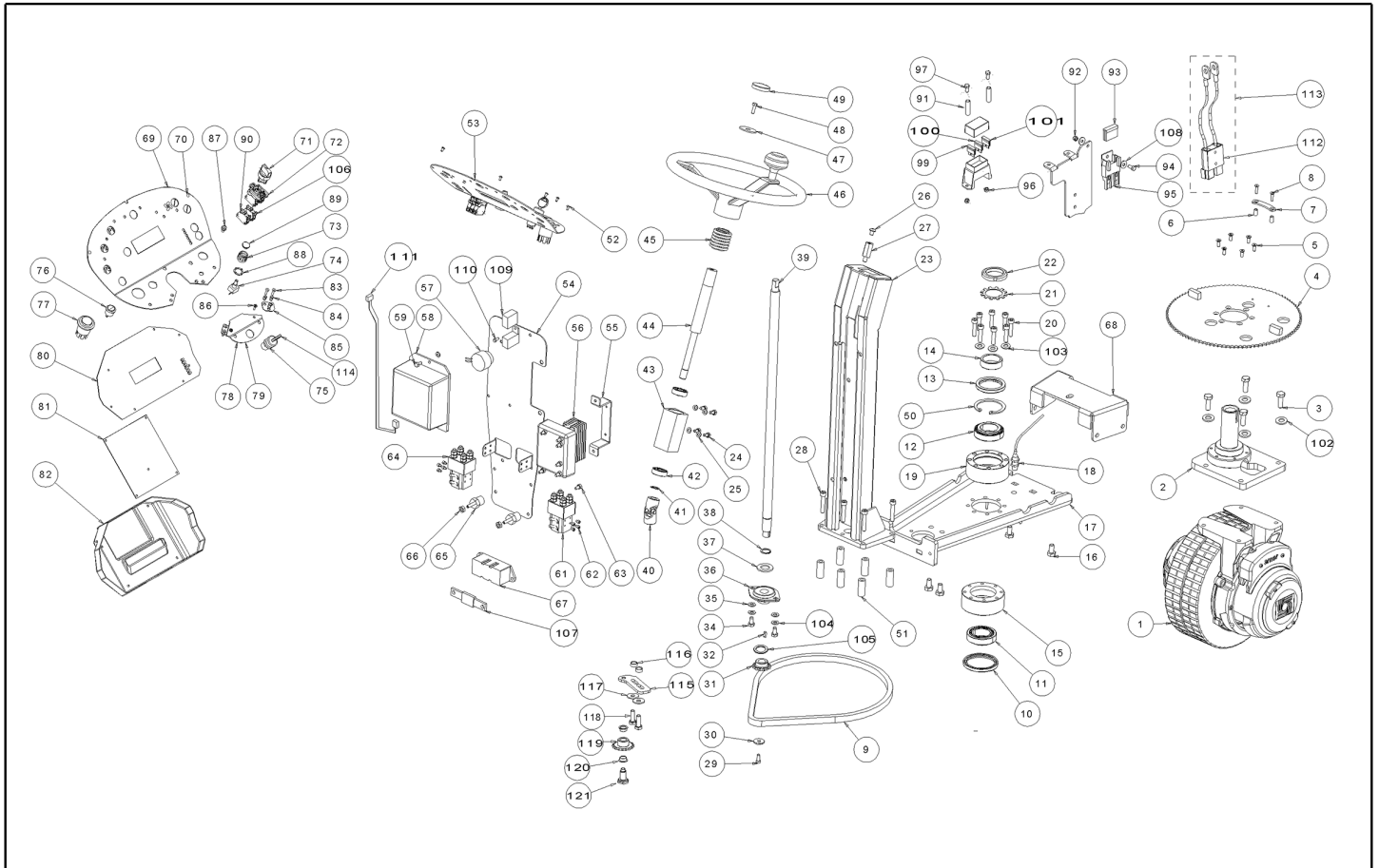
Progressive number: 1



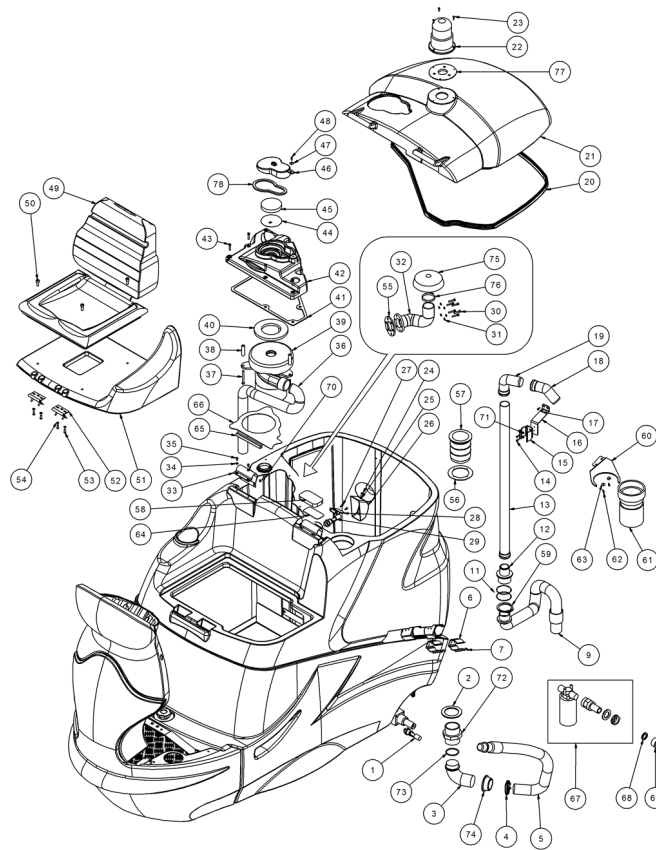
Ref. K	Part n.	Part n. 2	Description	Quantity	Validity		Price
					From	To	
0043	LAFN04133		HUB ALBERO STERZO	1,00			--
0044	LAFN04076		SHAFT STERZO SUPERIORE P185	1,00			--
0045	MPVR51068		PROTECTOR STEERING	1,00			--
0046	MPVR01517		STEERING WHEEL	1,00			--
0047	VTRS44254		WASHER UNI 6593 10X40X2,5 ZB	1,00			--
0048	VTVT47025		SCREW TBCE ISO 7380 10X16 ZB	1,00			--
0049	MPVR47026		CAP PER VOLANTE	1,00			--
0050	VTAE00081		CIRCLIP -	1,00			--
0051	LAFN08885		SPACER -	6,00			--
0052	VTVT00881		SCREW TC+ M4x6 TRILOBATA INOX	4,00			--
0053	MECE00522		BOARD PANEL CT160-CT230 CURTIS	1,00			--
0054	LAFN08876		SUPPORT -	1,00			--
0055	LAFN08877		SUPPORT -	1,00			--
0056	MECE00526		BOARD POWER SERVICE CT160-CT230	1,00			--
0057	MEVR01436		BUZZER -	1,00			--
0058	MECE00525		BOARD TRACTION CURTIS 36V 160A	1,00			--
0059	VTVT07725		SCREW TE 5X16 UNI5739 INX	3,00			--
0061	METT00086		CONTACTOR 100A	1,00			--
0062	VTVT21096		SCREW TE M 4X 10 INX	8,00			--
0063	VTVT15906		SCREW TE 6X 12 A2 UNI 5739	2,00			--
0064	METT00086		CONTACTOR 100A	1,00			--
0065	MEVR47082		INSULATOR MM35 M6 CH 32	2,00			--
0067	MEVR00146		FUSE-HOLDER MEGA	1,00			--
0068	LAFN08813		PLATE -	1,00			--
0069	ETET01663		LABEL -	1,00			--
0070	LAFN08851		SUPPORT -	1,00			--
0071	MEVR02011		SELECTOR -	1,00			--
0072	MEVR02038		SUPPORT -	1,00			--
0073	MEVR01575		CAP 2202	1,00			--
0074	KTRI05576		KIT POTENTIOMETER SPEED CONTR	1,00			--
0075	MECI75805		SWITCH KEY FOR BATTERY MACHINES	1,00			--
0076	MECI00556		SWITCH -	1,00			--
0077	MECI00028		SWITCH EMERGENCY 24V - RED	1,00			--
0078	ETET01664		LABEL -	1,00			--
0079	LAFN08869		SUPPORT -	1,00			--
0080	MECE00531		BOARD DISPLAY CT160-CT230	1,00			--
0081	MECE00532		BOARD LOGIC CT160-CT230 CURTIS	1,00			--
0082	MPVR05840		COVER -	1,00			--
0083	VTVT16939		SCREW M 4X 16 TSPEI UNI 5933	4,00			--
0084	VTVR00306		INSERT FILETTATO ESAGONALE M5	6,00			--
0085	LAFN08870		BRACKET -	2,00			--
0086	VTVT15965		SCREW TCB-TC 4X12 UNI7687 INX	2,00			--
0087	MEVR01974		LED DIAGNOSTIC CURTIS BOARD	1,00			--
0088	MEVR01574		RING NUT 2204	1,00			--

Table: TRACTION MOTOR

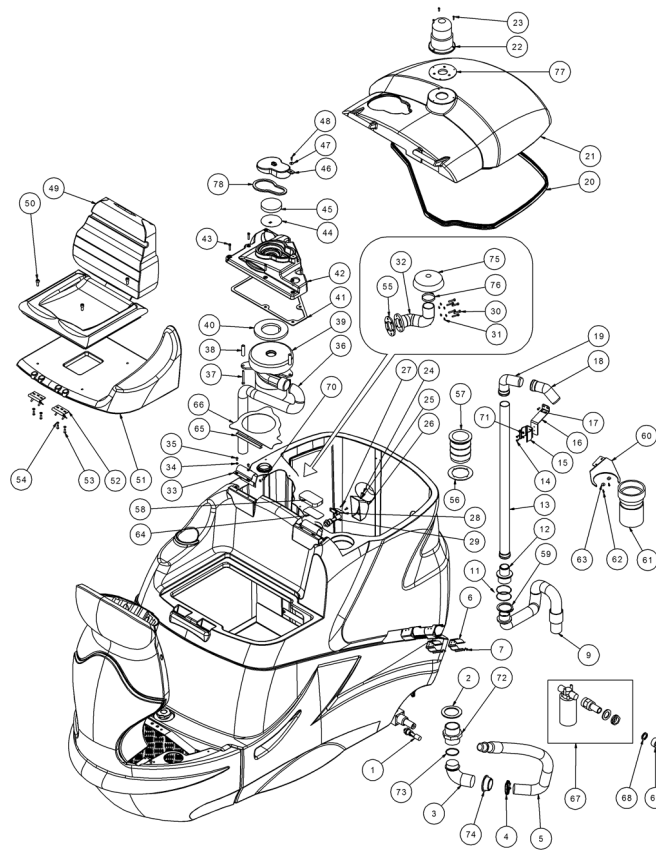
Progressive number: 1



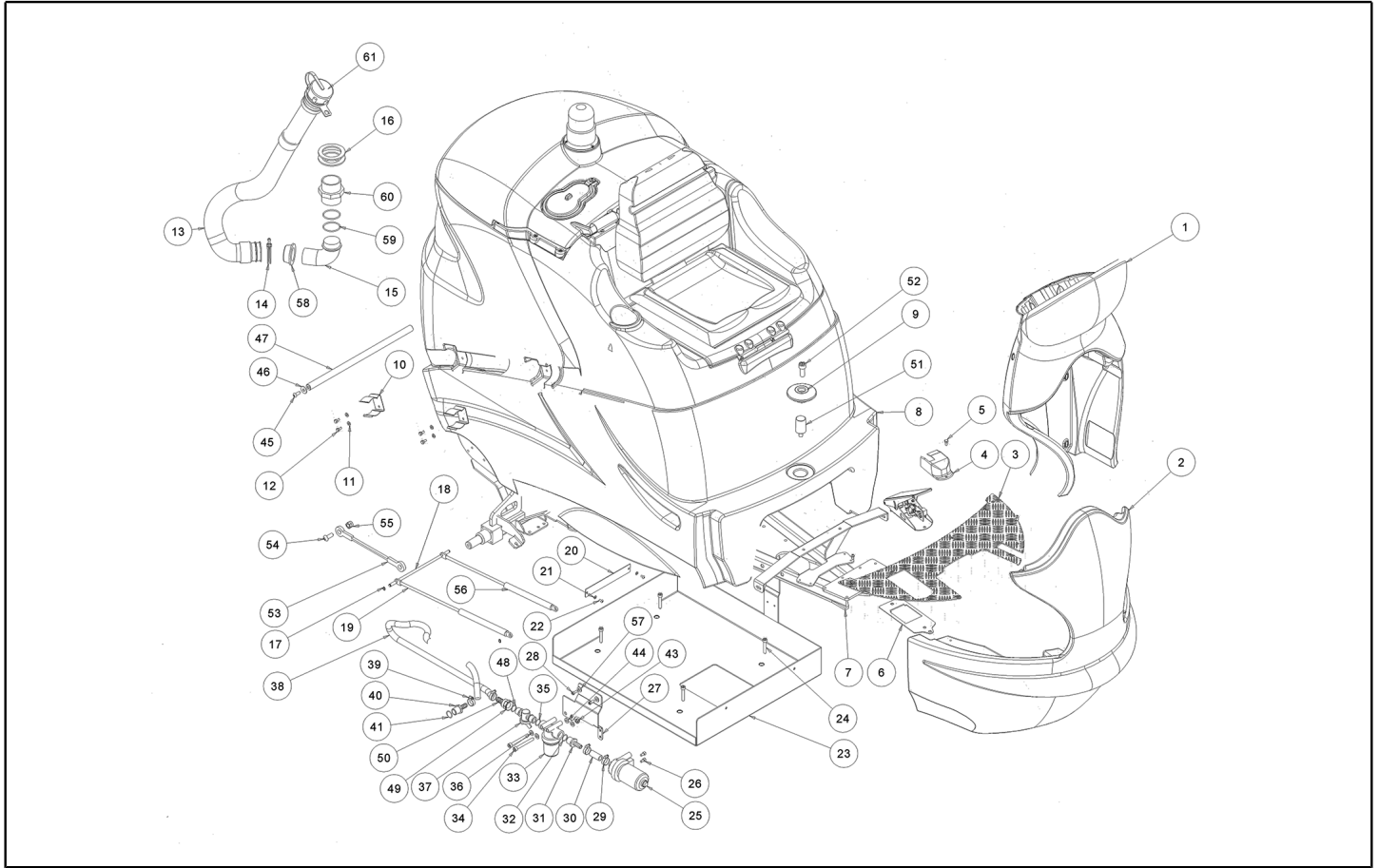
Ref. K	Part n.	Part n. 2	Description	Quantity	Validity		Price
					From	To	
0089	MEVR01573		SMALL KNOB 2200 V6	1,00			--
0090	MEVR02012		CONTACT -	2,00			--
0091	LAFN06735		SPACER 6-8 H31.5	2,00			--
0092	VTDD01693		NUT M 5 INX	1,00			--
0093	MEVR02048		FUSE 40A	1,00		24/10/2011	--
0093	MEVR00644		FUSE MAXIVAL 30A	1,00	25/10/2011		--
0094	VTVT01300		SCREW TE M5X12 INOX	1,00			--
0095	MEVR00613		FUSE CARRIER MAXIVAL with cover	1,00			--
0096	VTDD01693		NUT M 5 INX	2,00			--
0097	VTVT15926		SCREW TE 5X40 UNI5739 INOX	2,00			--
0099	MEVR31185		FUSE 3 A VL	1,00			--
0100	MEVR01559		FUSE RESETTABLE 4A -ETA-	1,00			--
0101	MEVR01559		FUSE RESETTABLE 4A -ETA-	1,00			--
0102	VTRS15523		WASHER D.10 X21 INOX UNI 6592	4,00			--
0103	VTRS13947		WASHER D. 8 INX UNI 6592	8,00			--
0104	VTRS15146		WASHER GROVER A2 UNI1751	2,00			--
0105	LAFN07030		SPACER -	1,00			--
0106	MEVR02039		CONTACT -	2,00			--
0107	MEVR01925		FUSE 150A	1,00			--
0108	VTRS00516		WASHER D. 5 INX	2,00			--
0109	MECE00456		RELAY CT110	1,00	25/10/2011		--
0110	VTVT01300		SCREW TE M5X12 INOX	1,00	25/10/2011		--
0111	MECB01319		WIRING CURTIS	1,00	18/12/2012		--
0112	MEVR01148		SOCKET CONNECTOR 175 A GRIGIO	1,00			--
0113	MECB07611		PLUG	1,00			--
0114	MEVR00093		KEY SPARE BATTERY VERSION	1,00			--
0115	LAFN11195		SUPPORT CT160 R	1,00	02/03/2018		--
0116	LAFN11197		SPACER -	2,00	02/03/2018		--
0117	VTRS15523		WASHER D.10 X21 INOX UNI 6592	2,00	02/03/2018		--
0118	VTVT01549		SCREW TE M10-40	2,00	02/03/2018		--
0119	MTPL00238		ROLLER CT160	1,00	02/03/2018		--
0120	CUVR00192		BUSHING -	2,00	02/03/2018		--
0121	LAFN11196		PIN CT160	1,00	02/03/2018		--



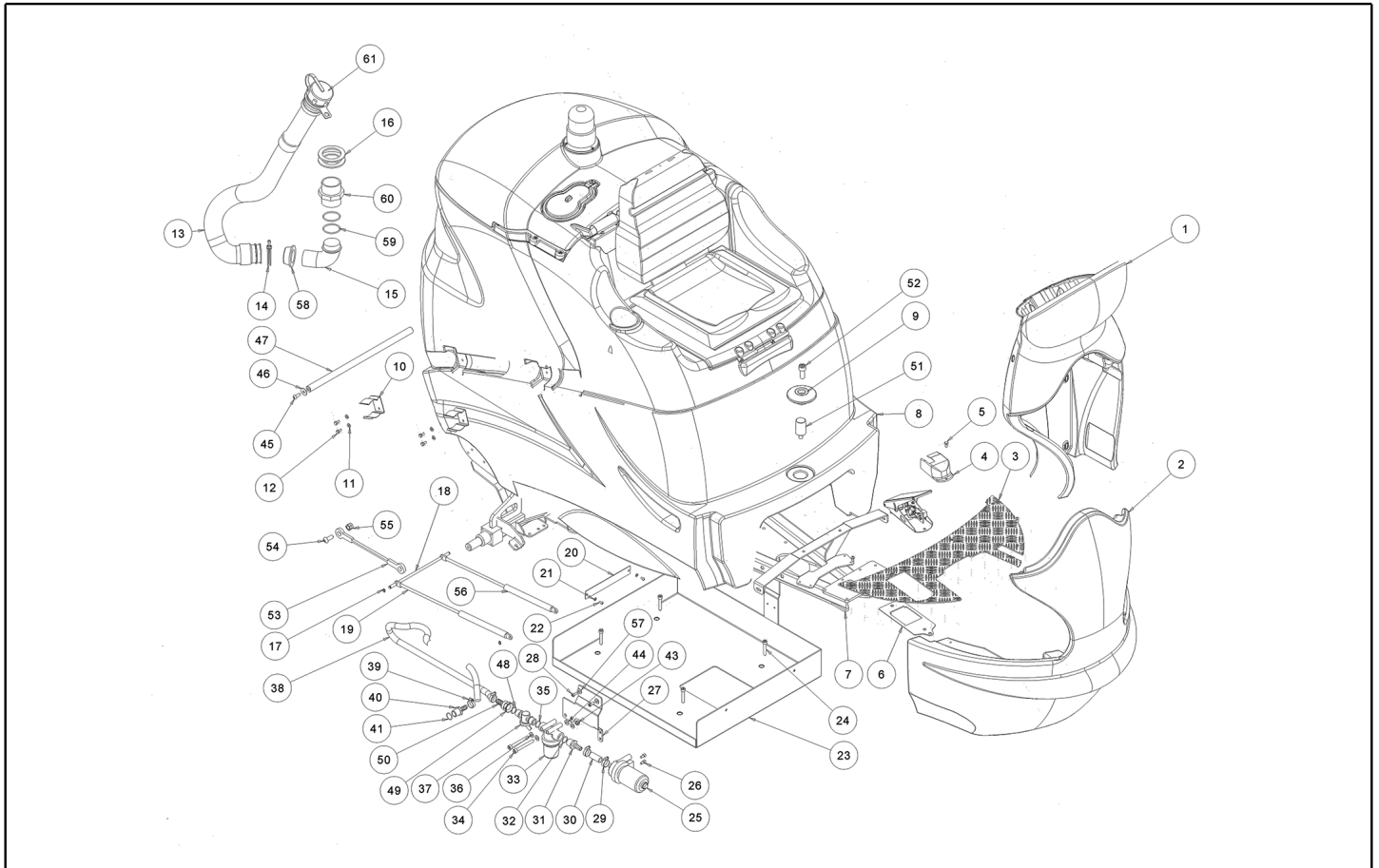
Ref. K	Part n.	Part n. 2	Description	Quantity	Validity		Price
					From	To	
0001	MECI00533		SENSOR VS303-51N	1,00			--
0002	GUGO00216		GASKET TANK DRAIN HOSE CUFF	1,00			--
0003	RCVR00718		CONNECTOR M12X1,5	1,00		17/07/2011	--
0003	RCVR00774		CONNECTOR 90°	1,00	18/07/2011		--
0004	FSVR00095		CLAMP 30-45	1,00			--
0005	TBBP00391		TUBE -	1,00			--
0006	MPVR46988		CLIP FIXATION DRAIN HOSE	2,00			--
0007	VTVT15965		SCREW TCB-TC 4X12 UNI7687 INX	4,00			--
0009	TBFX00300		TUBE	1,00		26/05/2013	--
0009	KTRI04701		KIT REPLACEMENT TBFX00364	1,00	27/05/2013		--
0011	GUGO00445		O-RING -	2,00			--
0012	LAFN07017		CONNECTOR -	1,00			--
0013	TBBP00480		TUBE -	1,00			--
0014	VTVT00817		SCREW TE M4x12 UNI 5739 INOX	2,00			--
0015	FSVR44166		HOSE CLIP D.50	1,00			--
0016	LAFN07009		BRACKET -	1,00			--
0017	VTVT15961		SCREW M 5X 16 TCB TC UNI 7687	2,00			--
0018	RCVR00765		CONNECTOR -	1,00			--
0019	RCVR00764		CONNECTOR -	1,00			--
0020	GUVR00268		GASKET RECOVERY TANK LID CT230	1,00			--
0021	MPVR05026		COVER RECOVERY TANK LID CT230	1,00			--
0022	MELF00040		FLASHING LIGHT	1,00		03/12/2013	--
0022	MELF00053		FLASHING LIGHT -	1,00	04/12/2013		--
0023	VTVT00752		SCREW TC+ M.4,8-19	3,00			--
0024	VTVT01150		SCREW 4x10	1,00			--
0025	VTRS00570		WASHER -	1,00			--
0026	MPVR05596		PROTECTION -	1,00			--
0027	VTVT07725		SCREW TE 5X16 UNI5739 INX	2,00			--
0028	LAFN08835		BRACKET -	1,00			--
0029	MECI00566		SENSOR -	1,00			--
0030	VTVT07725		SCREW TE 5X16 UNI5739 INX	6,00			--
0031	VTRS00516		WASHER D. 5 INX	6,00			--
0032	MPVR05025		TUBE -	1,00		14/11/2011	--
0032	MPVR06012		TUBE CT230	1,00	15/11/2011		--
0033	LAFN06998		HINGE -	2,00			--
0034	VTRS13750		WASHER D. 5X14 INX	8,00			--
0035	VTVT00805		SCREW TBEI M. 5-10	4,00			--
0036	TBFX00344		TUBE CT230	1,00			--
0037	VTVT01310		SCREW TCEI 8X60 INOX UNI5931	3,00			--
0038	LAFN03760		SPACER RUOTA	3,00			--
0039	MOCC00271		MOTOR ASPIR.BIST.36V E-12416-2	1,00			--
0040	GUGO00272		GASKET VACUUM MOTOR CT	1,00			--
0041	GUVR00269		GASKET -	1,00			--
0042	MPVR05027		COVER	1,00			--



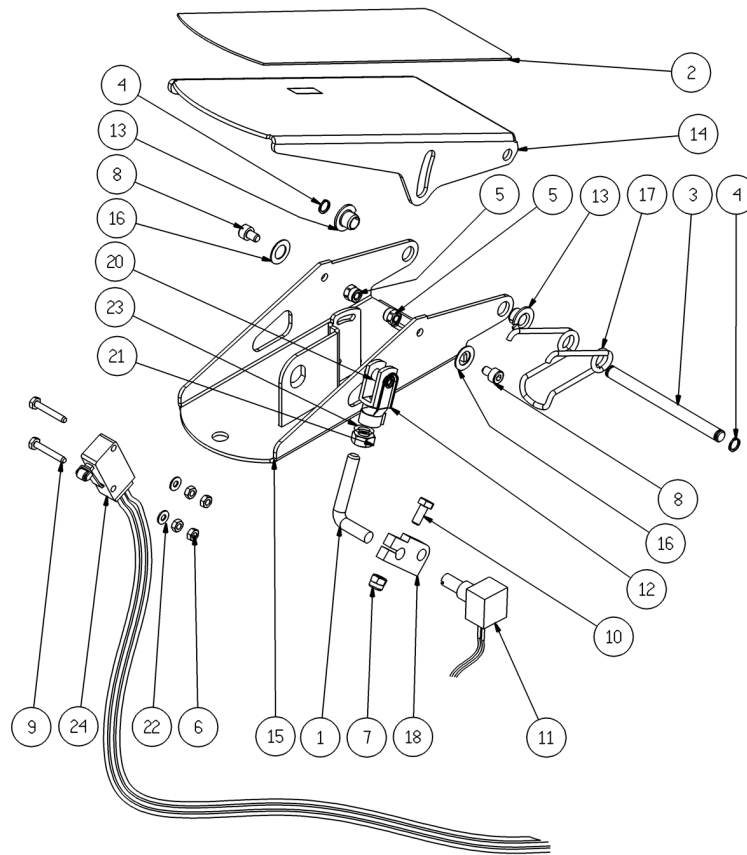
Ref. K	Part n.	Part n. 2	Description	Quantity	Validity		Price
					From	To	
0043	VTVT00657		SCREW TCEI M. 5-30	5,00			--
0044	LAFN06999		NET -	1,00			--
0045	FTDP00186		FILTER VACUUM CLEANER CT230	1,00			--
0046	MPVR05031		CAP -	1,00			--
0047	VTRS00251		WASHER 4-16 INOX A2	1,00			--
0048	VTVT15965		SCREW TCB-TC 4X12 UNI7687 INX	1,00			--
0049	SESD45981		SEAT SC73 01.01.M4 PER TK1400	1,00			--
0050	VTVT13938		SCREW TE 8X20 UNI5739 INX	2,00			--
0051	MPVR05029		COVER UNDER SEAT CT230	1,00			--
0052	CEVR00060		HINGE PORTA SEDILE P185	2,00			--
0053	VTVT01300		SCREW TE M5X12 INOX	8,00			--
0054	VTRS13750		WASHER D. 5X14 INX	8,00			--
0055	GUGO00307		GASKET TENUTA TAPPO	1,00			--
0056	GUGO00267		GASKET SOLUTION TANK FILTER	1,00			--
0057	FTAC48857		FILTER SOLUTION TANK INLET	1,00			--
0058	GUVR01010		GASKET -	1,00			--
0059	VTAE00082		CIRCLIP D. 50 UNI 7435	1,00			--
0060	LAFN08976		BRACKET -	1,00			--
0061	KTRI15043		WATER FILTER DIRTY INLET TANK	1,00			--
0062	VTVT00727		SCREW TE M. 4-20	2,00			--
0063	VTRS00251		WASHER 4-16 INOX A2	2,00			--
0064	LAFN09008		SHEET METAL PA. -	1,00			--
0065	KTRI02014		KIT -	1,00			--
0066	LAFN08923		BULKWARD -	1,00			--
0067	RCVR00766		SENSOR ACQUASTOP AUTO FILLING	1,00			--
0068	GUVR01011		GASKET 1/2"	1,00			--
0069	RCVR00103		JOINT R 1/2"	1,00			--
0070	VTVT01300		SCREW TE M5X12 INOX	4,00			--
0071	VTRS00515		WASHER D. 4 INX	2,00			--
0072	RCVR00778		NIPPLE 1"1/2	1,00	18/07/2011		--
0073	GUGO00319		O-RING 1"1/2	1,00	18/07/2011		--
0074	RCVR00776		CONNECTION 1" 1/2	1,00	18/07/2011		--
0075	MPVR06015		COVER -	1,00	15/11/2011		--
0076	FSVR00033		CLAMP 45-60	1,00	15/11/2011		--
0077	MPVR06103		BRACKET -	1,00	04/12/2013		--
0078	GUVR00320		GASKET -	1,00	10/11/2014		--



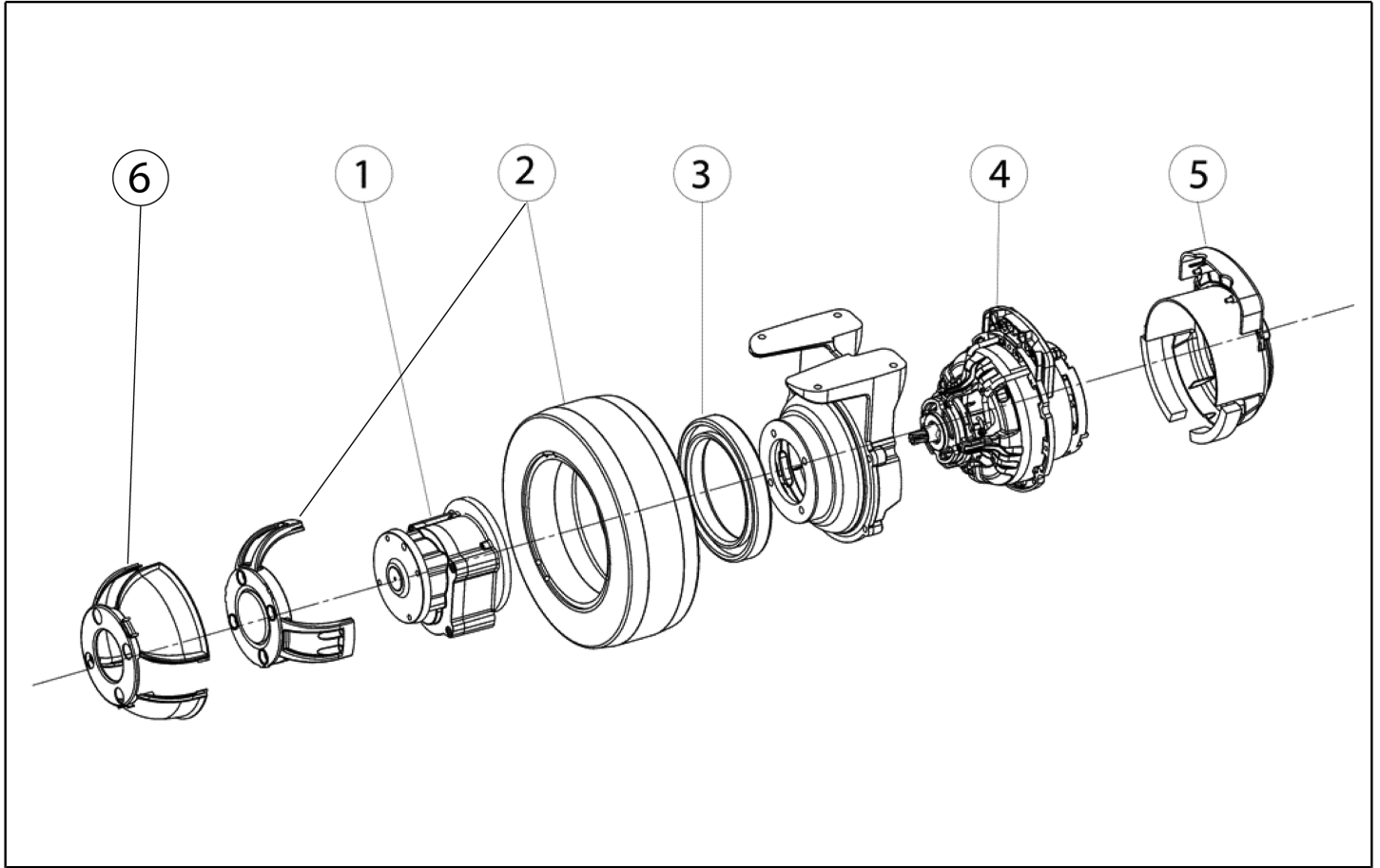
Ref. K	Part n.	Part n. 2	Description	Quantity	Validity		Price
					From	To	
0001	MPVR05819		SIDE PANEL -	1,00			--
0002	MPVR05028		BODY SIDE	1,00			--
0003	LAFN07015		PLANE -	1,00			--
0004	MPVR00302		CRANKCASE PEDALE AVANZAMENTO	1,00			--
0005	VTVT15906		SCREW TE 6X 12 A2 UNI 5739	2,00			--
0006	LAFN07001		FLANGE -	1,00			--
0007	LAFN06991		FRAME -	1,00			--
0008	KTRIO2057		KIT TANK 230	1,00			--
0009	MPVR05949		FLANGE CT230	1,00			--
0010	FSVR44166		HOSE CLIP D.50	2,00			--
0011	VTRS00245		WASHER D.6 UNI 6592 INOX	4,00			--
0012	VTVT15906		SCREW TE 6X 12 A2 UNI 5739	4,00			--
0013	TBBP00388		TUBE -	1,00		16/10/2012	--
0013	TBBP00487		TUBE DRAIN PU CT230	1,00	17/10/2012		--
0014	FSVR00033		CLAMP 45-60	1,00			--
0015	RCVR00719		CONNECTOR M12X1,5	1,00		17/07/2011	--
0015	RCVR00775		CONNECTOR 90°	1,00	18/07/2011		--
0016	GUVR00271		GASKET X RACCORDO 2"	2,00			--
0017	VTAE00083		CIRCLIP D. 8	6,00			--
0018	LAFN07011		PIN -	1,00			--
0019	MLML00296		PISTON -	1,00			--
0020	LAFN07010		BRACKET -	3,00			--
0021	VTRS13750		WASHER D. 5X14 INX	6,00			--
0022	VTVT15961		SCREW M 5X 16 TCB TC UNI 7687	6,00			--
0023	LAFN06992		CONTAINER -	1,00			--
0024	VTVT00889		SCREW TCEI M. 8-45	4,00			--
0025	PPEL00025		PUMP EST. 36V	1,00			--
0026	VTVT15906		SCREW TE 6X 12 A2 UNI 5739	2,00			--
0027	LAFN07008		BRACKET -	1,00			--
0028	VTVT13939		SCREW TE 6X20 UNI5739 INX	2,00			--
0031	RCVR00540		CONNECTOR	1,00			--
0032	GUGO36290		O-RING D. 17.04 X 3.53 NBR 70SH	1,00			--
0033	FTAC00038		FILTER SOLUTION TANK G1/2	1,00			--
0034	VTVT00699		SCREW TE M. 6-70	2,00			--
0035	GUGO36290		O-RING D. 17.04 X 3.53 NBR 70SH	1,00			--
0036	VTRS00245		WASHER D.6 UNI 6592 INOX	2,00			--
0037	RCGR00078		VALVE TAP SOLUTION TANK	1,00			--
0040	RCVR00542		CURVED CONNECT. M G1/2 PORTAG. 113-2213	1,00			--
0041	GUGO31088		O-RING D. 12 X 2.50 NBR 70SH	1,00			--
0042	VTVT00640		SCREW TBEI M 6X 12 ISO 7380 IX	4,00			--
0043	VTDD01694		NUT M6 INOX	2,00			--
0044	VTRS13945		WASHER D. 6X18 INX UNI 6593	2,00			--
0045	VTVT00779		SCREW TBEI M 8X 16 ISO 7380 IX	2,00			--
0046	VTRS16323		WASHER D. 8 X32 UNI 6593 INX	2,00			--



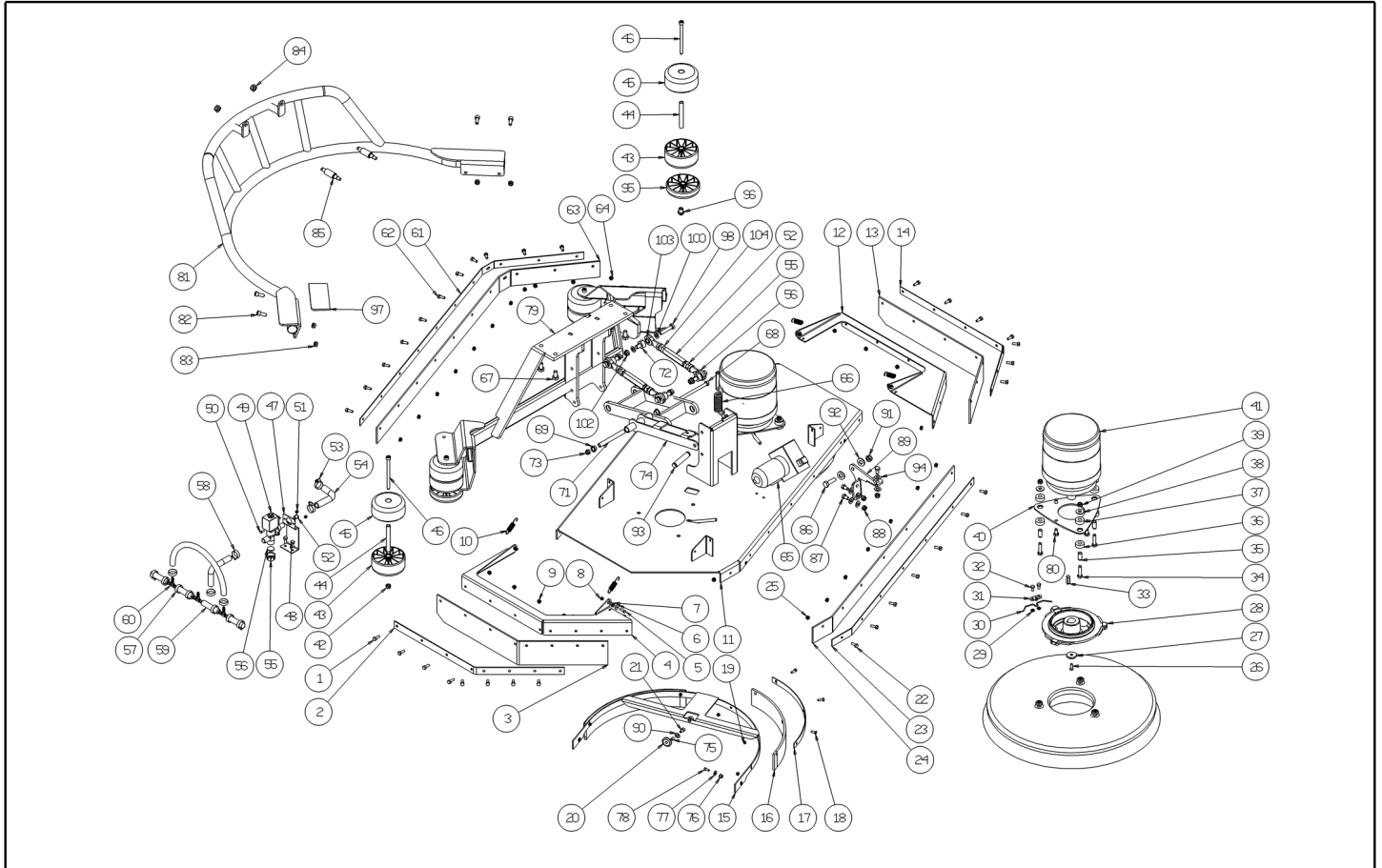
Ref. K	Part n.	Part n. 2	Description	Quantity	Validity		Price
					From	To	
0047	LAFN07007		PIN -	1,00			--
0048	GUGO00427		GASKET -	1,00			--
0049	MPVR05240		RING NUT G1/2	1,00			--
0050	RCVR00744		CONNECTOR -	1,00			--
0051	LAFN07014		PIN -	1,00			--
0052	VTVT00307		SCREW TCEI M10X30	1,00			--
0053	CMCV00455		CABLE -	2,00			--
0054	VTVT01195		SCREW TBEI M 8X 25 ISO 7380 IX	2,00			--
0055	VTDD01695		NUT M 8 INX	2,00			--
0056	MLML00330		SPRING -	1,00			--
0057	VTRS13945		WASHER D. 6X18 INX UNI 6593	2,00			--
0058	RCVR00777		CONNECTION 2"	1,00	18/07/2011		--
0059	GUGO00320		O-RING 2"	2,00	18/07/2011		--
0060	RCVR00779		NIPPLE 2"	1,00	18/07/2011		--
0061	KTRI01980		KIT CAP DRAIN HOSE	1,00			--



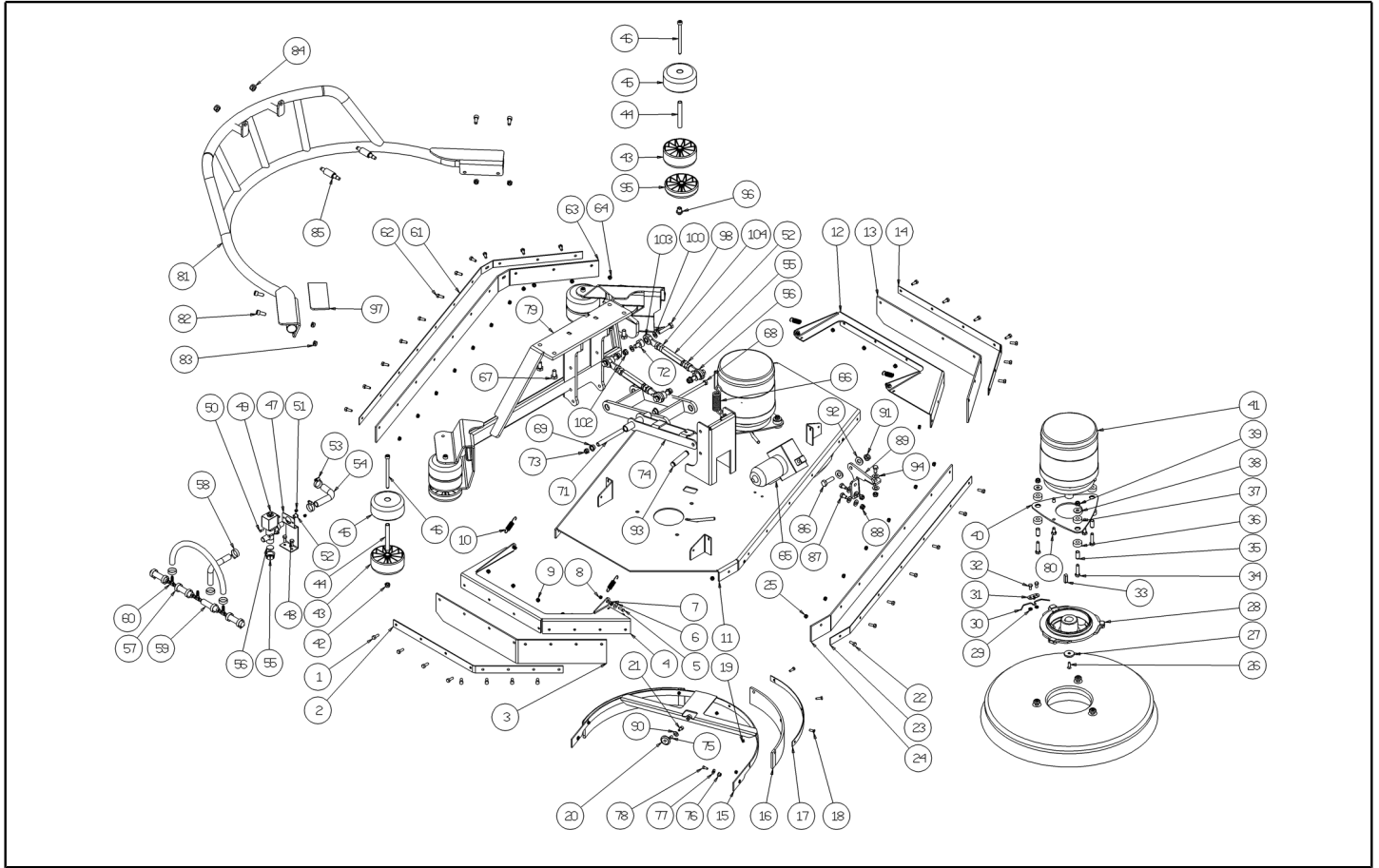
Ref. K	Part n.	Part n. 2	Description	Quantity	Validity		Price
					From	To	
0001	LAFN00909		BRACKET BIELLETTA PEDALE	1,00			--
0002	MPVR00866		PLANE ANTISDRUCCIOLO G1050	1,00			--
0003	LAFN00524		PIN PEDALE TK 1050	1,00			--
0004	VTAE48552		CIRCLIP ESTERNO DIN 471 D.6	2,00			--
0005	VTDD04369		NUT M 4 TEF UNI 7473	2,00			--
0006	VTDD21115		NUT M 3 INOX	2,00			--
0007	VTDD04369		NUT M 4 TEF UNI 7473	1,00			--
0008	VTVT00089		SCREW TCCE UNI 5931 4X10 ZB	2,00			--
0009	VTVT00654		SCREW TC+ M.3-20	2,00			--
0010	VTVT00727		SCREW TE M. 4-20	1,00			--
0011	MECB01227		WIRING ACCELERATOR	1,00			--
0012	CMCV75717		CLIP UNI 1676 M6	1,00			--
0013	CUVR00183		BUSHING -	2,00			--
0014	LAFN06474		SHEET METAL PA. PEDALE	1,00			--
0015	LAFN07532		BASE -	1,00			--
0016	MPVR05528		WASHER -	2,00			--
0017	MLML00034		SPRING PEDALE AVANZAMENTO G1050	1,00			--
0018	LAFN01149		CONNECTING ROD PEDALE AVANZAMENTO G1050	1,00			--
0020	CMCV76639		FORK M 6 UNI 1676	1,00			--
0021	VTDD00482		NUT M 6 ZIN UNI 5588	1,00			--
0022	VTRS00117		WASHER 3.2X7 UNI6592	2,00			--
0023	VTRS01079		WASHER D. 6 GROWER	1,00			--
0024	MECB01228		WIRING -	1,00			--



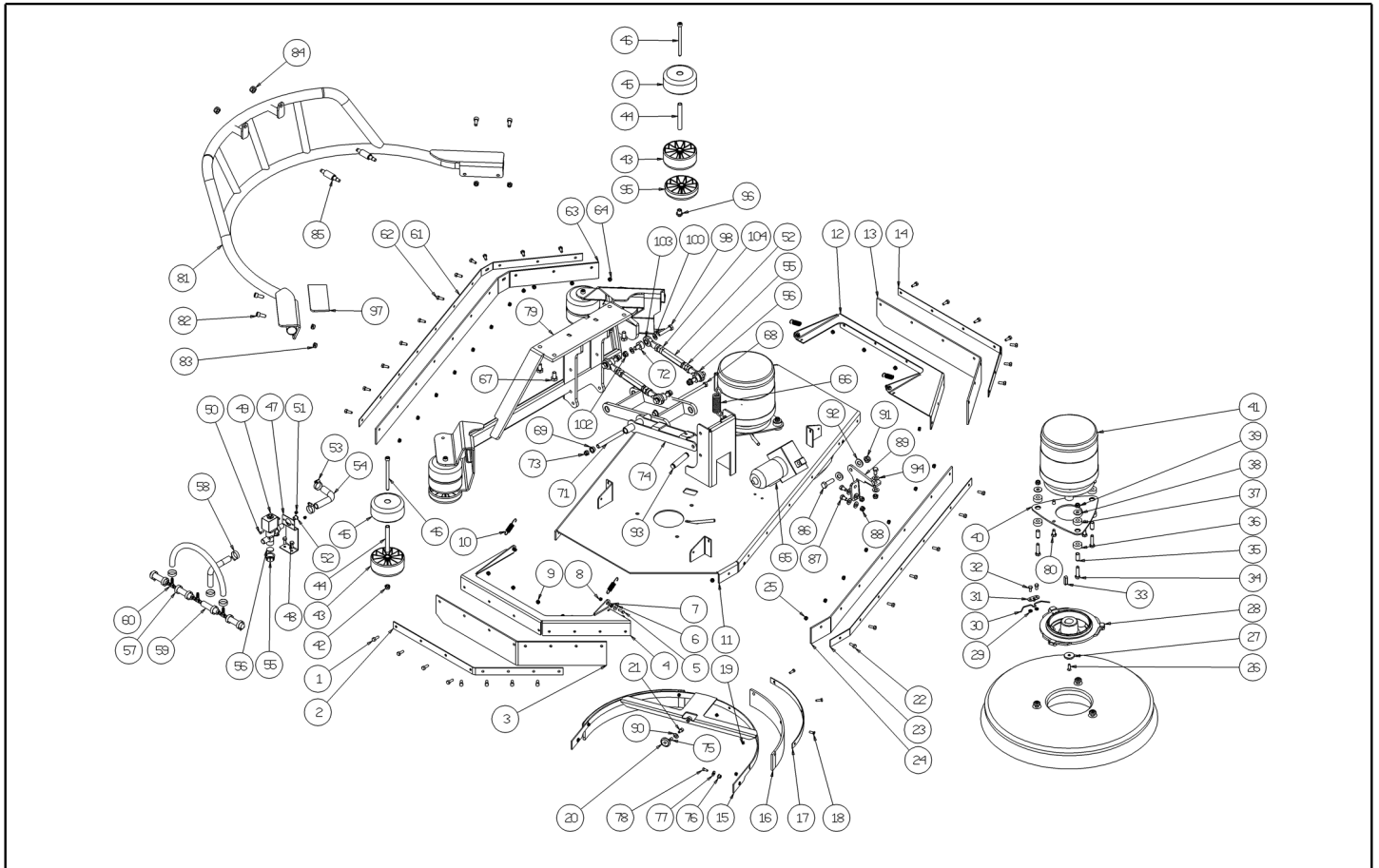
Ref. K	Part n.	Part n. 2	Description	Quantity	Validity		Price
					From	To	
0001	RDGR00039		REDUCTION UNIT -	1,00			--
0002	RTRT00442		WHEEL PU BLUE CT230 300x100	1,00			--
0003	CUVR00194		BEARING 61926 2RS	1,00			--
0004	MOCC00407		MOTOR ELECTRIC TRAC.-WHEEL 230	1,00			--
0005	MPVR04999		CAP .	1,00			--
0006	MPVR08044		COVER -	1,00			--



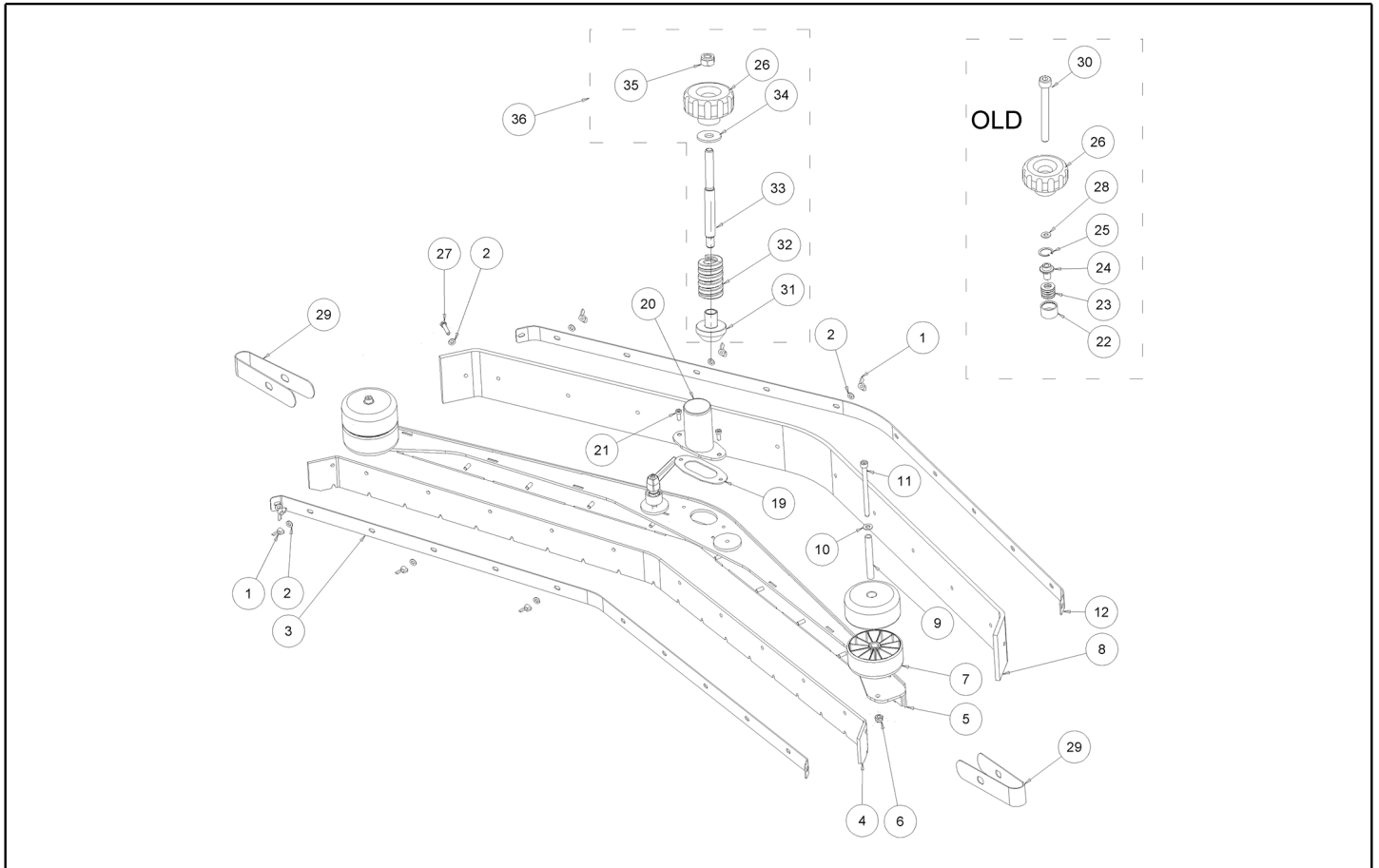
Ref. K	Part n.	Part n. 2	Description	Quantity	Validity		Price
					From	To	
0001	VTVT15143		SCREW TE 6X16 UNI5739	15,00			--
0002	LAFN07005		BRACKET -	1,00			--
0003	MPVR05037		FLAP	1,00			--
0004	LAFN07013		PLANE -	1,00			--
0005	VTVT07725		SCREW TE 5X16 UNI5739 INX	4,00			--
0006	VTRS13750		WASHER D. 5X14 INX	4,00			--
0007	CUVR00140		BUSHING DI CENTRAGGIO SPAZZOLE	4,00			--
0008	VTDD01693		NUT M 5 INX	4,00			--
0009	VTDD01694		NUT M6 INOX	15,00			--
0010	MLML02801		SPRING FLAP LATER.	4,00			--
0011	LAFN06988		SUPPORT -	1,00			--
0012	LAFN07012		PLANE -	1,00			--
0013	MPVR05038		FLAP	1,00			--
0014	LAFN07006		BRACKET -	1,00			--
0015	LAFN06989		SUPPORT -	2,00			--
0016	MPVR05034		FLAP	4,00			--
0017	LAFN07002		BRACKET -	4,00			--
0018	VTVT07725		SCREW TE 5X16 UNI5739 INX	12,00			--
0019	VTDD01693		NUT M 5 INX	12,00			--
0020	CUVR00184		BEARING -	2,00			--
0021	VTVT00717		SCREW TCEI M. 6-16	2,00			--
0022	VTVT15143		SCREW TE 6X16 UNI5739	7,00			--
0023	LAFN07003		BRACKET -	1,00			--
0024	MPVR05035		FLAP	1,00			--
0025	VTDD01694		NUT M6 INOX	7,00			--
0026	VTVT13940		SCREW M 6X 20 TSPEI UNI 5933	2,00			--
0027	LAFN04146		WASHER FISSA PIATTI	2,00			--
0028	MFVR00139		DRIVE DISK ALUMINIUM CT160	2,00			--
0029	LAFN04140		SPACER X MOLLA	4,00			--
0030	MLML00240		SPRING SPRING RETAINER CT160-230	2,00			--
0031	LAFN05797		PLATE FERMO MOLLA	2,00			--
0032	VTVT15906		SCREW TE 6X 12 A2 UNI 5739	4,00			--
0033	VTVR14052		KEY 8X 7X30 UNI 6604A	2,00			--
0034	VTVT00410		SCREW TE M8x35 UNI5739 INOX	6,00			--
0035	LAFN04141		PIN PIASTRA MOTORE	6,00			--
0036	GUGO00264		WASHER ELASTOMERO	6,00			--
0037	GUGO00264		WASHER ELASTOMERO	6,00			--
0038	VTRS16323		WASHER D. 8 X32 UNI 6593 INX	6,00			--
0039	VTDD01695		NUT M 8 INX	6,00			--
0040	LAFN05785		FLANGE PORTAMOTORE	2,00			--
0041	MOCC00195		MOTOR BRUSH P5 36V 550W	2,00			--
0042	VTDD01695		NUT M 8 INX	5,00			--
0043	RTRT00510		WHEEL BUMPER RAL7040	5,00			--
0044	LAFN04127		PIN RULLO PARACOLPI	5,00			--



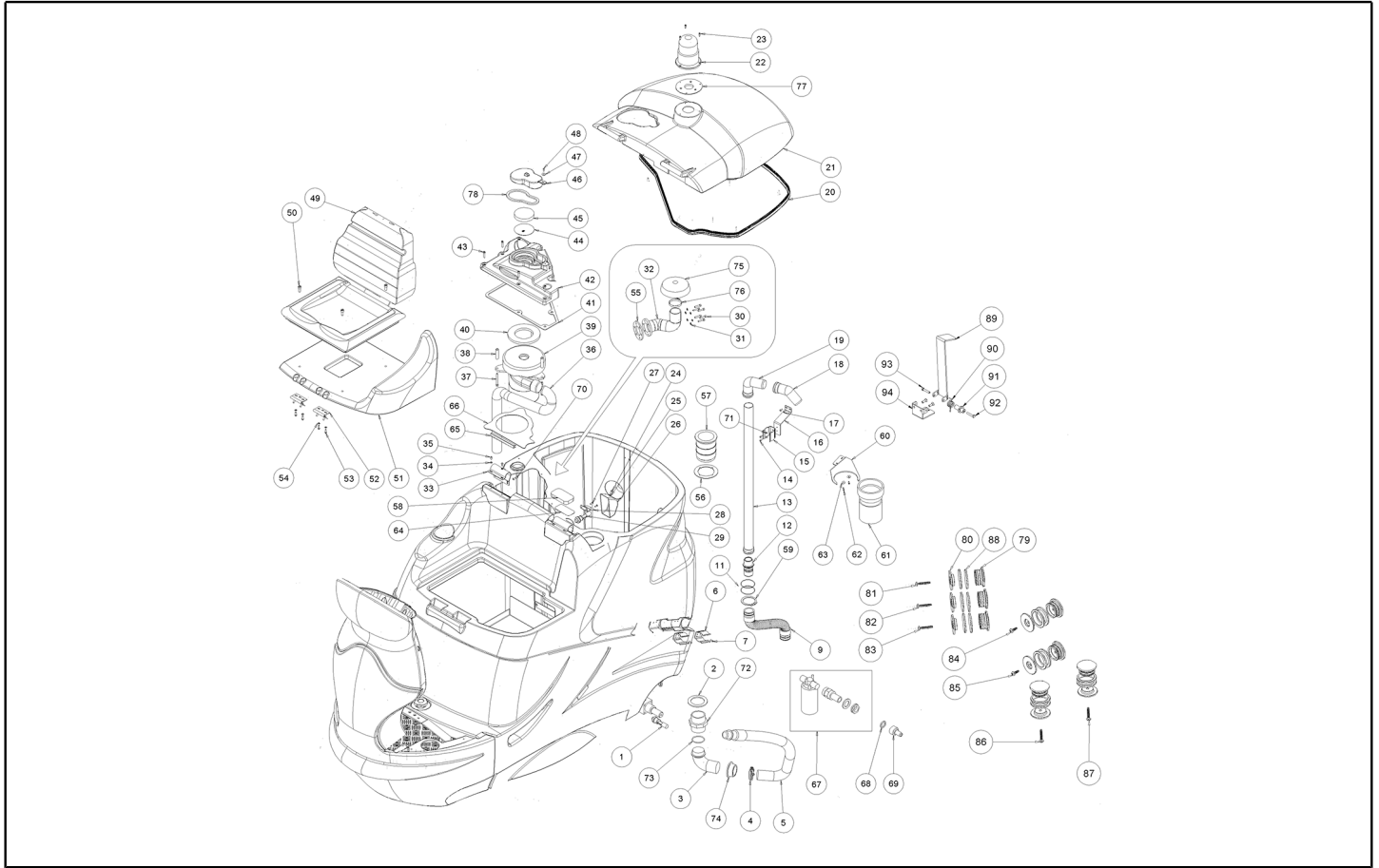
Ref. K	Part n.	Part n. 2	Description	Quantity	Validity		Price
					From	To	
0045	RTRT00510		WHEEL BUMPER RAL7040	5,00			--
0046	VTVT67560		SCREW TCEI M8X110 INOX AISI 304	5,00			--
0047	LAFN05835		BRACKET PORTAELETTROVALVOLA	1,00			--
0048	VTVT15143		SCREW TE 6X16 UNI5739	2,00			--
0049	MEEV00043		SOLENOID VALVE	1,00			--
0050	VTVT00817		SCREW TE M4x12 UNI 5739 INOX	2,00			--
0051	VTDD00147		NUT M 4 INX U.5588	2,00			--
0052	LAFN09355		TIE ROD -	2,00			--
0053	FSVR00096		CLAMP 10-16 INOX	4,00			--
0054	TBFX48011		TUBE FLEX D.12X3 ARMORV.PVC TR	0,50			--
0055	VTDD00211		NUT UNI 5589 M16 THREAD LEFT	2,00			--
0056	VTVR00571		HEAD -	2,00			--
0057	FSVR00255		CLAMP -	1,00			--
0058	FSVR00255		CLAMP -	3,00			--
0059	TBBP00146			0,50			--
0060	RCVR00483		CONNECTOR 3 VIE	3,00			--
0061	LAFN07004		BRACKET -	1,00			--
0062	VTVT15143		SCREW TE 6X16 UNI5739	11,00			--
0063	MPVR05036		FLAP	1,00			--
0064	VTDD01694		NUT M6 INOX	11,00			--
0065	MOCC00388		ACTUATOR BRUSH HEAD 36V 1500N	1,00			--
0066	MLML00241		SPRING BRUSH PRES. CT110-160-230	1,00			--
0067	VTVT13936		SCREW TE M 10X 20	4,00			--
0068	VTVT01159		SCREW M8x130	1,00			--
0069	CUVR00130		BEARING STRISCIAIMENTO	2,00			--
0070	LAFN07958		BRACKET BRUSH HEAD ACTUATOR CT230	2,00			--
0071	LAFN07878		BUSHING -	1,00			--
0072	LAFN09356		BUSHING -	4,00			--
0073	VTDD01695		NUT M 8 INX	1,00			--
0074	LAFN08802		ARM -	1,00			--
0075	LAFN03840		BUSHING	2,00			--
0076	CUVR00140		BUSHING DI CENTRAGGIO SPAZZOLE	4,00			--
0077	VTRS13750		WASHER D. 5X14 INX	4,00			--
0078	VTVT01300		SCREW TE M5X12 INOX	4,00			--
0079	LAFN06990		BRACKET ROLL BAR	1,00			--
0080	VTVT15916		SCREW TE M 8X 16 UNI 5739 A2	8,00			--
0081	LAFN07870		BUMPER -	1,00			--
0082	VTVT13944		SCREW TCEI M 8X20 UNI 5931 INX	4,00			--
0083	VTDD01695		NUT M 8 INX	4,00			--
0084	VTDD15519		NUT M10 INOX	2,00			--
0085	LAFN07871		BRACKET -	2,00			--
0086	VTVT01541		SCREW TE M 10x30 INOX UNI5739	1,00			--
0087	VTVT15907		SCREW TE 8X25 UNI5739 INX	3,00			--
0088	VTDD01695		NUT M 8 INX	3,00			--



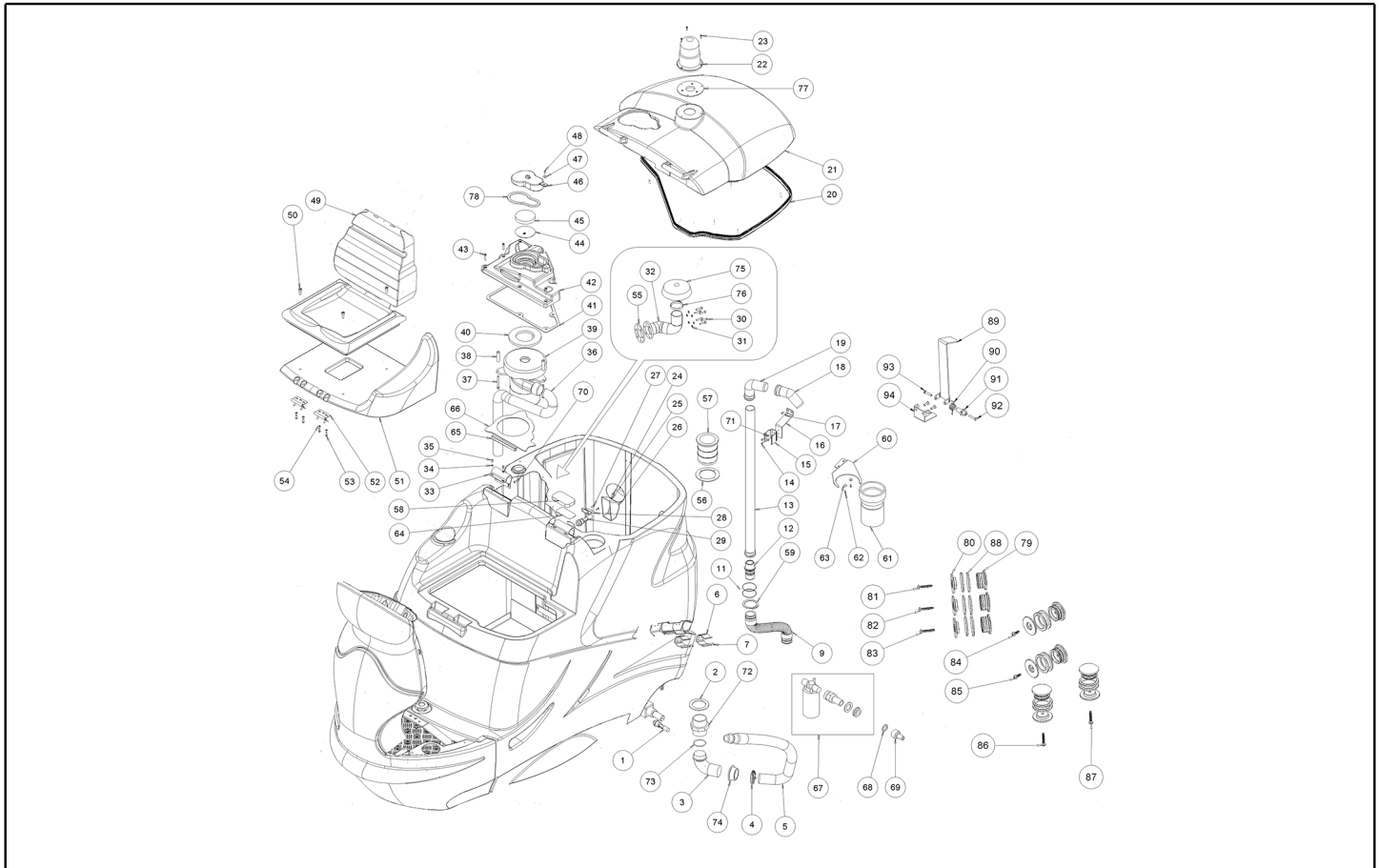
Ref. K	Part n.	Part n. 2	Description	Quantity	Validity		Price
					From	To	
0089	LAFN07877		BRACKET -	1,00			--
0090	VTRS00245		WASHER D.6 UNI 6592 INOX	2,00			--
0091	VTDD10310		NUT AUTOBL.M10 INOX DIN 985	1,00			--
0092	VTRS15523		WASHER D.10 X21 INOX UNI 6592	2,00			--
0093	LAFN51065		PIN INFER.ATTUAT.TEST.	1,00			--
0094	VTRS13947		WASHER D. 8 INX UNI 6592	6,00			--
0095	MPVR05290		ROLLER SIDE BUMPER WHEEL	2,00			--
0096	LAFN09007		PIN -	2,00			--
0097	MPVR00866		PLANE ANTISDRUCCIOLO G1050	2,00			--
0098	VTVT15371		SCREW TE M 8X45 INOX A2 UNI	4,00			--
0099	VTVT00410		SCREW TE M8x35 UNI5739 INOX	4,00			--
0100	VTRS13947		WASHER D. 8 INX UNI 6592	4,00			--
0101	VTVT13937		SCREW TE M 8X 30 INX UNI 5739	4,00			--
0102	VTDD01695		NUT M 8 INX	8,00			--
0103	VTVR00570		HEAD -	2,00			--
0104	VTDD00151		NUT M.10	2,00			--



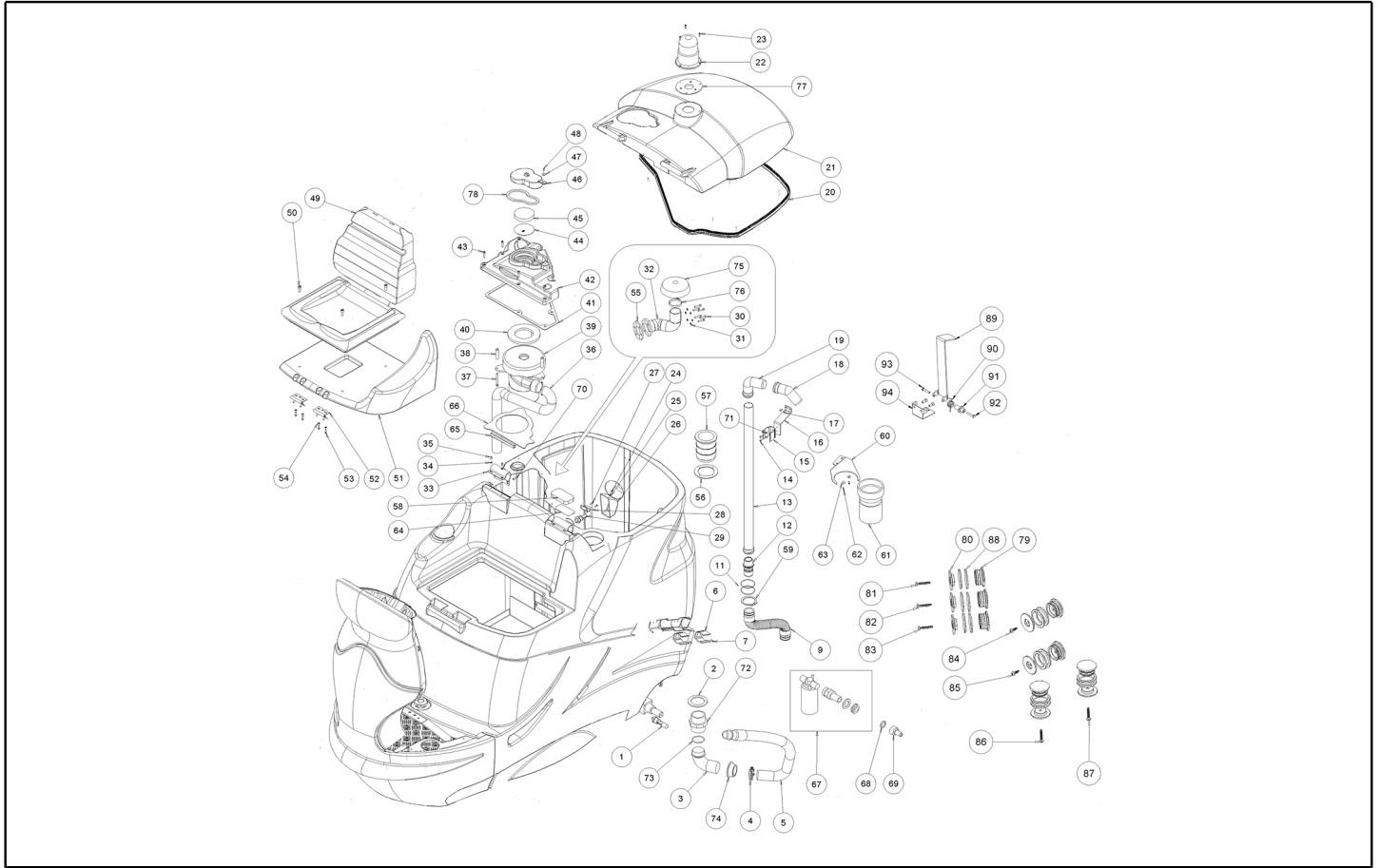
Ref. K	Part n.	Part n. 2	Description	Quantity	Validity		Price
					From	To	
0001	VTDD00171		NUT M6 INOX	14,00			--
0002	VTRS00245		WASHER D.6 UNI 6592 INOX	16,00			--
0003	LAFN08930		BRACKET -	1,00			--
0004	MPVR05885		BLADE SQUEEGEE FRONT CT230-1420	1,00			--
0005	LAFN08929		FLOOR WIPER -	1,00			--
0006	VTDD01695		NUT M 8 INX	2,00			--
0007	RTRT00510		WHEEL BUMPER RAL7040	4,00			--
0008	MPVR05886		BLADE SQUEEGEE REAR LATEX CT230	1,00			--
0009	LAFN04127		PIN RULLO PARACOLPI	2,00			--
0010	VTRS13946		WASHER D. 8 X24 INX UNI 6593	2,00			--
0011	VTVT67560		SCREW TCEI M8X110 INOX AISI 304	2,00			--
0012	LAFN08931		BRACKET -	1,00			--
0019	GUGO06700		GASKET SQUEEGEE	1,00			--
0020	LAFN08938		CONNECTOR -	1,00			--
0021	VTVT00717		SCREW TCEI M. 6-16	2,00			--
0022	LAFN04137		CONTAINER MOLLE A TAZZA	2,00		22/11/2018	--
0023	MLML00245		SPRING A TAZZA	12,00		22/11/2018	--
0024	LAFN07939		PLATE XS	2,00		22/11/2018	--
0025	VTAE13513		CIRCLIP D. 26 UNI 7437	2,00		22/11/2018	--
0026	VTVR00047		HANDWHEEL D.50 M8	2,00			--
0027	VTVT00433		SCREW TE M 6X 30 UNI 5739 INX	2,00			--
0028	VTRS13947		WASHER D. 8 INX UNI 6592	2,00		22/11/2018	--
0029	MPVR06002		DUCT LOCK FLAP CT230	2,00			--
0030	VTVT01198		SCREW TCEI M8X70	2,00		22/11/2018	--
0031	LAFN11395		BUSHING SQUEEGEE	2,00	23/11/2018		--
0032	MLML00502		SPRING SQUEEGEE	2,00	23/11/2018		--
0033	LAFN11394		PIN SQUEEGEE	2,00	23/11/2018		--
0034	VTRS13946		WASHER D. 8 X24 INX UNI 6593	2,00	23/11/2018		--
0035	VTDD01695		NUT M 8 INX	2,00	23/11/2018		--
0036	KTRI05628		KIT NEW SQUEEGEE KNOBS	1,00	23/11/2018		--



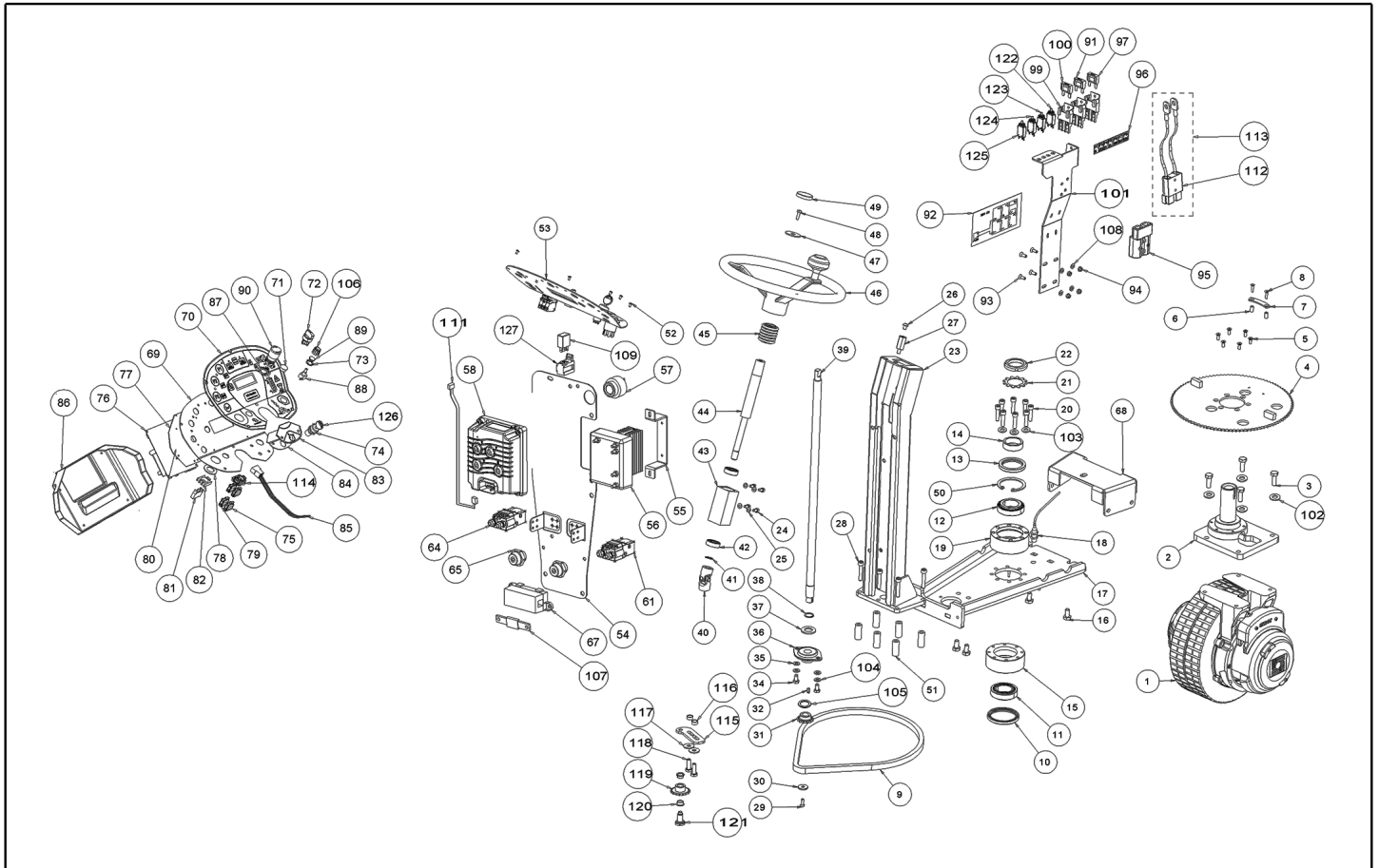
Ref. K	Part n.	Part n. 2	Description	Quantity	Validity		Price
					From	To	
0001	MECI00533		SENSOR VS303-51N	1,00			--
0002	GUGO00216		GASKET TANK DRAIN HOSE CUFF	1,00			--
0003	RCVR00774		CONNECTOR 90°	1,00			--
0004	FSVR00095		CLAMP 30-45	1,00			--
0005	TBBP00391		TUBE -	1,00			--
0006	MPVR46988		CLIP FIXATION DRAIN HOSE	2,00			--
0007	VTVT15965		SCREW TCB-TC 4X12 UNI7687 INX	4,00			--
0009	TBFX01098		TUBE .	1,00			--
0011	GUGO00445		O-RING -	2,00			--
0012	RCVR01107		CONNECTOR CT230	1,00			--
0014	VTVT00817		SCREW TE M4x12 UNI 5739 INOX	2,00			--
0015	FSVR44166		HOSE CLIP D.50	1,00			--
0016	LAFN07009		BRACKET -	1,00			--
0017	VTVT15961		SCREW M 5X 16 TCB TC UNI 7687	2,00		25/05/2017	--
0017	VTVT00640		SCREW TBEI M 6X 12 ISO 7380 IX	2,00	26/05/2017		--
0018	RCVR00765		CONNECTOR -	1,00			--
0019	RCVR00764		CONNECTOR -	1,00			--
0020	GUVR00268		GASKET RECOVERY TANK LID CT230	1,00			--
0021	MPVR05026		COVER RECOVERY TANK LID CT230	1,00			--
0022	MELF00053		FLASHING LIGHT -	1,00			--
0023	VTVT00752		SCREW TC+ M.4.8-19	3,00			--
0024	VTVT01150		SCREW 4x10	1,00		23/05/2017	--
0024	VTVT15965		SCREW TCB-TC 4X12 UNI7687 INX	1,00	24/05/2017		--
0025	VTRS00570		WASHER -	1,00			--
0026	MPVR05596		PROTECTION -	1,00			--
0027	VTVT07725		SCREW TE 5X16 UNI5739 INX	2,00		23/05/2017	--
0027	VTVT13941		SCREW M5x16 TSPEI UNI 5933	2,00	24/05/2017		--
0028	LAFN08835		BRACKET -	1,00		23/05/2017	--
0029	MECI00566		SENSOR -	1,00			--
0030	VTVT07725		SCREW TE 5X16 UNI5739 INX	6,00			--
0031	VTRS00516		WASHER D. 5 INX	6,00			--
0032	MPVR06012		TUBE CT230	1,00			--
0033	LAFN06998		HINGE -	2,00			--
0034	VTRS13750		WASHER D. 5X14 INX	8,00			--
0035	VTVT00805		SCREW TBEI M. 5-10	4,00			--
0036	TBFX00344		TUBE CT230	1,00			--
0037	VTVT01310		SCREW TCEI 8X60 INOX UNI5931	3,00			--
0038	LAFN03760		SPACER RUOTA	3,00			--
0039	MOCC00271		MOTOR ASPIR.BIST.36V E-12416-2	1,00			--
0040	GUGO00272		GASKET VACUUM MOTOR CT	1,00			--
0041	GUVR00269		GASKET -	1,00			--
0042	MPVR05027		COVER	1,00			--
0043	VTVT00657		SCREW TCEI M. 5-30	5,00			--
0044	LAFN06999		NET -	1,00			--



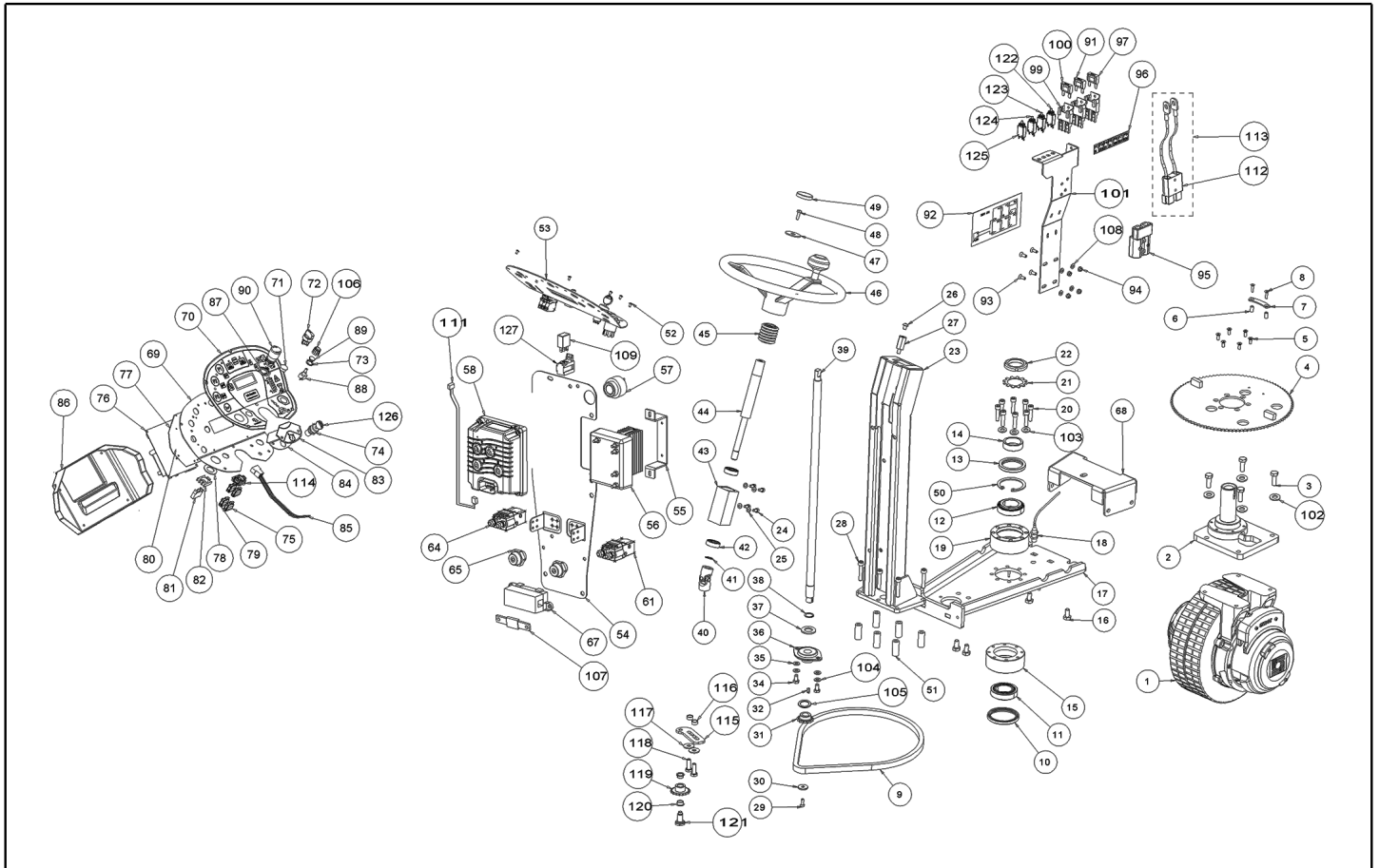
Ref. K	Part n.	Part n. 2	Description	Quantity	Validity		Price
					From	To	
0045	FTDP00186		FILTER VACUUM CLEANER CT230	1,00			--
0046	MPVR05031		CAP -	1,00			--
0047	VTRS00251		WASHER 4-16 INOX A2	1,00			--
0048	VTVT15965		SCREW TCB-TC 4X12 UNI7687 INX	1,00			--
0049	SESD45981		SEAT SC73 01.01.M4 PER TK1400	1,00		21/11/2018	--
0049	SESD45982		SEAT SC 73 L.14 SENSOR REED	1,00	22/11/2018		--
0050	VTVT13938		SCREW TE 8X20 UNI5739 INX	2,00			--
0051	MPVR05029		COVER UNDER SEAT CT230	1,00			--
0052	CEVR00060		HINGE PORTA SEDILE P185	2,00			--
0053	VTVT01300		SCREW TE M5X12 INOX	8,00			--
0054	VTRS13750		WASHER D. 5X14 INX	8,00			--
0055	GUGO00307		GASKET TENUTA TAPPO	1,00			--
0056	GUGO00267		GASKET SOLUTION TANK FILTER	1,00			--
0057	FTAC48857		FILTER SOLUTION TANK INLET	1,00			--
0058	GUVR01010		GASKET -	1,00			--
0059	VTAE00082		CIRCLIP D. 50 UNI 7435	1,00			--
0060	LAFN08976		BRACKET -	1,00			--
0061	KTRI15043		WATER FILTER DIRTY INLET TANK	1,00			--
0062	VTVT00727		SCREW TE M. 4-20	2,00			--
0063	VTRS00251		WASHER 4-16 INOX A2	2,00			--
0064	LAFN09008		SHEET METAL PA. -	1,00			--
0065	KTRI02014		KIT -	1,00			--
0066	LAFN08923		BULKWARD -	1,00			--
0067	RCVR00766		SENSOR ACQUASTOP AUTO FILLING	1,00			--
0068	GUVR01011		GASKET 1/2"	1,00			--
0069	RCVR00103		JOINT R 1/2"	1,00			--
0070	VTVT01300		SCREW TE M5X12 INOX	4,00			--
0071	VTRS00515		WASHER D. 4 INX	2,00			--
0072	RCVR00778		NIPPLE 1"1/2	1,00			--
0073	GUGO00319		O-RING 1"1/2	1,00			--
0074	RCVR00776		CONNECTION 1" 1/2	1,00			--
0075	MPVR06015		COVER -	1,00			--
0076	FSVR00033		CLAMP 45-60	1,00			--
0077	MPVR06103		BRACKET -	1,00			--
0078	GUVR00320		GASKET -	1,00			--
0079	MPVR10814		CAP 2"	8,00			--
0080	MPVR10813		CAP 2"	8,00			--
0081	VTVT01708		SCREW STS-plus KN6039 8x50	1,00			--
0082	VTVT01708		SCREW STS-plus KN6039 8x50	1,00			--
0083	VTVT01708		SCREW STS-plus KN6039 8x50	1,00			--
0084	VTVT01709		SCREW STS-plus KN6039 8x25	1,00			--
0085	VTVT01709		SCREW STS-plus KN6039 8x25	1,00			--
0086	VTVT01708		SCREW STS-plus KN6039 8x50	1,00			--
0087	VTVT01708		SCREW STS-plus KN6039 8x50	1,00			--



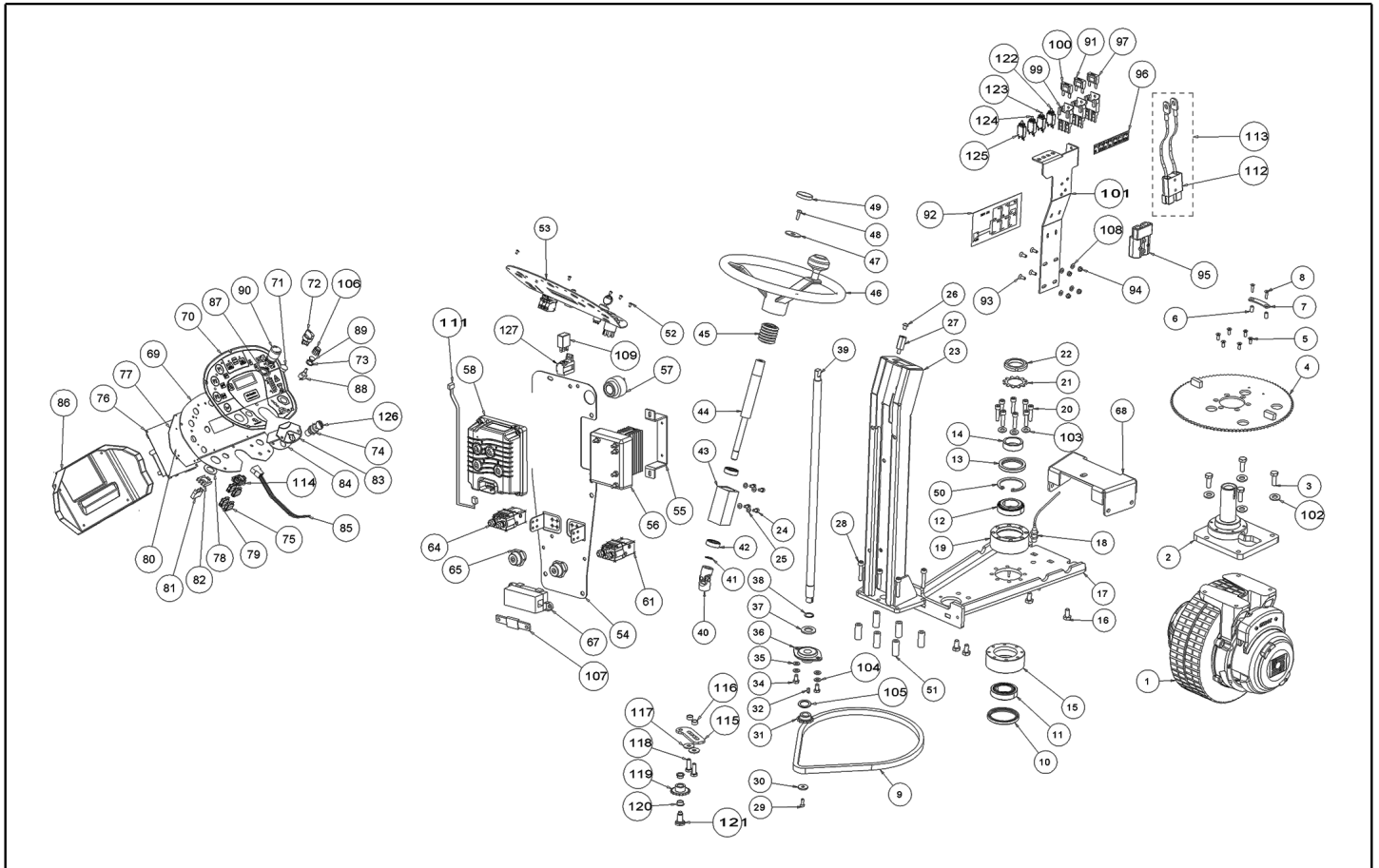
Ref. K	Part n.	Part n. 2	Description	Quantity	Validity		Price
					From	To	
0088	GUGO00506		O-RING OR158	16,00			--
0089	LAFN11169		ROD	1,00	24/05/2017		--
0090	MLML00488		SPRING -	1,00	24/05/2017		--
0091	LAFN11170		BUSHING	1,00	24/05/2017		--
0092	VTVT00766		SCREW TE M. 5-25	1,00	24/05/2017		--
0093	VTVT00766		SCREW TE M. 5-25	1,00	24/05/2017		--
0094	LAFN11168		HINGE	1,00	24/05/2017		--



Ref. K	Part n.	Part n. 2	Description	Quantity	Validity		Price
					From	To	
0001	MEVR34439		CARBON 10X18X19	4,00			--
0001	MOCC00385		MOTORWHEEL 36V 1100 W D.300	1,00			--
0001	MOCC00407		MOTOR ELECTRIC TRAC.-WHEEL 230	1,00			--
0001	RTRT00442		WHEEL PU BLUE CT230 300x100	1,00			--
0002	LAFN06994		SPACER -	1,00			--
0003	VTVT01541		SCREW TE M 10x30 INOX UNI5739	4,00			--
0004	LAFN06995		BRAKE -	1,00			--
0005	VTVT13940		SCREW M 6X 20 TSPEI UNI 5933	6,00			--
0006	LAFN03742		SPACER SILENZIATORE	2,00			--
0007	LAFN08836		BRACKET -	1,00			--
0008	VTVT15962		SCREW M 5X 25 TSPEI UNI 5933	2,00			--
0009	MTCR00085		CHAIN 3/8"	1,00			--
0010	PVVR00044		GASKET	1,00			--
0011	CUVR00187		BEARING -	1,00			--
0012	CUVR00187		BEARING -	1,00			--
0013	PVVR00045		GASKET	1,00			--
0014	LAFN08828		BUSHING -	1,00			--
0015	LAFN08830		BUSHING -	1,00			--
0016	VTVT13936		SCREW TE M 10X 20	4,00			--
0017	LAFN06993		PLATE -	1,00			--
0018	MECI00535		SENSOR -	1,00			--
0019	LAFN08829		RING -	1,00			--
0020	VTVT01310		SCREW TCEI 8X60 INOX UNI5931	8,00			--
0021	VTRS00572		WASHER -	1,00			--
0022	VTVR00563		RING NUT -	1,00			--
0023	LAFN05787		ASSEMBLED PIANTONE	1,00			--
0024	VTVT15906		SCREW TE 6X 12 A2 UNI 5739	4,00			--
0025	VTRS00245		WASHER D.6 UNI 6592 INOX	4,00			--
0026	VTVT47025		SCREW TBCE ISO 7380 10X16 ZB	1,00			--
0027	LAFN00474		PIN FISS.COFANURE SIRIO L.45	1,00			--
0028	VTVT01310		SCREW TCEI 8X60 INOX UNI5931	6,00			--
0029	VTVT00717		SCREW TCEI M. 6-16	1,00			--
0030	LAFN04134		WASHER PIGNONE STERZO	1,00			--
0031	MTCR00070		PINION ALBERO STERZO P185	1,00			--
0032	VTVR00229		KEY 5X5X12	1,00			--
0034	VTVT15916		SCREW TE M 8X 16 UNI 5739 A2	2,00			--
0035	VTRS13947		WASHER D. 8 INX UNI 6592	2,00			--
0036	CUVR00105		BEARING SB204KDF+PFL204PTN	1,00			--
0037	LAFN07029		SPACER -	1,00			--
0038	VTAE06193		CIRCLIP D. 20 UNI 7435	1,00			--
0039	LAFN08820		SHAFT -	1,00			--
0040	VTVR00057		ARTICULATION STEERING	1,00			--
0041	VTAE17003		CIRCLIP ESTERNO DIN 471 D.15	1,00			--
0042	CUVR17004		BALL BEARING 6202 -2RS1	2,00			--



Ref. K	Part n.	Part n. 2	Description	Quantity	Validity		Price
					From	To	
0043	LAFN04133		HUB ALBERO STERZO	1,00			--
0044	LAFN04076		SHAFT STERZO SUPERIORE P185	1,00			--
0045	MPVR51068		PROTECTOR STEERING	1,00			--
0046	MPVR01517		STEERING WHEEL	1,00			--
0047	VTRS44254		WASHER UNI 6593 10X40X2,5 ZB	1,00			--
0048	VTVT47025		SCREW TBCE ISO 7380 10X16 ZB	1,00			--
0049	MPVR47026		CAP PER VOLANTE	1,00			--
0050	VTAE00081		CIRCLIP -	1,00			--
0051	LAFN08885		SPACER -	6,00			--
0052	VTVT00881		SCREW TC+ M4x6 TRILOBATA INOX	4,00			--
0053	MECE00794		BOARD COMPLETE CT160-230	1,00			--
0054	LAFN08876		SUPPORT -	1,00			--
0055	LAFN08877		SUPPORT -	1,00			--
0056	MECE00526		BOARD POWER SERVICE CT160-CT230	1,00			--
0057	MEVR01436		BUZZER -	1,00			--
0058	MECE00841		BOARD CURTIS 1229 CT230	1,00			--
0061	METT00086		CONTACTOR 100A	1,00			--
0064	METT00086		CONTACTOR 100A	1,00			--
0065	MEVR47082		INSULATOR MM35 M6 CH 32	2,00			--
0067	MEVR00146		FUSE-HOLDER MEGA	1,00			--
0068	LAFN08813		PLATE -	1,00			--
0069	LAFN08851		SUPPORT -	1,00			--
0070	ETET01663		LABEL -	1,00			--
0071	RCVR00266		CAP D.19	1,00			--
0072	MEVR02011		SELECTOR -	1,00			--
0073	MEVR01574		RING NUT 2204	1,00			--
0074	MECI75805		SWITCH KEY FOR BATTERY MACHINES	1,00			--
0075	MEVR02039		CONTACT -	2,00			--
0076	MECE00532		BOARD LOGIC CT160-CT230 CURTIS	1,00			--
0077	MECE00531		BOARD DISPLAY CT160-CT230	1,00			--
0078	MPVR11693		WASHER Ø22,5X39,6X2,4 PA	1,00			--
0079	MEVR02012		CONTACT -	2,00			--
0080	MECE00533		BOARD INTERFACE CURTIS-CHEMICAL	1,00			--
0081	MECI00584		CONTACT -	1,00			--
0082	MECI00583		SMALL BASKET -	1,00			--
0083	ETET01664		LABEL -	1,00			--
0084	LAFN08869		SUPPORT -	1,00			--
0085	MECB02035		WIRING	1,00			--
0086	MPVR05840		COVER -	1,00			--
0087	MPVR11692		ADAPTER BOTTON	1,00			--
0088	KTRI05576		KIT POTENTIOMETER SPEED CONTR	1,00			--
0089	MEVR01575		CAP 2202	1,00			--
0090	MECI00582		BUTTON -	1,00			--
0091	MEVR02588		FUSE 50A	1,00			--



Ref. K	Part n.	Part n. 2	Description	Quantity	Validity		Price
					From	To	
0092	ETET01408		LABEL SCHEMA COLLEG. BATTERIE	1,00			--
0093	VTVT00832		SCREW TSPEI M6X16 INOX	4,00			--
0094	VTDD01694		NUT M6 INOX	4,00			--
0095	MEVR01148		SOCKET CONNECTOR 175 A GRIGIO	1,00			--
0096	ETET16390		LABEL FUSE CT230	1,00			--
0097	MEVR02588		FUSE 50A	1,00			--
0100	MEVR02587		FUSE 30A	1,00			--
0101	LAFN11447		BRACKET SPINA BATT.E FUS. CT230	1,00			--
0102	VTRS15523		WASHER D.10 X21 INOX UNI 6592	4,00			--
0103	VTRS13947		WASHER D. 8 INX UNI 6592	8,00			--
0104	VTRS15146		WASHER GROVER A2 UNI1751	2,00			--
0105	LAFN07030		SPACER -	1,00			--
0106	MEVR01573		SMALL KNOB 2200 V6	1,00			--
0107	MEVR01925		FUSE 150A	1,00			--
0108	VTRS00245		WASHER D.6 UNI 6592 INOX	4,00			--
0109	MECE00456		RELAY CT110	1,00			--
0111	MECB01319		WIRING CURTIS	1,00			--
0112	MEVR01148		SOCKET CONNECTOR 175 A GRIGIO	1,00			--
0113	MECB07611		PLUG	1,00			--
0114	MEVR02038		SUPPORT -	1,00			--
0115	LAFN11195		SUPPORT CT160 R	1,00			--
0116	LAFN11197		SPACER -	2,00			--
0117	VTRS15523		WASHER D.10 X21 INOX UNI 6592	2,00			--
0118	VTVT01549		SCREW TE M10-40	2,00			--
0119	MTPL00238		ROLLER CT160	1,00			--
0120	CUVR00192		BUSHING -	2,00			--
0121	LAFN11196		PIN CT160	1,00			--
0122	MEVR02586		FUSE 3A	1,00			--
0123	MEVR02585		FUSE 2A	1,00			--
0124	MEVR02584		FUSE 1,5A	1,00			--
0125	MEVR02586		FUSE 3A	1,00			--
0126	MEVR00093		KEY SPARE BATTERY VERSION	1,00			--
0127	MEVR02888		BASE TE V23333-Z1001-B045	1,00			--