

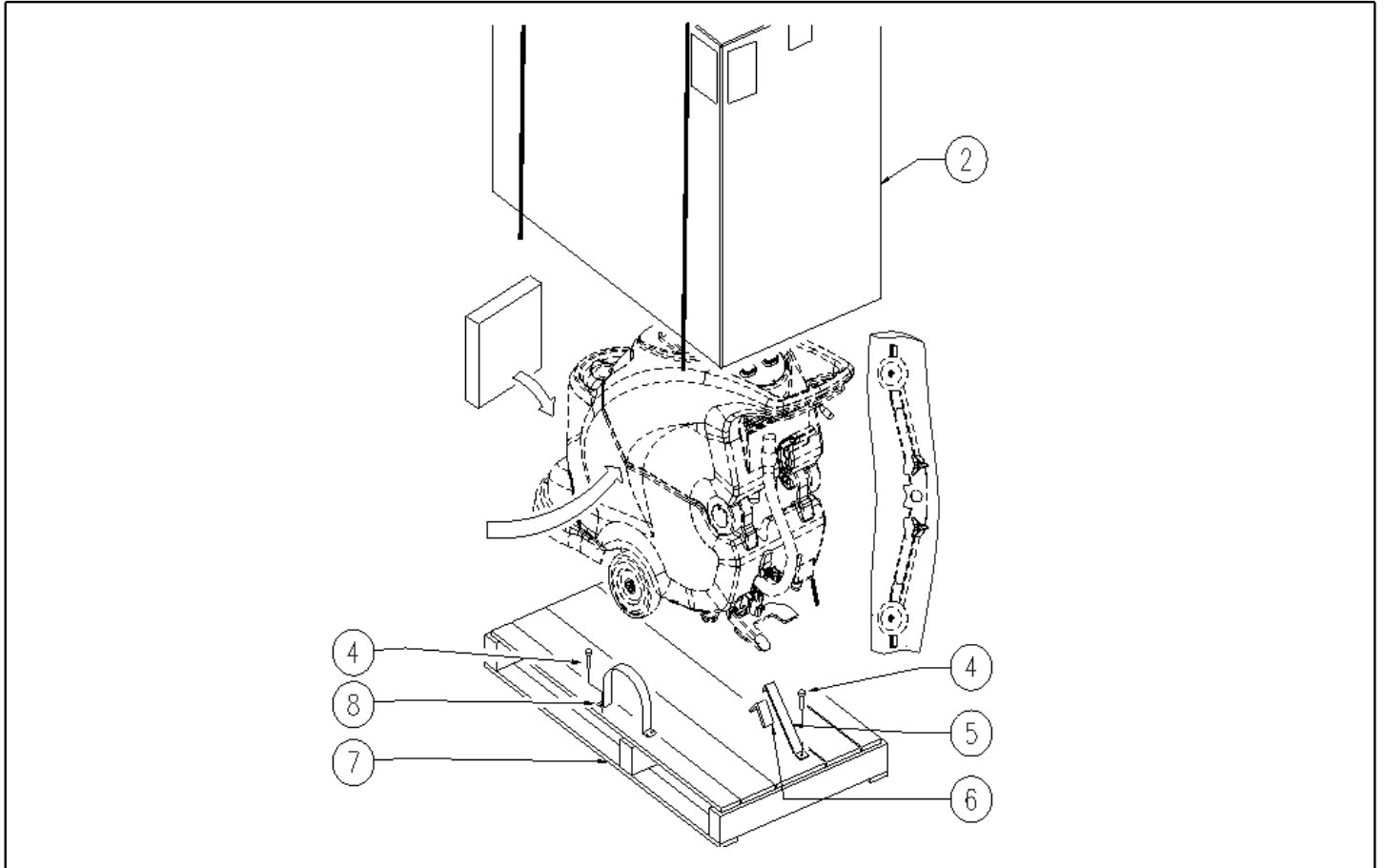


**IPC**

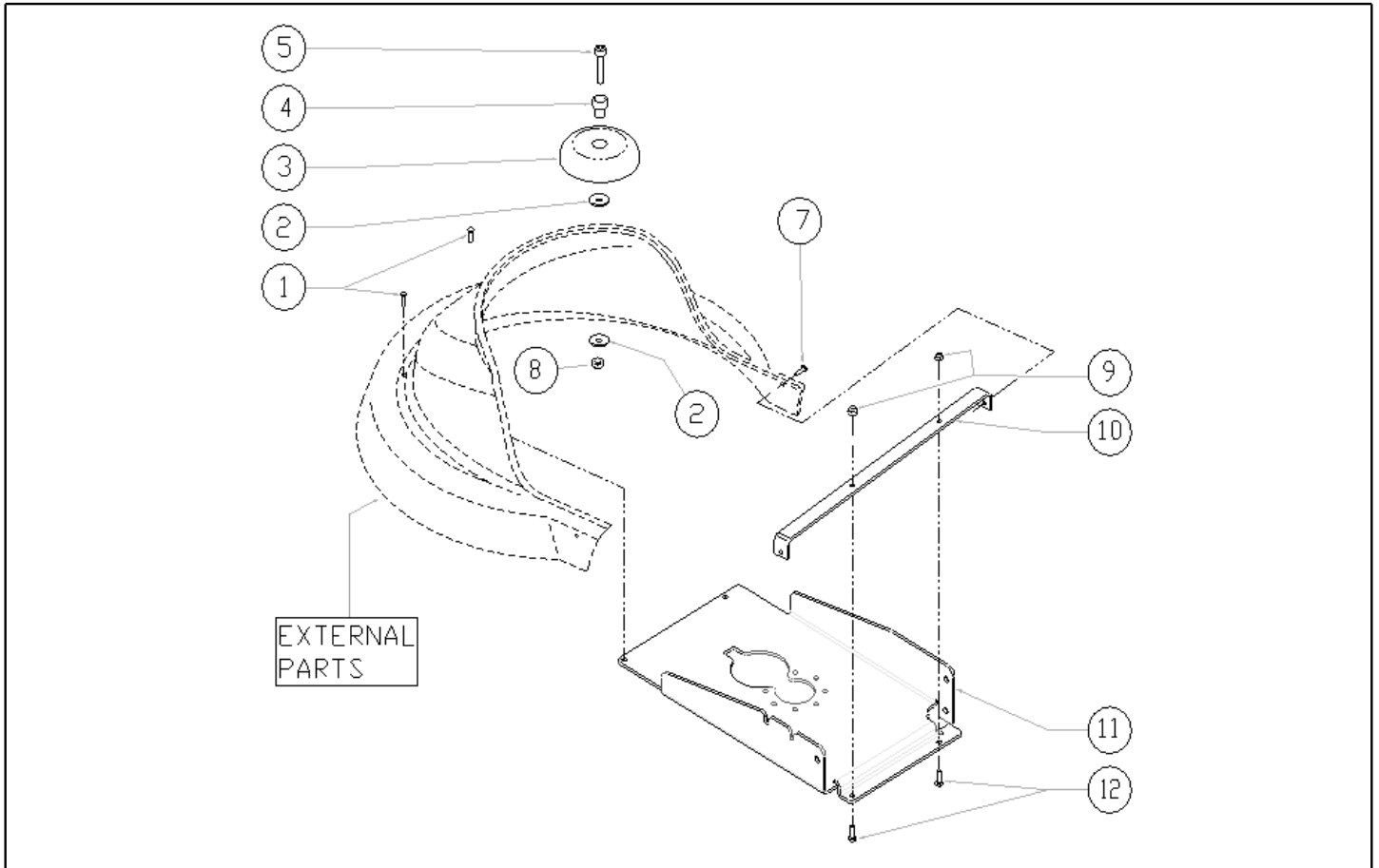
**Spare parts list**

Ref: LPTB01408

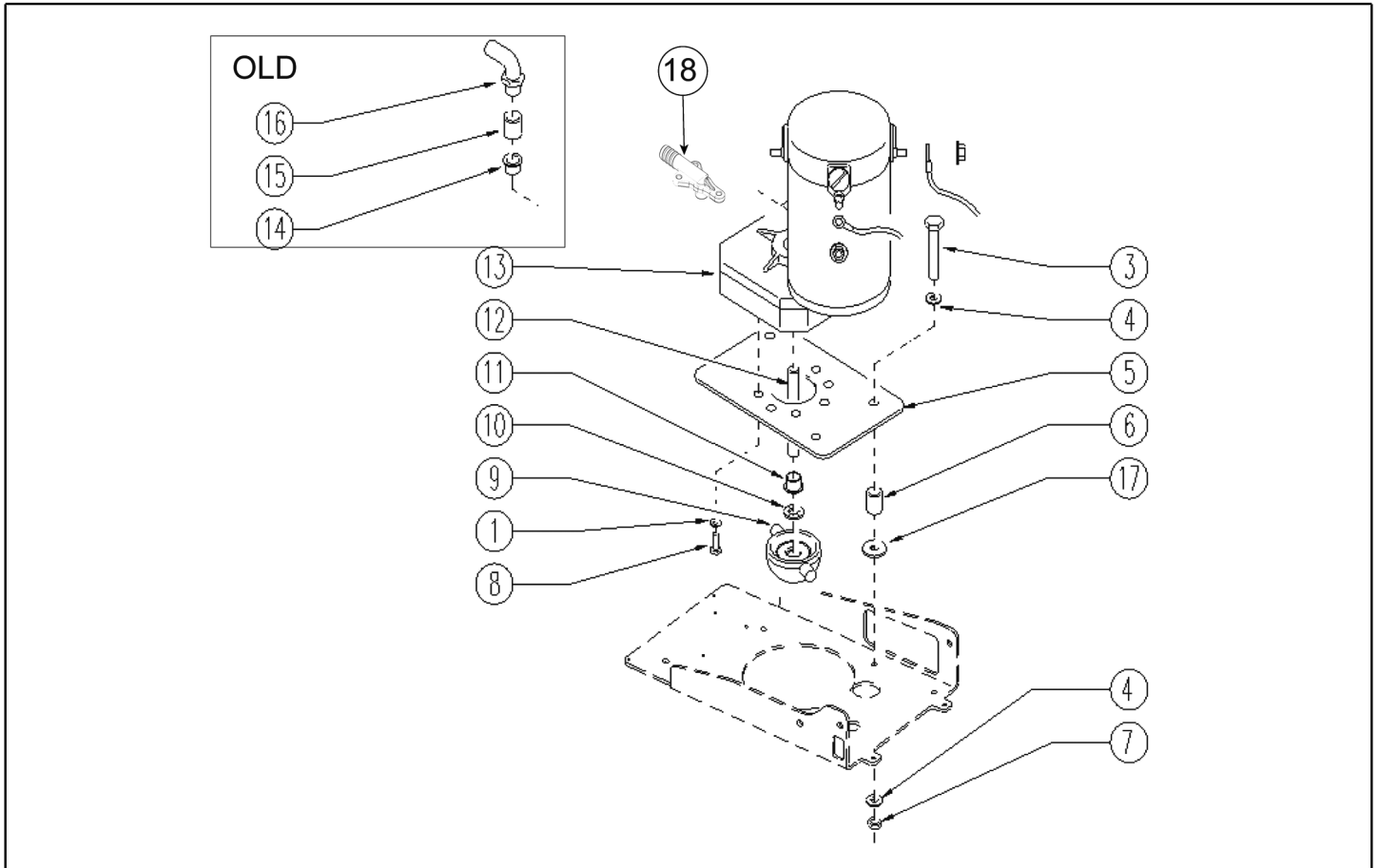
Model: FLOOR WASHER CT40 BT50 GR/VE



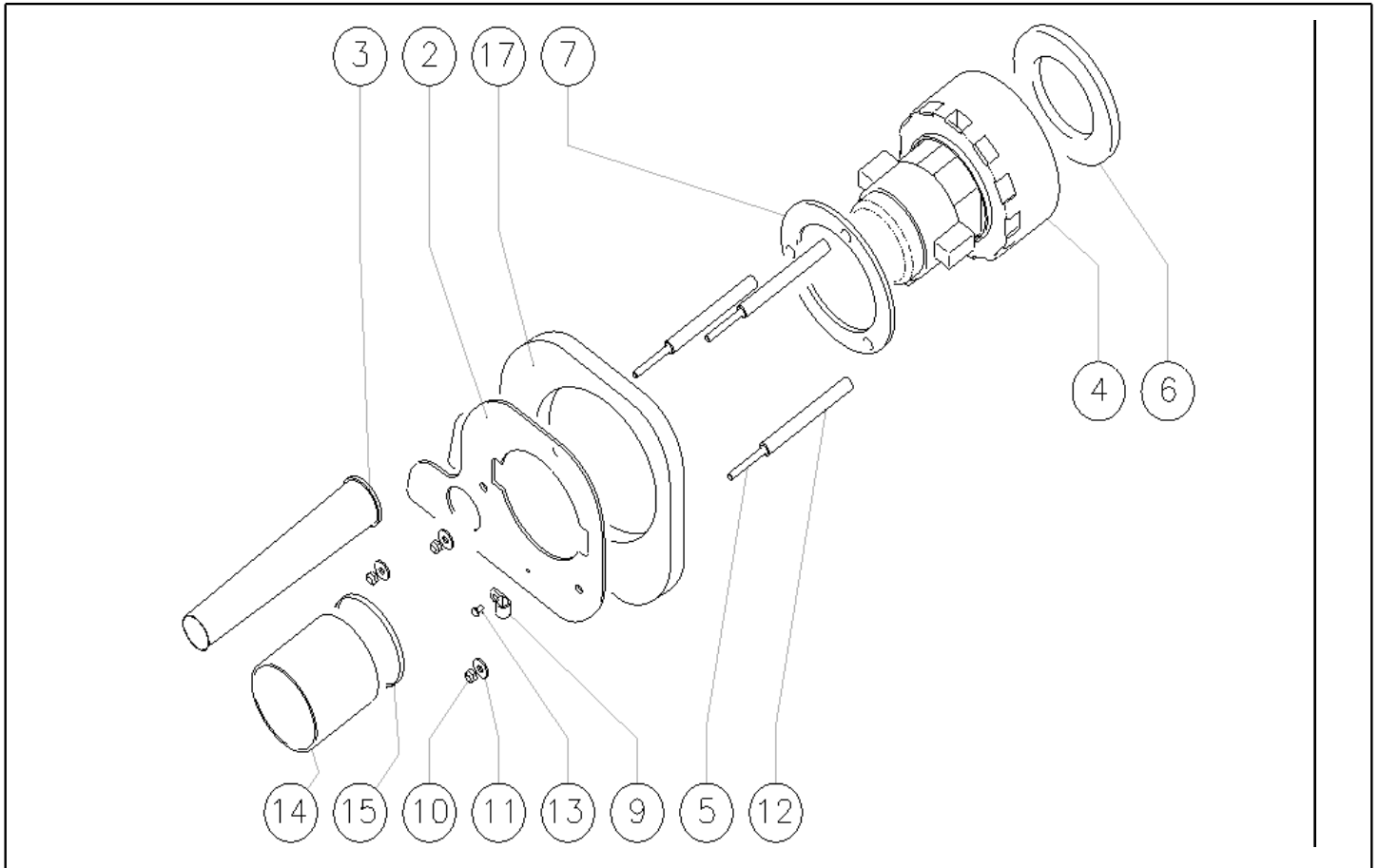
| Ref. K | Part n.   | Part n. 2 | Description                     | Quantity | Validity |    | Price |
|--------|-----------|-----------|---------------------------------|----------|----------|----|-------|
|        |           |           |                                 |          | From     | To |       |
| 0002   | MICT00147 |           | CARTON IMBALLO RULLI            | 1,00     |          |    | --    |
| 0004   | VTVT00043 |           | SCREW AUTOF.LEGNO 4,5X25 TS BR  | 9,00     |          |    | --    |
| 0005   | MIVR00137 |           | CLAMP RUOTA POSTERIORE X IMBAL. | 1,00     |          |    | --    |
| 0006   | GUGO00009 |           | MOUSSE                          | 0,05     |          |    | --    |
| 0007   | MIBA00077 |           | PALLET RULLI                    | 1,00     |          |    | --    |
| 0008   | MIVR00135 |           | CLAMP RUOTA POSTERIORE X IMBAL. | 2,00     |          |    | --    |



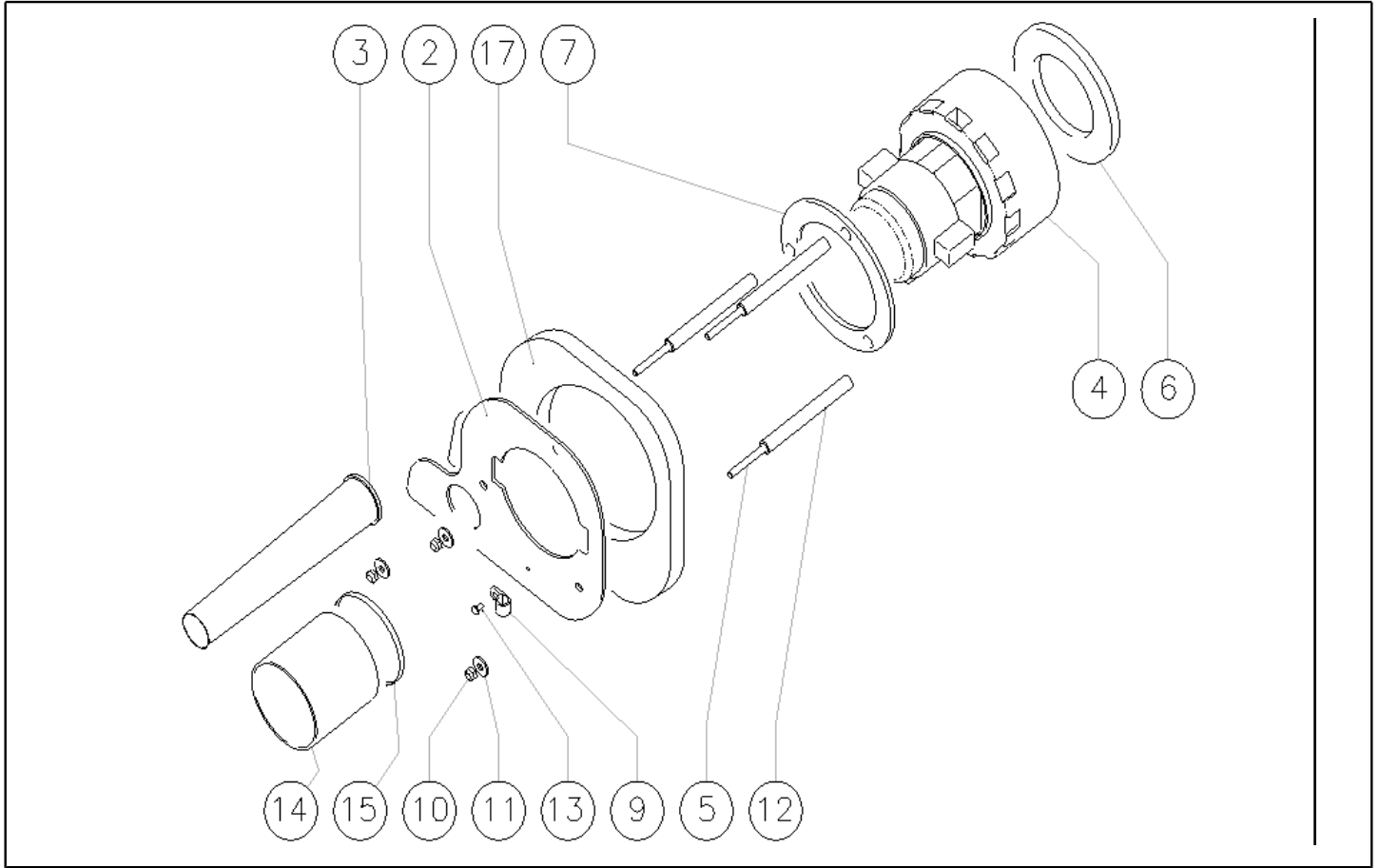
| Ref. K | Part n.   | Part n. 2 | Description                      | Quantity | Validity   |            | Price |
|--------|-----------|-----------|----------------------------------|----------|------------|------------|-------|
|        |           |           |                                  |          | From       | To         |       |
| 0001   | VTVT00659 |           | SCREW TC+ M. 4-15                | 2,00     |            | 14/02/2010 | --    |
| 0001   | VTVT01366 |           | SCREW M4X16                      | 2,00     | 15/02/2010 | 07/04/2016 | --    |
| 0001   | VTVT01004 |           | SCREW TC+ M4 X 10 TRILOBATA      | 2,00     | 08/04/2016 |            | --    |
| 0002   | VTRS13946 |           | WASHER D. 8 X24 INX UNI 6593     | 2,00     |            |            | --    |
| 0003   | MPVR05290 |           | ROLLER SIDE BUMPER WHEEL         | 1,00     |            |            | --    |
| 0004   | LAFN03915 |           | BUSHING NUOVO RUOTINO STRONG     | 1,00     |            |            | --    |
| 0005   | VTVT17349 |           | SCREW TCEI M 8X30                | 1,00     |            | 16/06/2009 | --    |
| 0005   | VTVT00822 |           | SCREW TCEI M 8-30                | 1,00     | 17/06/2009 |            | --    |
| 0007   | VTVT01366 |           | SCREW M4X16                      | 2,00     |            |            | --    |
| 0008   | VTDD01695 |           | NUT M 8 INX                      | 1,00     |            |            | --    |
| 0009   | VTDD15518 |           | NUT M 6 INX                      | 2,00     |            |            | --    |
| 0010   | LAFN05899 |           | SUPPORT BRACKET CARTER 1 EXTREME | 1,00     |            |            | --    |
| 0011   | LAFN07373 |           | PLATE RIDUTTORE                  | 1,00     |            |            | --    |
| 0012   | VTVT15143 |           | SCREW TE 6X16 UNI5739            | 2,00     |            |            | --    |



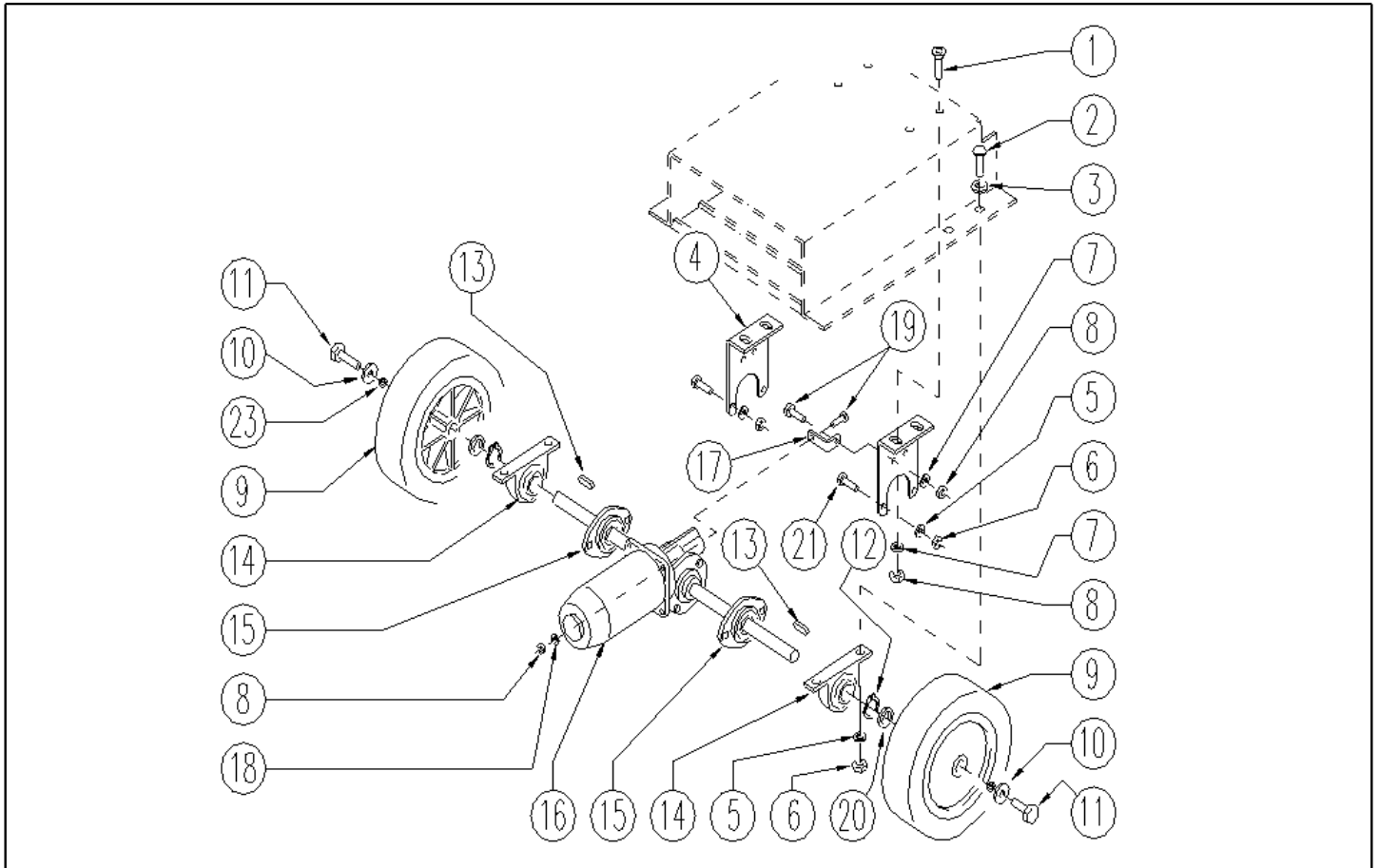
| Ref. K | Part n.   | Part n. 2 | Description                       | Quantity | Validity   |            | Price |
|--------|-----------|-----------|-----------------------------------|----------|------------|------------|-------|
|        |           |           |                                   |          | From       | To         |       |
| 0001   | VTRS15144 |           | WASHER D. 6 INX GRW UNI 1751      | 8,00     |            |            | --    |
| 0003   | VTVT13937 |           | SCREW TE M 8X 30 INX UNI 5739     | 4,00     |            | 01/03/2008 | --    |
| 0004   | VTRS13947 |           | WASHER D. 8 INX UNI 6592          | 4,00     |            | 01/03/2008 | --    |
| 0005   | LAFN05920 |           | FLANGE RIDUTTORE                  | 1,00     |            | 01/03/2008 | --    |
| 0006   | RCDS34717 |           | BUSHING D. 9X12X 8.3              | 4,00     |            | 01/03/2008 | --    |
| 0007   | VTDD01695 |           | NUT M 8 INX                       | 4,00     |            | 01/03/2008 | --    |
| 0008   | VTVT15906 |           | SCREW TE 6X 12 A2 UNI 5739        | 8,00     |            |            | --    |
| 0009   | MFVR00134 |           | DRIVE DISK ALUMINIUM S.B.         | 1,00     |            |            | --    |
| 0010   | MPVR02997 |           | CLIP ANELLO X PERNO D10           | 1,00     |            | 18/05/2009 | --    |
| 0010   | VTVR00416 |           | HANDWHEEL M 6MAX110 D.35          | 1,00     | 19/05/2009 |            | --    |
| 0011   | CUVR43254 |           | BUSHING CB 85 1010 18T            | 1,00     |            | 24/07/2013 | --    |
| 0012   | LAFN04202 |           | TUBE SOLUZIONE INOX D10           | 1,00     |            | 24/07/2013 | --    |
| 0013   | MOCC00298 |           | MOTOR.GEARBOX MRP6                | 1,00     |            | 11/02/2008 | --    |
| 0013   | MOCC00327 |           | MOTOR GEARBOX 24V 550W            | 1,00     | 12/02/2008 | 24/07/2013 | --    |
| 0013   | MOCC00344 |           | CARBON BRUSH 00701535             | 4,00     |            |            | --    |
| 0013   | MOCC00405 |           | MOTOR BRUSH 24V 155RPM 550W       | 1,00     | 25/07/2013 |            | --    |
| 0014   | CUVR43254 |           | BUSHING CB 85 1010 18T            | 1,00     |            | 24/07/2013 | --    |
| 0015   | LAFN51028 |           | BUSHING                           | 1,00     |            | 24/07/2013 | --    |
| 0016   | RCVR45752 |           | HOSE FITTING "L" 3/8M - D.10 PLS. | 1,00     |            | 24/07/2013 | --    |
| 0017   | VTRS00241 |           | WASHER D. 8-24                    | 4,00     |            | 01/03/2008 | --    |
| 0018   | RCDS00046 |           | CONNECTOR -                       | 1,00     | 25/07/2013 |            | --    |



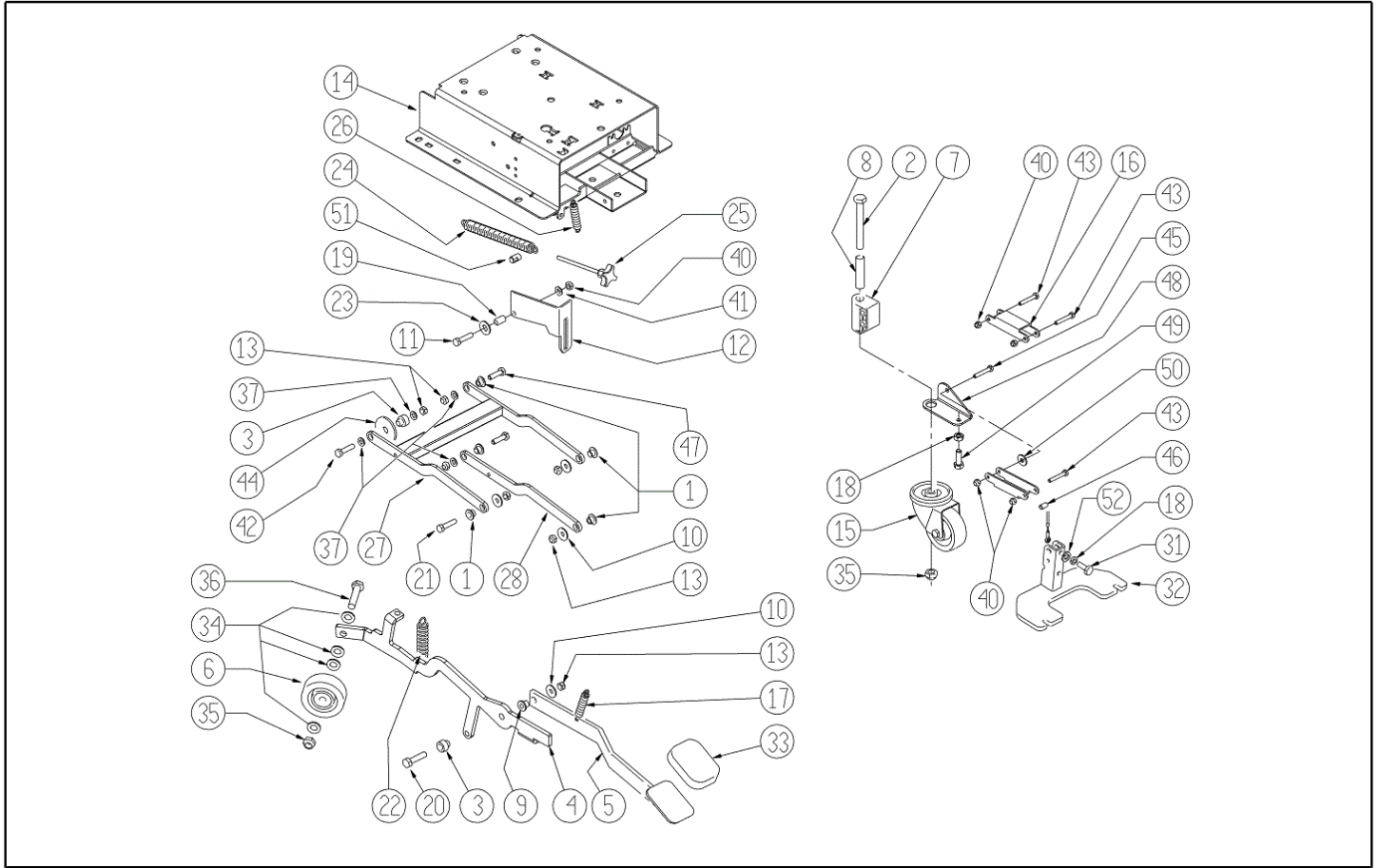
| Ref. K | Part n. | Part n. 2 | Description                   | Quantity | Validity   |            | Price |
|--------|---------|-----------|-------------------------------|----------|------------|------------|-------|
|        |         |           |                               |          | From       | To         |       |
| 0002   | S       | LAFN06363 | FLANGE ASPIRATORE             | 1,00     |            |            | --    |
| 0003   | S       | TBFX00244 | TUBE D 34 L200MM              | 1,00     |            | 14/06/2007 | --    |
| 0003   | S       | MPVR05259 | TUBE SCARICO                  | 1,00     | 15/06/2007 |            | --    |
| 0004   | S       | MOCC00253 | MOTOR ASPIR.BIST.24V          | 1,00     |            | 04/11/2008 | --    |
| 0004   | S       | MOCC00349 | MOTOR VACUUM 2 STAGES 24V     | 1,00     | 05/11/2008 |            | --    |
| 0004   | S       | MEVR05200 | CARBON BRUSH VACUUM 116599-XX | 2,00     |            |            | --    |
| 0005   | S       | VTVR00198 | ROD                           | 3,00     |            |            | --    |
| 0006   | S       | GUGO00272 | GASKET VACUUM MOTOR CT        | 1,00     |            |            | --    |
| 0007   | S       | MPVR04724 | FLANGE IN NYLON               | 1,00     |            |            | --    |
| 0009   | S       | FSVR00099 | CLAMP FERMATUBO               | 1,00     |            |            | --    |
| 0010   | S       | VTDD01694 | NUT M6 INOX                   | 3,00     |            |            | --    |
| 0011   | S       | VTRS13945 | WASHER D. 6X18 INX UNI 6593   | 3,00     |            |            | --    |
| 0012   | S       | LAFN51078 | SPACER SH                     | 3,00     |            |            | --    |
| 0013   | S       | VTVT00813 | SCREW M 4X 8 TCB-TC UNI 8112  | 1,00     |            |            | --    |
| 0014   | S       | TBFX00268 | SUCTION HOSE D80 L=80MM       | 1,00     |            | 30/04/2007 | --    |
| 0014   | S       | TBFX00312 | TUBE ASPIRAZIONE              | 1,00     | 01/05/2007 |            | --    |
| 0015   | S       | FSVR00500 | CLAMP 80-100 INOX             | 1,00     |            | 30/04/2007 | --    |
| 0015   | S       | FSVR00118 | CLAMP D.94                    | 1,00     | 01/05/2007 |            | --    |
| 0017   | S       | MPVR05103 | SOUND-PROOFING ASPIRATORE     | 1,00     |            |            | --    |



| Ref. Part n. | Part n. 2 | Description | Reference   | Price |
|--------------|-----------|-------------|---|-------|
| KTRI01781    |           |             | 0002 0003 0004 0006 0007 0009 0013 0014 0015 0017 | --    |

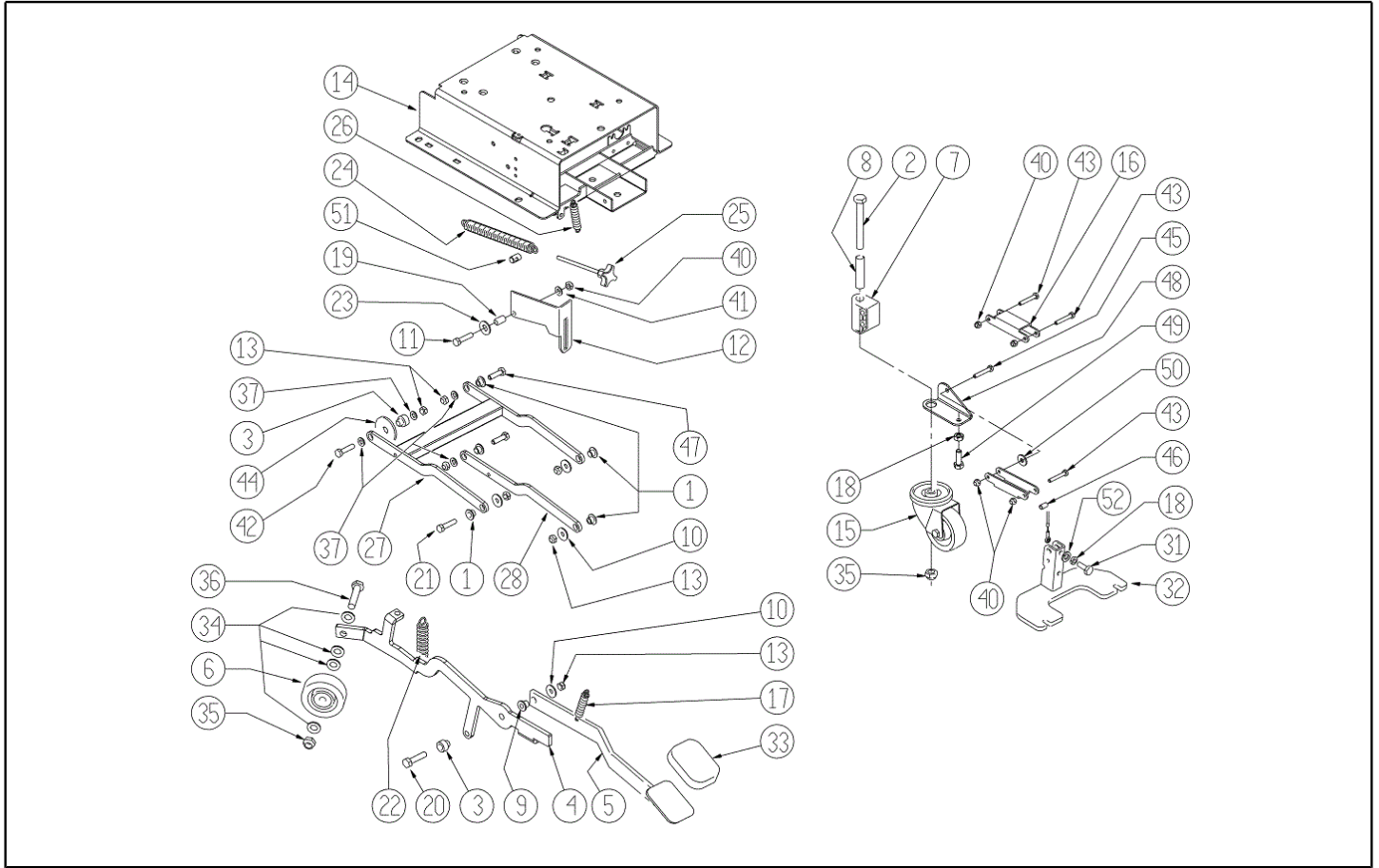


| Ref. K | Part n.   | Part n. 2 | Description                  | Quantity | Validity |    | Price |
|--------|-----------|-----------|------------------------------|----------|----------|----|-------|
|        |           |           |                              |          | From     | To |       |
| 0001   | VTVT13940 |           | SCREW M 6X 20 TSPEI UNI 5933 | 4,00     |          |    | --    |
| 0002   | VTVT00842 |           | SCREW                        | 4,00     |          |    | --    |
| 0003   | VTRS15978 |           | WASHER D.12X24 UNI 6592 INX  | 4,00     |          |    | --    |
| 0004   | LAFN09092 |           | BRACKET MOTORE               | 2,00     |          |    | --    |
| 0005   | VTRS13947 |           | WASHER D. 8 INX UNI 6592     | 8,00     |          |    | --    |
| 0006   | VTDD01695 |           | NUT M 8 INX                  | 8,00     |          |    | --    |
| 0007   | VTRS13945 |           | WASHER D. 6X18 INX UNI 6593  | 5,00     |          |    | --    |
| 0008   | VTDD01694 |           | NUT M6 INOX                  | 6,00     |          |    | --    |
| 0009   | RTRT00503 |           | WHEEL CT40                   | 2,00     |          |    | --    |
| 0010   | VTRS13946 |           | WASHER D. 8 X24 INX UNI 6593 | 2,00     |          |    | --    |
| 0011   | VTVT15916 |           | SCREW TE M 8X 16 UNI 5739 A2 | 2,00     |          |    | --    |
| 0012   | VTAE06193 |           | CIRCLIP D. 20 UNI 7435       | 2,00     |          |    | --    |
| 0013   | VTVR33668 |           | KEY 6x 6x40 UNI 6604A        | 2,00     |          |    | --    |
| 0014   | CUVR00169 |           | BEARING FLANGIA P47          | 2,00     |          |    | --    |
| 0015   | CUVR00105 |           | BEARING SB204KDF+PFL204PTN   | 2,00     |          |    | --    |
| 0016   | MOCC00348 |           | MOTOR AOMPDIF 24V 145W       | 1,00     |          |    | --    |
| 0016   | MEVR01070 |           | CARBON                       | 2,00     |          |    | --    |
| 0017   | LAFN09093 |           | SMALL SQUARE -               | 1,00     |          |    | --    |
| 0018   | VTRS00245 |           | WASHER D.6 UNI 6592 INOX     | 1,00     |          |    | --    |
| 0019   | VTVT13939 |           | SCREW TE 6X20 UNI5739 INX    | 2,00     |          |    | --    |
| 0020   | VTRS00019 |           | WASHER UNI 6592 FORO 20 INOX | 2,00     |          |    | --    |
| 0021   | VTVT15907 |           | SCREW TE 8X25 UNI5739 INX    | 4,00     |          |    | --    |
| 0023   | VTRS15146 |           | WASHER GROVER A2 UNI1751     | 2,00     |          |    | --    |

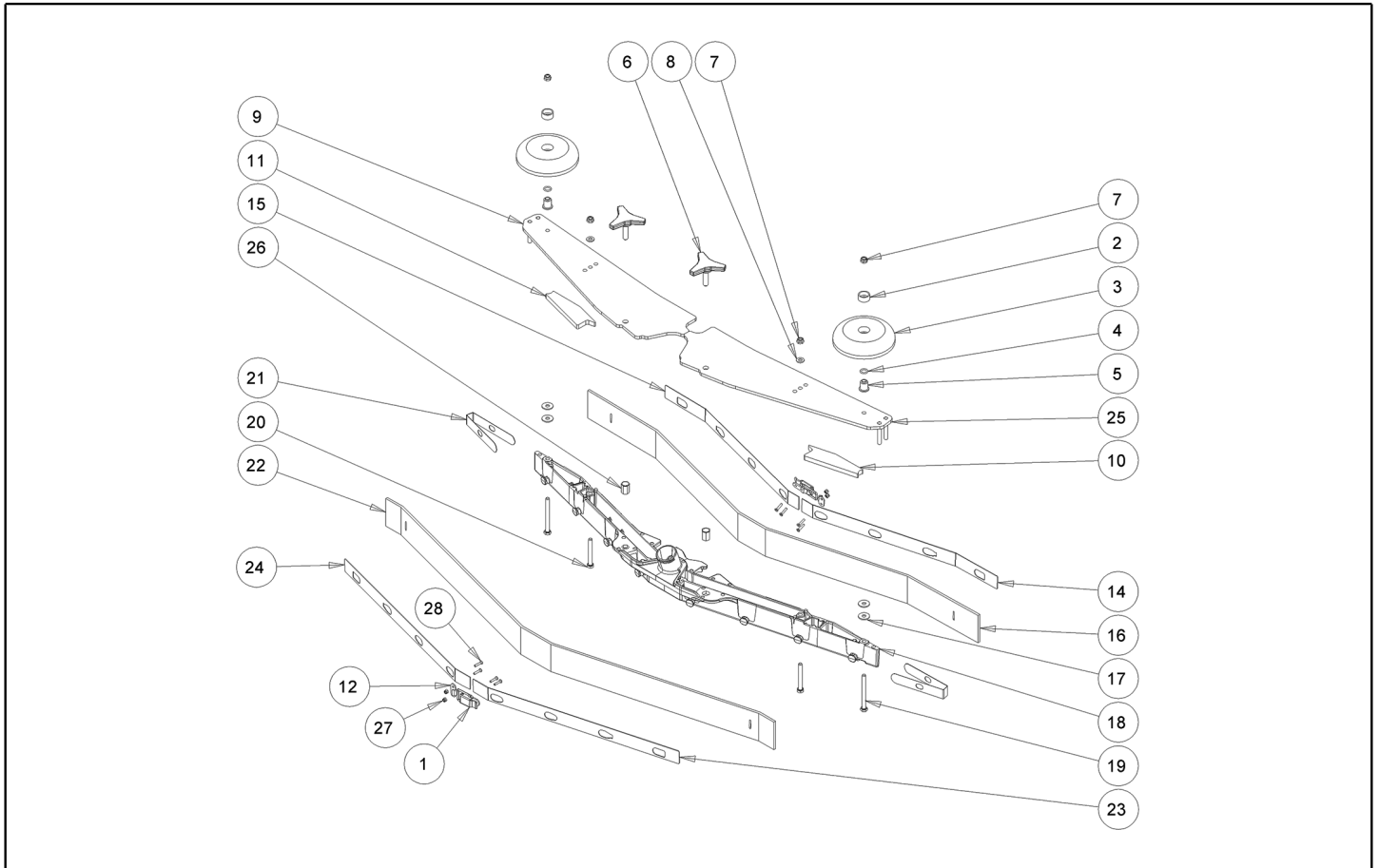


| Ref. K | Part n.   | Part n. 2 | Description                        | Quantity | Validity   |            | Price |
|--------|-----------|-----------|------------------------------------|----------|------------|------------|-------|
|        |           |           |                                    |          | From       | To         |       |
| 0001   | LAFN06391 |           | BUSHING BRUSH DECK SUPPORT         | 5,00     |            |            | --    |
| 0002   | VTVT24212 |           | SCREW TE M 12X100 UNI 5737 INOX    | 1,00     |            |            | --    |
| 0003   | LAFN04190 |           | BUSHING PARALLELOGR.TEST.GR.       | 2,00     |            |            | --    |
| 0004   | LAFN07872 |           | LEVER -                            | 1,00     |            |            | --    |
| 0005   | LAFN07602 |           | LEVER -                            | 1,00     |            | 30/06/2013 | --    |
| 0005   | LAFN09270 |           | PEDAL BRUSH HEAD LIFTING           | 1,00     | 01/07/2013 |            | --    |
| 0006   | RTRT49171 |           | CASTER D. 80-12                    | 1,00     |            |            | --    |
| 0007   | MPVR04734 |           | BLOCK TERGI                        | 1,00     |            |            | --    |
| 0008   | LAFN09006 |           | PIN -                              | 1,00     |            |            | --    |
| 0009   | LAFN51068 |           | BUSHING LEVA POSTER.               | 1,00     |            |            | --    |
| 0010   | VTRS13946 |           | WASHER D. 8 X24 INX UNI 6593       | 4,00     |            |            | --    |
| 0011   | VTVT00161 |           | SCREW TE M6X20                     | 1,00     |            | 26/02/2019 | --    |
| 0011   | VTVT13939 |           | SCREW TE 6X20 UNI5739 INX          | 1,00     | 27/02/2019 |            | --    |
| 0012   | LAFN10124 |           | PLATE                              | 1,00     |            |            | --    |
| 0013   | VTDD01695 |           | NUT M 8 INX                        | 7,00     |            |            | --    |
| 0014   | LAFN07293 |           | BASE SERBATOIO                     | 1,00     |            |            | --    |
| 0015   | RTRT00276 |           | SMALL WHEEL GIREVOLE PER SPAZZANTE | 1,00     |            | 15/03/2017 | --    |
| 0015   | RTRT00518 |           | WHEEL CASTOR D.80X30               | 1,00     | 16/03/2017 |            | --    |
| 0016   | LAFN05853 |           | LEVER ARM SOLLEVAMENTO TERGI       | 2,00     |            |            | --    |
| 0017   | MLML34726 |           | SPRING TR E350 N                   | 1,00     |            |            | --    |
| 0018   | VTDD15521 |           | NUT M 8 INX A2 UNI 5588            | 1,00     |            |            | --    |
| 0019   | LAFN03840 |           | BUSHING                            | 1,00     |            |            | --    |
| 0020   | VTVT15917 |           | SCREW TE M 8X50 INOX A2 UNI        | 1,00     |            |            | --    |
| 0021   | VTVT15907 |           | SCREW TE 8X25 UNI5739 INX          | 3,00     |            |            | --    |
| 0022   | MLML00313 |           | SPRING -                           | 1,00     |            |            | --    |
| 0023   | VTRS00274 |           | WASHER NYLON 66 D.8,4-17-2 UNI     | 1,00     |            |            | --    |
| 0024   | MLML31130 |           | SPRING D. 17.5 X110 N38            | 1,00     |            |            | --    |
| 0025   | VTVR35749 |           | HANDWHEEL M 6MAX110 D.35           | 1,00     |            |            | --    |
| 0026   | MLML00303 |           | SPRING L=54,1 D.=9,4               | 1,00     |            |            | --    |
| 0027   | LAFN06388 |           | ARM TESTATA SUPERIORE              | 1,00     |            |            | --    |
| 0028   | LAFN06389 |           | ARM PARALLELOGRAMMA                | 1,00     |            |            | --    |
| 0031   | VTVT00410 |           | SCREW TE M8x35 UNI5739 INOX        | 1,00     |            |            | --    |
| 0032   | LAFN07560 |           | PLATE -                            | 1,00     |            |            | --    |
| 0033   | MPVR05186 |           | COVER -                            | 1,00     |            |            | --    |
| 0034   | VTRS15978 |           | WASHER D.12X24 UNI 6592 INX        | 4,00     |            |            | --    |
| 0035   | VTDD00176 |           | NUT M.12 INOX A2 BASSO AUTOB.      | 2,00     |            |            | --    |
| 0036   | VTVT00836 |           | SCREW TE M12-60 INOX               | 1,00     |            |            | --    |
| 0037   | VTRS13947 |           | WASHER D. 8 INX UNI 6592           | 4,00     |            |            | --    |
| 0040   | VTDD01694 |           | NUT M6 INOX                        | 5,00     |            |            | --    |
| 0041   | VTRS00245 |           | WASHER D.6 UNI 6592 INOX           | 1,00     |            |            | --    |
| 0042   | VTVT00410 |           | SCREW TE M8x35 UNI5739 INOX        | 1,00     |            |            | --    |
| 0043   | VTVT01683 |           | SCREW TE 6X40                      | 3,00     |            |            | --    |
| 0044   | MPVR05134 |           | GASKET D.60 FORO D.12 SP.2         | 1,00     |            |            | --    |
| 0045   | VTVT01684 |           | SCREW TE 6X45                      | 1,00     |            |            | --    |

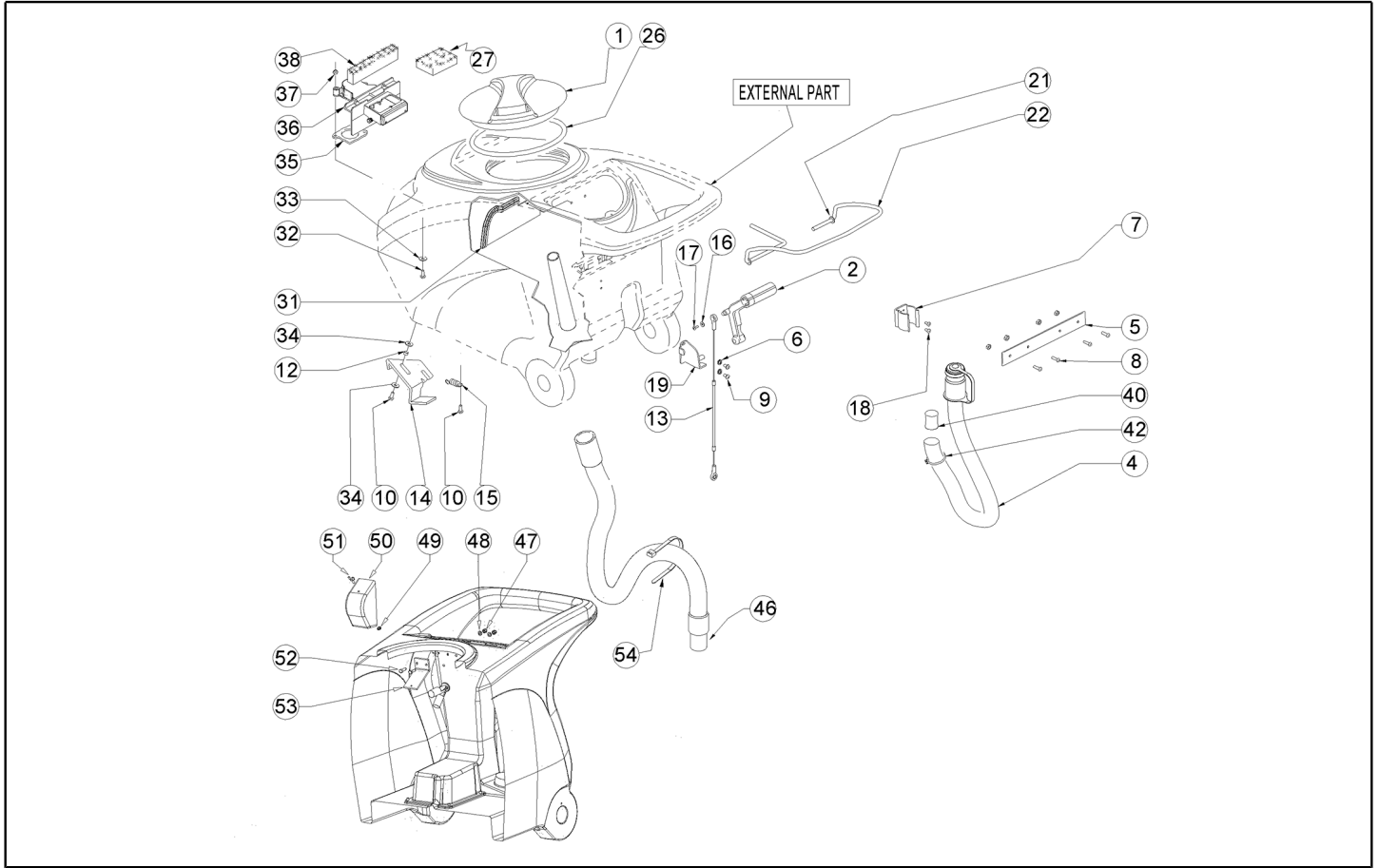




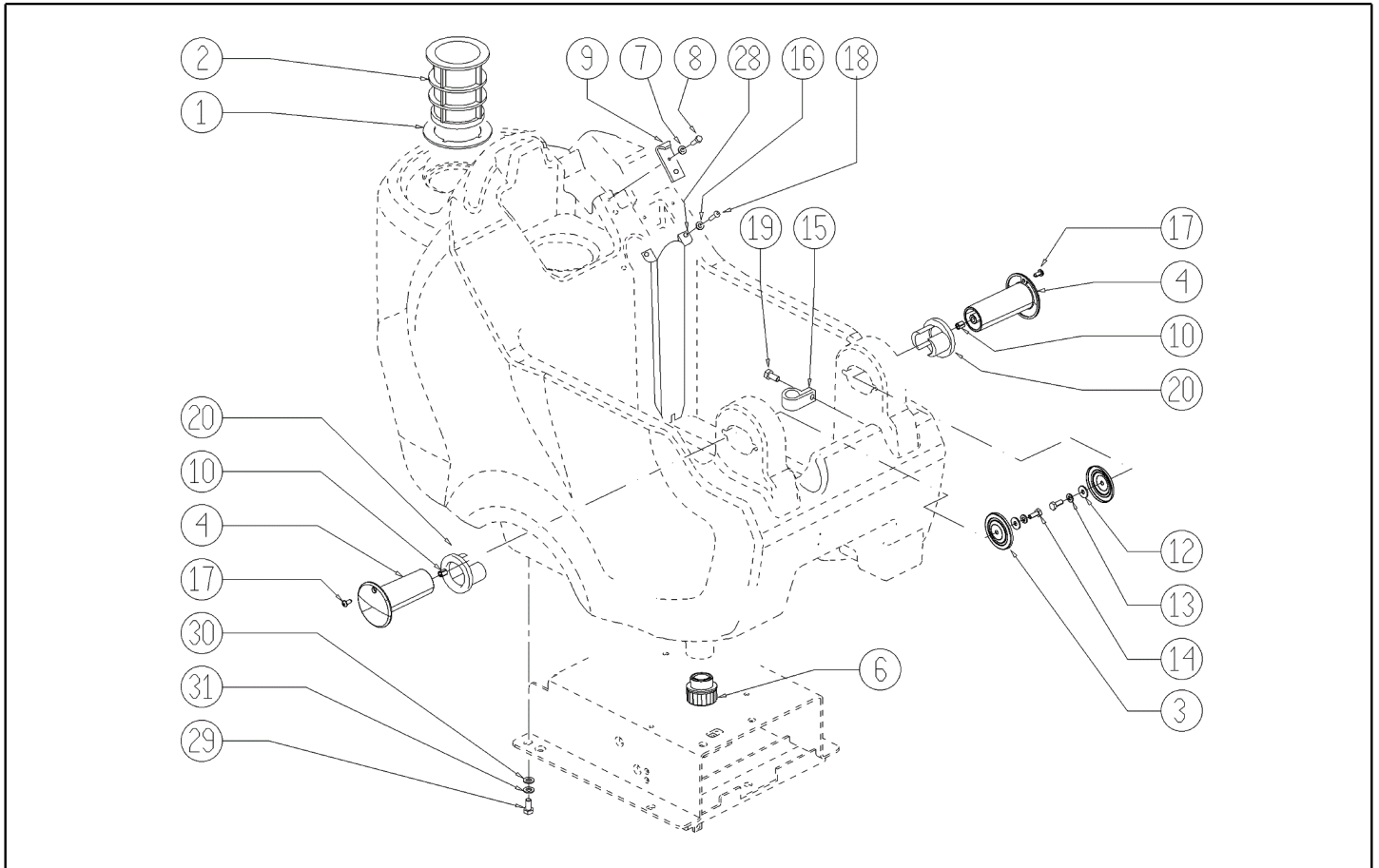
| Ref. K | Part n.   | Part n. 2 | Description                   | Quantity | Validity   |    | Price |
|--------|-----------|-----------|-------------------------------|----------|------------|----|-------|
|        |           |           |                               |          | From       | To |       |
| 0046   | LAFN06898 |           | SPACER 6-8 h15                | 1,00     |            |    | --    |
| 0047   | VTVT13937 |           | SCREW TE M 8X 30 INX UNI 5739 | 2,00     |            |    | --    |
| 0048   | LAFN08999 |           | BRACKET -                     | 1,00     |            |    | --    |
| 0049   | VTVT13938 |           | SCREW TE 8X20 UNI5739 INX     | 1,00     |            |    | --    |
| 0050   | VTRS13945 |           | WASHER D. 6X18 INX UNI 6593   | 1,00     |            |    | --    |
| 0051   | LAFN35747 |           | SPRING SUPPORT LAV. E/B 450   | 1,00     |            |    | --    |
| 0052   | VTRS15146 |           | WASHER GROVER A2 UNI1751      | 1,00     | 25/03/2013 |    | --    |



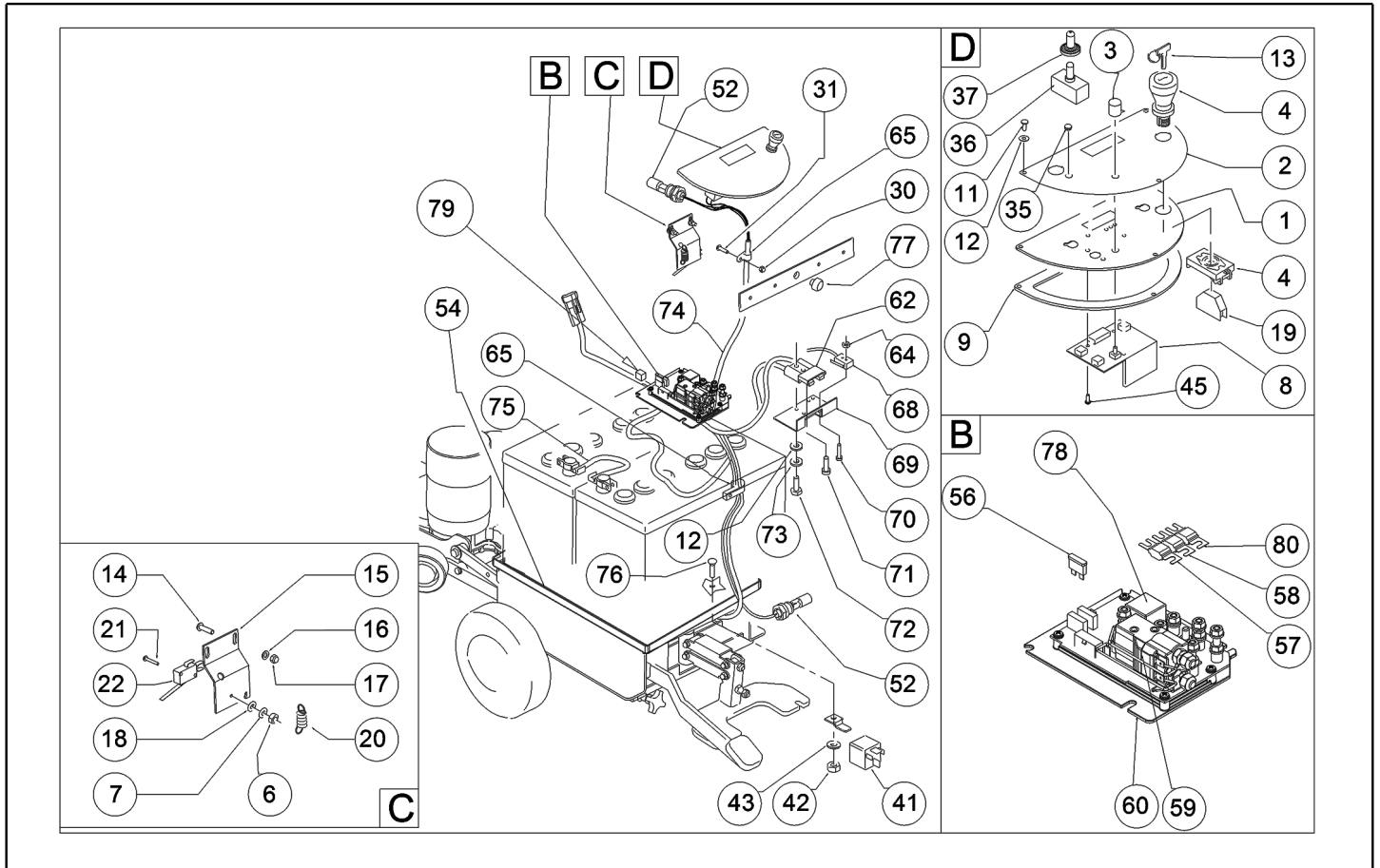
| Ref. K | Part n.   | Part n. 2 | Description                      | Quantity | Validity   |            | Price |
|--------|-----------|-----------|----------------------------------|----------|------------|------------|-------|
|        |           |           |                                  |          | From       | To         |       |
| 0001   | LAFN09302 |           | CLOSURE -                        | 2,00     | 26/09/2013 |            | --    |
| 0002   | MPVR49229 |           | BUSHING SHK                      | 2,00     |            |            | --    |
| 0003   | MPVR05290 |           | ROLLER SIDE BUMPER WHEEL         | 2,00     |            |            | --    |
| 0004   | GUGO00164 |           | GASKET                           | 2,00     |            |            | --    |
| 0005   | LAFN04100 |           | SPACER FOR BUMPER WHEEL          | 2,00     |            |            | --    |
| 0006   | MPVR06003 |           | KNOB AISI 304                    | 2,00     |            | 05/03/2013 | --    |
| 0006   | MPVR06004 |           | KNOB SQUEEGEE YELLOW M8X30       | 2,00     | 06/03/2013 |            | --    |
| 0007   | VTDD01700 |           | NUT M6 INOX+ZIN.                 | 2,00     |            |            | --    |
| 0008   | VTRS00245 |           | WASHER D.6 UNI 6592 INOX         | 2,00     |            |            | --    |
| 0009   | LAFN09012 |           | PLATE -                          | 1,00     |            |            | --    |
| 0010   | GUVR00301 |           | GASKET -                         | 1,00     |            |            | --    |
| 0011   | GUVR00300 |           | GASKET -                         | 1,00     |            |            | --    |
| 0012   | LAFN09301 |           | SOCKET -                         | 2,00     | 26/09/2013 |            | --    |
| 0014   | LAFN08948 |           | BRACKET -                        | 1,00     |            | 25/09/2013 | --    |
| 0014   | LAFN09279 |           | BLADE HOLDER S SIZE ANT. RIGHT   | 1,00     | 26/09/2013 |            | --    |
| 0015   | LAFN08949 |           | BRACKET -                        | 1,00     |            | 25/09/2013 | --    |
| 0015   | LAFN09280 |           | SHEET METAL PA. -                | 1,00     | 26/09/2013 |            | --    |
| 0016   | MPVR05800 |           | RUBBER BLADE FRONT SQUEEGEE S PU | 1,00     |            |            | --    |
| 0017   | VTRS13945 |           | WASHER D. 6X18 INX UNI 6593      | 4,00     |            |            | --    |
| 0018   | KTRI02048 |           | BODY SQUEEGEE PRESSOFUSO "S"     | 1,00     |            |            | --    |
| 0019   | VTVT00841 |           | SCREW TE M 6X65 UNI 5739 INX     | 2,00     |            |            | --    |
| 0020   | VTVT15515 |           | SCREW TE M 6X 50 INOX A2         | 2,00     |            |            | --    |
| 0021   | MPVR05897 |           | CLOSURE S                        | 2,00     |            |            | --    |
| 0022   | MPVR05802 |           | RUBBER REAR SQUEEGEE S PU        | 1,00     |            |            | --    |
| 0023   | LAFN08950 |           | BRACKET -                        | 1,00     |            | 25/09/2013 | --    |
| 0023   | LAFN09281 |           | SHEET METAL PA. -                | 1,00     | 26/09/2013 |            | --    |
| 0024   | LAFN08951 |           | BRACKET -                        | 1,00     |            | 25/09/2013 | --    |
| 0024   | LAFN09283 |           | BLADE HOLDER S SIZE POST. LEFT   | 1,00     | 26/09/2013 |            | --    |
| 0025   | LAFN09013 |           | PLATE -                          | 1,00     |            |            | --    |
| 0026   | VTVR00565 |           | INSERT -                         | 2,00     |            |            | --    |
| 0027   | VTDD00210 |           | NUT M 3 AUTOBL DIN 985 IX.A2     | 8,00     | 26/09/2013 |            | --    |
| 0028   | VTVT01070 |           | SCREW TSTC M3X8                  | 8,00     | 26/09/2013 |            | --    |



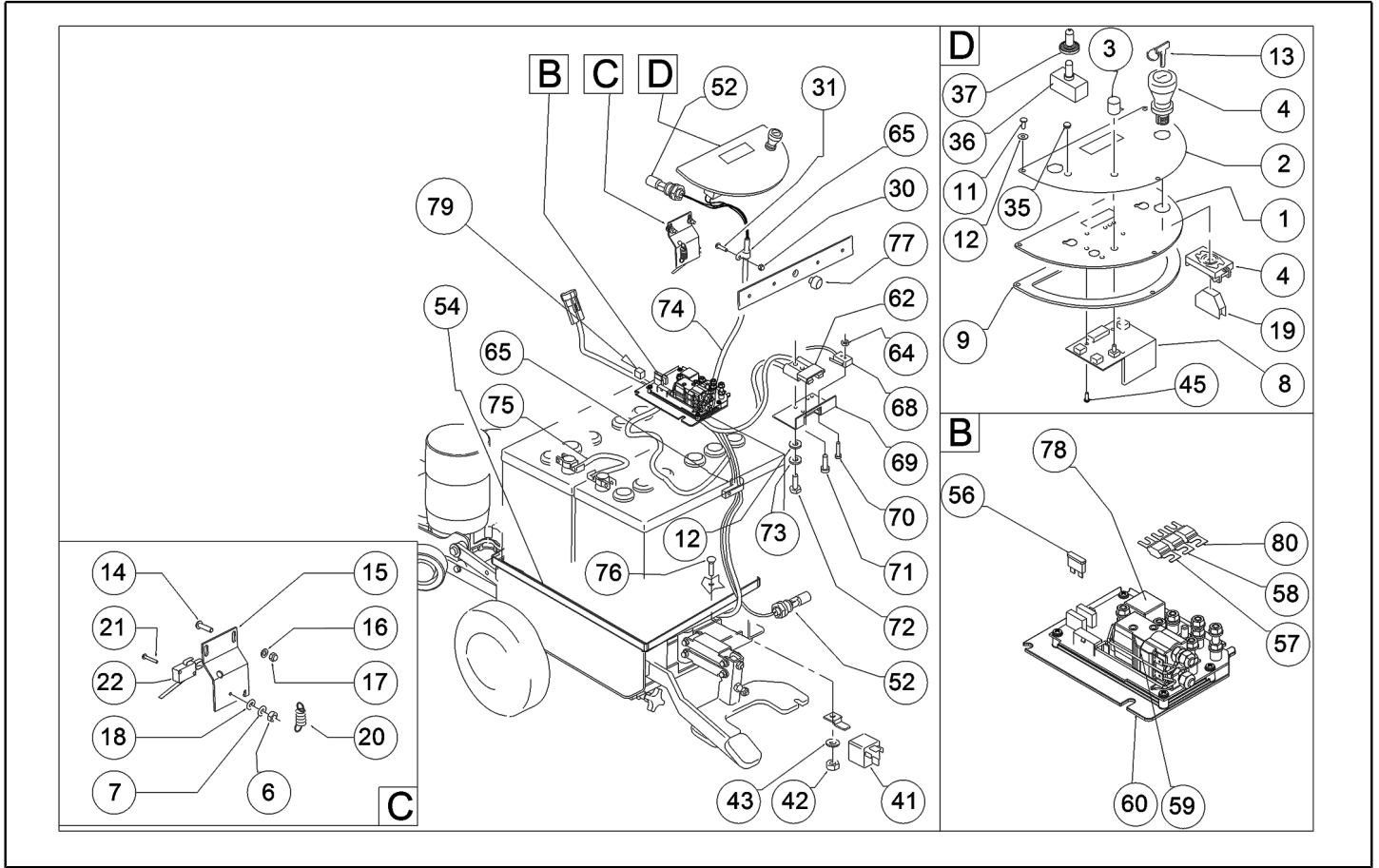
| Ref. K | Part n.   | Part n. 2 | Description                     | Quantity | Validity   |            | Price |
|--------|-----------|-----------|---------------------------------|----------|------------|------------|-------|
|        |           |           |                                 |          | From       | To         |       |
| 0001   | MPVR04051 |           | TANK CAP                        | 1,00     |            |            | --    |
| 0002   | MPVR49942 |           | LEVER SQUEEGEE LIFTING PP       | 1,00     |            |            | --    |
| 0003   | VTDD01694 |           | NUT M6 INOX                     | 4,00     |            |            | --    |
| 0004   | TBFX00348 |           | TUBE CT40-70-90 HOSE DRAIN      | 1,00     |            | 02/04/2013 | --    |
| 0004   | TBFX00358 |           | TUBE PU CT40/70/90              | 1,00     | 03/04/2013 |            | --    |
| 0005   | LAFN05865 |           | PLATE COPRILEVA CONSENSO        | 1,00     |            |            | --    |
| 0006   | VTRS15908 |           | WASHER D. 5 INX GRW UNI 1751    | 2,00     |            |            | --    |
| 0007   | MPVR46988 |           | CLIP FIXATION DRAIN HOSE        | 1,00     |            |            | --    |
| 0008   | VTVT07725 |           | SCREW TE 5X16 UNI5739 INX       | 4,00     |            |            | --    |
| 0009   | VTVT15906 |           | SCREW TE 6X 12 A2 UNI 5739      | 2,00     |            |            | --    |
| 0010   | VTVT15143 |           | SCREW TE 6X16 UNI5739           | 3,00     |            |            | --    |
| 0012   | LAFN03626 |           | SPACER                          | 1,00     |            |            | --    |
| 0013   | CMCV00361 |           | CABLE CABLE LIFTING SQUEEGEE HD | 1,00     |            |            | --    |
| 0014   | LAFN06490 |           | HANDLE                          | 1,00     |            |            | --    |
| 0015   | MLML00203 |           | SPRING                          | 1,00     |            |            | --    |
| 0016   | VTRS00251 |           | WASHER 4-16 INOX A2             | 1,00     |            |            | --    |
| 0017   | VTVT00800 |           | SCREW TC 4X12 ZN                | 1,00     |            |            | --    |
| 0018   | VTVT21096 |           | SCREW TE M 4X 10 INX            | 2,00     |            |            | --    |
| 0019   | LAFN05870 |           | BRACKET SQUEEGEE LIFTING        | 1,00     |            |            | --    |
| 0021   | VTRS13947 |           | WASHER D. 8 INX UNI 6592        | 2,00     |            |            | --    |
| 0022   | LAFN05861 |           | LEVER CONSENSO SPAZZOLE         | 1,00     |            | 15/06/2014 | --    |
| 0022   | LAFN09339 |           | LEVER HANDLE ACTIVATION         | 1,00     | 16/06/2014 |            | --    |
| 0026   | GUGO00263 |           | GASKET SEAL CAP REC. TANK       | 1,00     |            |            | --    |
| 0027   | FTDP00133 |           | FILTER VACUUM MOTOR             | 1,00     |            |            | --    |
| 0031   | MPVR07074 |           | BAFFLE W/GASKET                 | 1,00     |            |            | --    |
| 0032   | VTVT00814 |           | SCREW TE M.4-25                 | 2,00     |            |            | --    |
| 0033   | VTRS00515 |           | WASHER D. 4 INX                 | 2,00     |            |            | --    |
| 0034   | VTRS00274 |           | WASHER NYLON 66 D.8,4-17-2 UNI  | 4,00     |            |            | --    |
| 0035   | GUGO00417 |           | GASKET SCATOLA ASPIRAZIONE      | 1,00     |            |            | --    |
| 0036   | MPVR05482 |           | BOX -                           | 1,00     |            |            | --    |
| 0037   | VTDD15925 |           | NUT M 4 INX+ZN                  | 2,00     |            |            | --    |
| 0038   | GUGO00418 |           | GASKET CONDOTTO ASPIRAZIONE     | 1,00     |            |            | --    |
| 0040   | GUGO00245 |           | GASKET                          | 2,00     |            |            | --    |
| 0042   | FSVR43136 |           | CLAMP D. 35-40 DF.              | 1,00     |            |            | --    |
| 0046   | KTRI04696 |           | KIT REPLACEMENT TBFX00353       | 1,00     |            |            | --    |
| 0047   | VTDD01693 |           | NUT M 5 INX                     | 2,00     |            |            | --    |
| 0048   | VTRS00516 |           | WASHER D. 5 INX                 | 4,00     |            |            | --    |
| 0049   | VTVR01038 |           | WASHER -                        | 1,00     |            |            | --    |
| 0050   | MPVR05596 |           | PROTECTION -                    | 1,00     |            |            | --    |
| 0051   | VTVT01150 |           | SCREW 4x10                      | 1,00     |            |            | --    |
| 0052   | VTVT07726 |           | SCREW TE 5X20                   | 2,00     |            |            | --    |
| 0053   | LAFN07631 |           | BRACKET -                       | 1,00     |            |            | --    |
| 0054   | FSVR00248 |           | CLAMP -                         | 1,00     |            |            | --    |



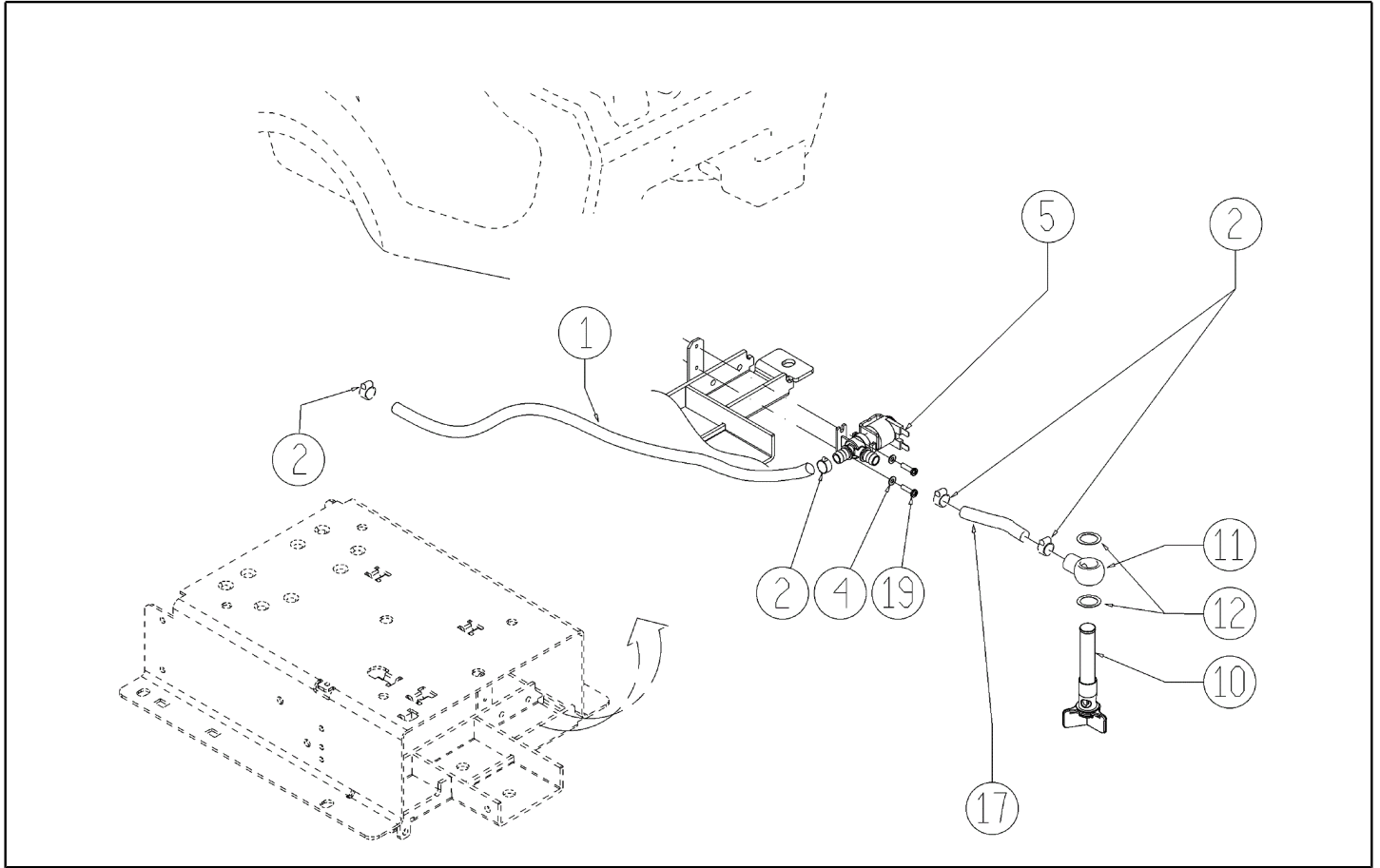
| Ref. K | Part n.   | Part n. 2 | Description                    | Quantity | Validity   |            | Price |
|--------|-----------|-----------|--------------------------------|----------|------------|------------|-------|
|        |           |           |                                |          | From       | To         |       |
| 0001   | GUGO00267 |           | GASKET SOLUTION TANK FILTER    | 1,00     |            |            | --    |
| 0002   | FTAC48857 |           | FILTER SOLUTION TANK INLET     | 1,00     |            |            | --    |
| 0003   | LAFN07800 |           | SHEET METAL PA. -              | 2,00     |            |            | --    |
| 0004   | MPVR48695 |           | PIN SHK.BK                     | 2,00     |            | 10/09/2014 | --    |
| 0004   | MPVR06407 |           | PIN -                          | 2,00     | 11/09/2014 |            | --    |
| 0006   | MPVR08003 |           | CAP                            | 1,00     |            | 30/11/2016 | --    |
| 0006   | MPVR10774 |           | CAP 1/2"                       | 1,00     | 01/12/2016 |            | --    |
| 0007   | VTRS15144 |           | WASHER D. 6 INX GRW UNI 1751   | 1,00     |            |            | --    |
| 0008   | VTVT01303 |           | SCREW TE M6-10 INOX            | 1,00     |            |            | --    |
| 0009   | LAFN06489 |           | PLATE                          | 1,00     |            |            | --    |
| 0010   | VTVR48693 |           | INSERT FILETTATO M6            | 1,00     |            |            | --    |
| 0012   | VTRS13945 |           | WASHER D. 6X18 INX UNI 6593    | 2,00     |            |            | --    |
| 0013   | VTRS15144 |           | WASHER D. 6 INX GRW UNI 1751   | 2,00     |            |            | --    |
| 0014   | VTVT15143 |           | SCREW TE 6X16 UNI5739          | 2,00     |            |            | --    |
| 0015   | FSVR00099 |           | CLAMP FERMATUBO                | 2,00     |            |            | --    |
| 0016   | VTRS00515 |           | WASHER D. 4 INX                | 2,00     |            |            | --    |
| 0017   | VTVT48694 |           | SCREW TCB TC 5 X12 UNI 9707 TZ | 2,00     |            | 10/09/2014 | --    |
| 0018   | VTVT37012 |           | SCREW M 4X 10 TCB-TC INX       | 2,00     |            |            | --    |
| 0019   | VTVT15961 |           | SCREW M 5X 16 TCB TC UNI 7687  | 1,00     |            |            | --    |
| 0020   | PMVR02028 |           | RUBBER GRUPPO MONTAGGIO        | 2,00     |            |            | --    |
| 0028   | MPVR51085 |           | FLAP POSTER.TERGI 950 MAGG.    | 1,00     |            |            | --    |
| 0029   | VTVT15916 |           | SCREW TE M 8X 16 UNI 5739 A2   | 4,00     |            |            | --    |
| 0030   | VTRS13947 |           | WASHER D. 8 INX UNI 6592       | 4,00     |            |            | --    |
| 0031   | VTRS00269 |           | WASHER D. 8 DIN 6798-A INX A2  | 4,00     |            |            | --    |



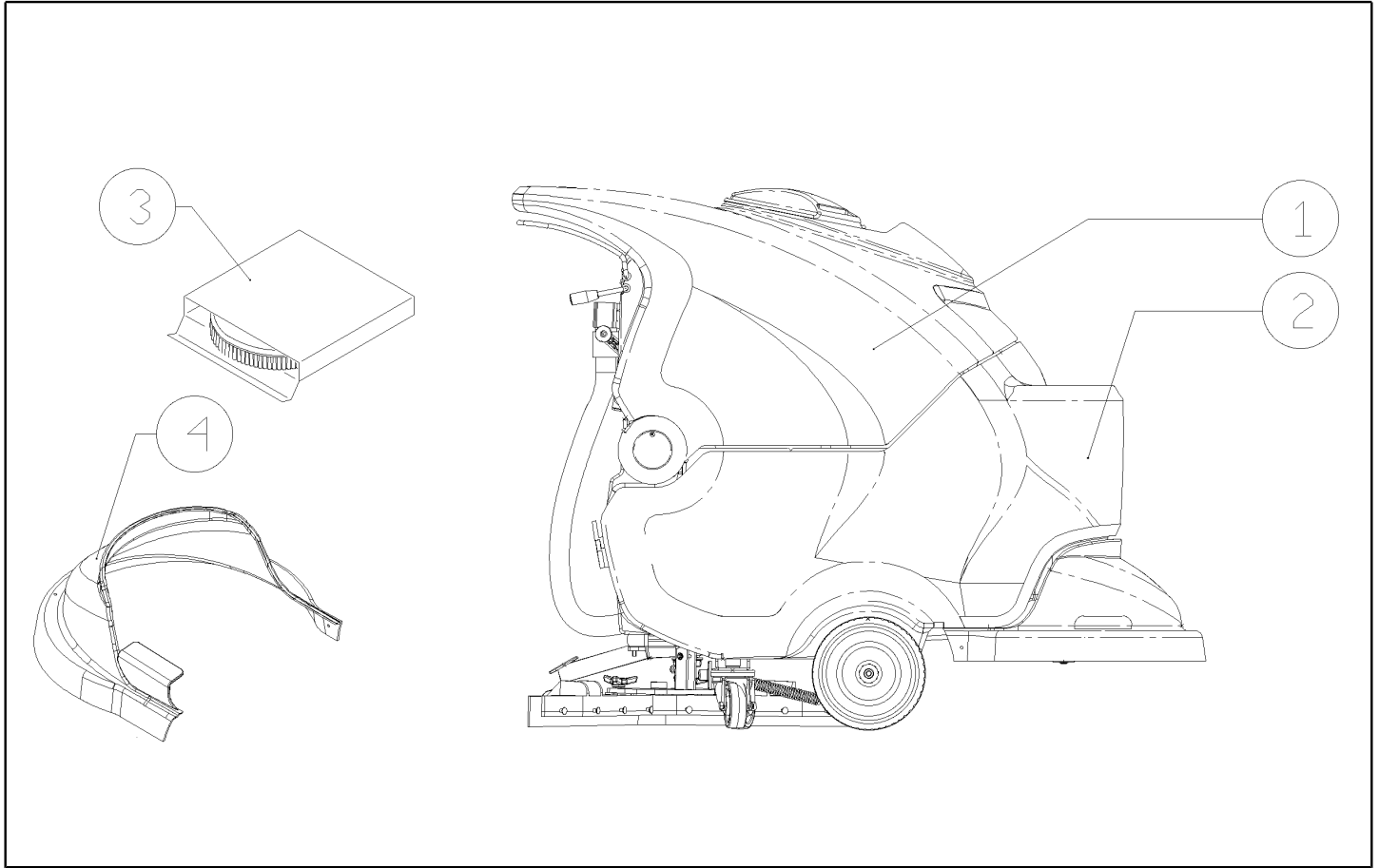
| Ref. K | Part n.   | Part n. 2 | Description                   | Quantity | Validity   |            | Price |
|--------|-----------|-----------|-------------------------------|----------|------------|------------|-------|
|        |           |           |                               |          | From       | To         |       |
| 000D   | MECE00585 |           | BOARD CT70 2013               | 1,00     |            |            | --    |
| 0001   | LAFN08989 |           | SUPPORT -                     | 1,00     |            |            | --    |
| 0002   | ETET01717 |           | LABEL -                       | 1,00     |            |            | --    |
| 0003   | MEVR01666 |           | KNOB POTENTIOMETER            | 1,00     |            |            | --    |
| 0004   | MECI00402 |           | SWITCH KEY + EMERGENCY        | 1,00     |            |            | --    |
| 0006   | VTDD21115 |           | NUT M 3 INOX                  | 5,00     |            |            | --    |
| 0007   | VTRS00268 |           | WASHER D.3                    | 5,00     |            |            | --    |
| 0008   | MECE00474 |           | BOARD CT70 EV                 | 1,00     |            | 10/04/2013 | --    |
| 0008   | MECB01329 |           | BOARD BT CT70 H2O - NEW       | 1,00     | 11/04/2013 |            | --    |
| 0009   | GUGO38417 |           | GASKET PANN.COM.EXTREME       | 1,00     |            |            | --    |
| 0011   | VTVT37012 |           | SCREW M 4X 10 TCB-TC INX      | 3,00     |            |            | --    |
| 0012   | VTRS00515 |           | WASHER D. 4 INX               | 10,00    |            |            | --    |
| 0013   | CHVR00051 |           | KEYS SET SPARE SCRUBBERS W.B. | 1,00     |            |            | --    |
| 0014   | VTVT07725 |           | SCREW TE 5X16 UNI5739 INX     | 2,00     |            |            | --    |
| 0015   | LAFN05904 |           | PLATE MICRO LEVA              | 1,00     |            |            | --    |
| 0016   | VTRS00516 |           | WASHER D. 5 INX               | 2,00     |            |            | --    |
| 0017   | VTDD01693 |           | NUT M 5 INX                   | 6,00     |            |            | --    |
| 0018   | VTRS21116 |           | WASHER D. 3 INX               | 2,00     |            |            | --    |
| 0019   | MECI00403 |           | CONTACT -                     | 1,00     |            |            | --    |
| 0020   | MLML34726 |           | SPRING TR E350 N              | 1,00     |            | 09/07/2014 | --    |
| 0020   | MLML00203 |           | SPRING                        | 1,00     | 10/07/2014 |            | --    |
| 0021   | VTVT01316 |           | SCREW TC+ M3-16               | 2,00     |            |            | --    |
| 0022   | MECI36393 |           | MICROSWITCH ACTIVATION TRCTN. | 1,00     |            |            | --    |
| 0030   | VTDD15925 |           | NUT M 4 INX+ZN                | 1,00     |            |            | --    |
| 0031   | VTVT00704 |           | SCREW TE M 4X 16 UNI5739 INOX | 5,00     |            |            | --    |
| 0035   | RCVR00164 |           |                               | 1,00     |            |            | --    |
| 0036   | MECI30499 |           | SWITCH 10A - 250VAC           | 1,00     |            |            | --    |
| 0037   | MEVR01975 |           | RUBBER DEVIATORE              | 1,00     |            |            | --    |
| 0041   | MECI00005 |           | RELAY 24V 10/20A              | 1,00     |            |            | --    |
| 0042   | VTDD01694 |           | NUT M6 INOX                   | 1,00     |            |            | --    |
| 0043   | VTRS00245 |           | WASHER D.6 UNI 6592 INOX      | 1,00     |            |            | --    |
| 0045   | VTVT00722 |           | SCREW                         | 3,00     |            |            | --    |
| 0052   | MECI00516 |           | SENSOR FLOAT WATER TANK       | 2,00     |            |            | --    |
| 0054   | LAFN35588 |           | BATTERY SUPPORT CT LINE       | 1,00     |            |            | --    |
| 0056   | MEVR01428 |           | FUSE A LAMA 2 A. UNIVAL       | 1,00     |            |            | --    |
| 0057   | MEVR02061 |           | FUSE 80A                      | 1,00     |            | 31/12/2015 | --    |
| 0057   | MEVR02105 |           | FUSE 50A OMEGA FT3050         | 1,00     | 01/01/2016 |            | --    |
| 0058   | MEVR02060 |           | FUSE 40A                      | 1,00     |            |            | --    |
| 0059   | METT00085 |           | CONTACTOR 100A                | 1,00     |            |            | --    |
| 0060   | MECE00574 |           | BOARD RELAY CT40-70-90 B-BT   | 1,00     |            |            | --    |
| 0062   | MEVR01079 |           | PLUG M CB50 A 600V RD.        | 1,00     |            |            | --    |
| 0064   | VTDD08634 |           | NUT M2                        | 2,00     |            |            | --    |
| 0065   | FSVR00099 |           | CLAMP FERMATUBO               | 2,00     |            |            | --    |
| 0068   | MECI00334 |           | MICROSWITCH CHARGING PLUG     | 1,00     |            |            | --    |



| Ref. K | Part n.   | Part n. 2 | Description                      | Quantity | Validity   |            | Price |
|--------|-----------|-----------|----------------------------------|----------|------------|------------|-------|
|        |           |           |                                  |          | From       | To         |       |
| 0069   | LAFN06409 |           | SUPPORT -                        | 1,00     |            |            | --    |
| 0070   | VTVT00671 |           | SCREW TC- M.2-16 OTTONE          | 2,00     |            |            | --    |
| 0071   | VTVT00872 |           | SCREW TSP+ 2.9X13 AUTOFIL. INOX  | 1,00     |            |            | --    |
| 0072   | VTVT00814 |           | SCREW TE M.4-25                  | 2,00     |            |            | --    |
| 0073   | VTRS15913 |           | WASHER D. 4 GROVER A2 UNI1751    | 2,00     |            |            | --    |
| 0074   | MECB01302 |           | WIRING CT40-70 BT                | 1,00     |            | 10/04/2013 | --    |
| 0074   | MECB01334 |           | WIRING CT40-55-70 BT             | 1,00     | 11/04/2013 |            | --    |
| 0075   | MEVR34820 |           | WIRING BATTERY BRIDGE W/TERMINAL | 1,00     |            |            | --    |
| 0076   | VTVT01676 |           | SCREW TSTC UNI 7688 M6X16        | 1,00     |            |            | --    |
| 0077   | MPVR00043 |           | CAP CHIUS.FORO PORTAFUS.L 15     | 1,00     |            |            | --    |
| 0078   | MECE00139 |           | RELAY 24V 70A                    | 1,00     |            |            | --    |
| 0079   | GUGO00460 |           | MOUSSE 20x15x18                  | 1,00     | 20/05/2015 |            | --    |
| 0080   | MEVR02104 |           | FUSE 30A OMEGA FT3030            | 1,00     |            |            | --    |

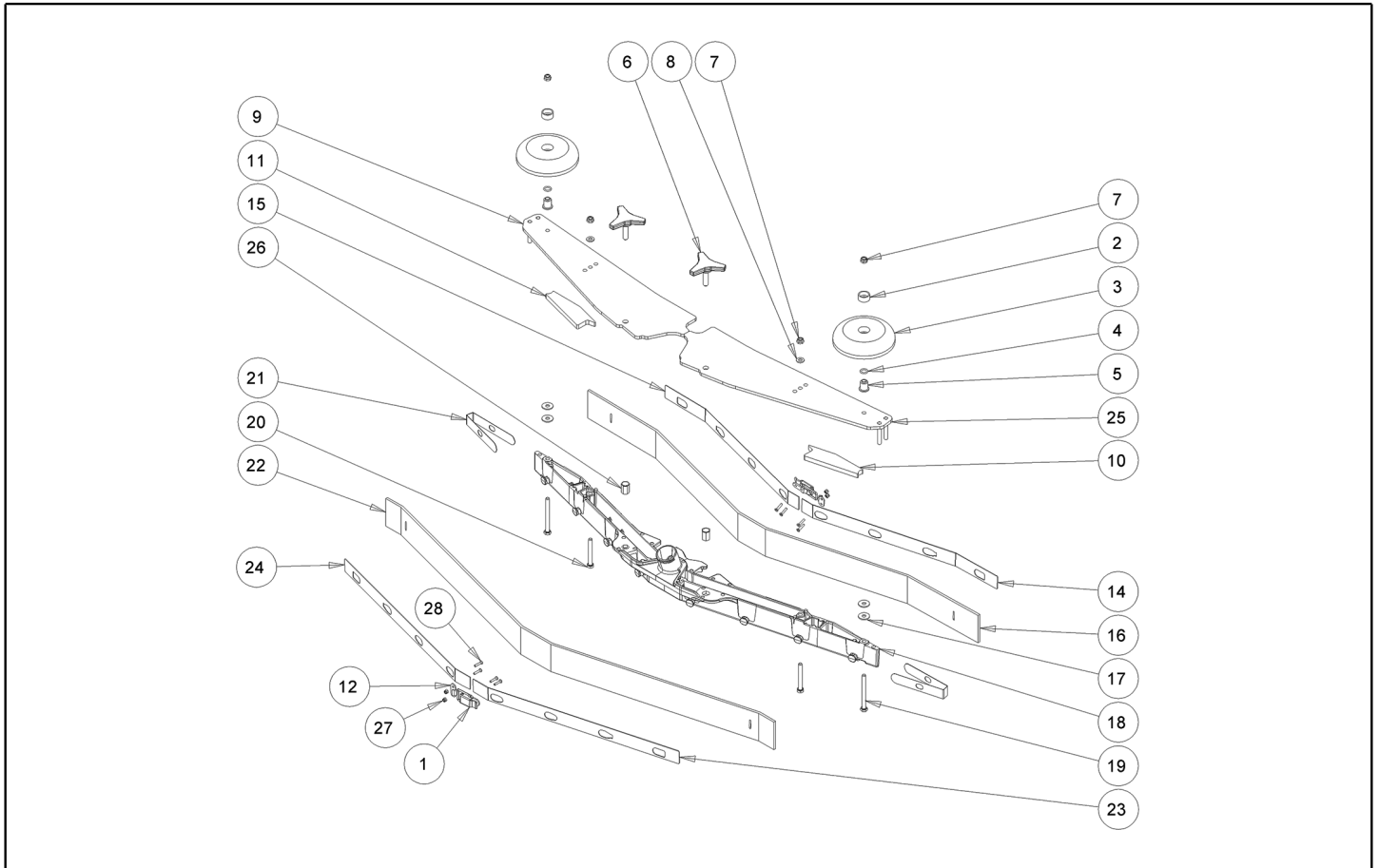


| Ref. K | Part n.   | Part n. 2 | Description                       | Quantity | Validity   |            | Price |
|--------|-----------|-----------|-----------------------------------|----------|------------|------------|-------|
|        |           |           |                                   |          | From       | To         |       |
| 0001   | TBFX48011 |           | TUBE FLEX D.12X3 ARMORV.PVC TR    | 0,71     |            |            | --    |
| 0002   | FSVR00428 |           | CLAMP D. 12-20                    | 4,00     |            |            | --    |
| 0004   | VTRS00515 |           | WASHER D. 4 INX                   | 2,00     |            |            | --    |
| 0005   | MEEV00036 |           | SOLENOID VALVE HOLE 8mm CLEANTIME | 1,00     |            |            | --    |
| 0010   | MPVR05221 |           | FILTER COMPLETO                   | 1,00     |            | 14/02/2013 | --    |
| 0010   | MPVR06303 |           | FILTER CT40-70-90                 | 1,00     | 15/02/2013 |            | --    |
| 0011   | LAFN07783 |           | CONNECTOR -                       | 1,00     |            |            | --    |
| 0012   | VTRS00567 |           | WASHER 1/2                        | 2,00     |            |            | --    |
| 0017   | TBFX48011 |           | TUBE FLEX D.12X3 ARMORV.PVC TR    | 0,17     |            |            | --    |
| 0019   | VTVT01158 |           | SCREW M4x16                       | 2,00     |            |            | --    |

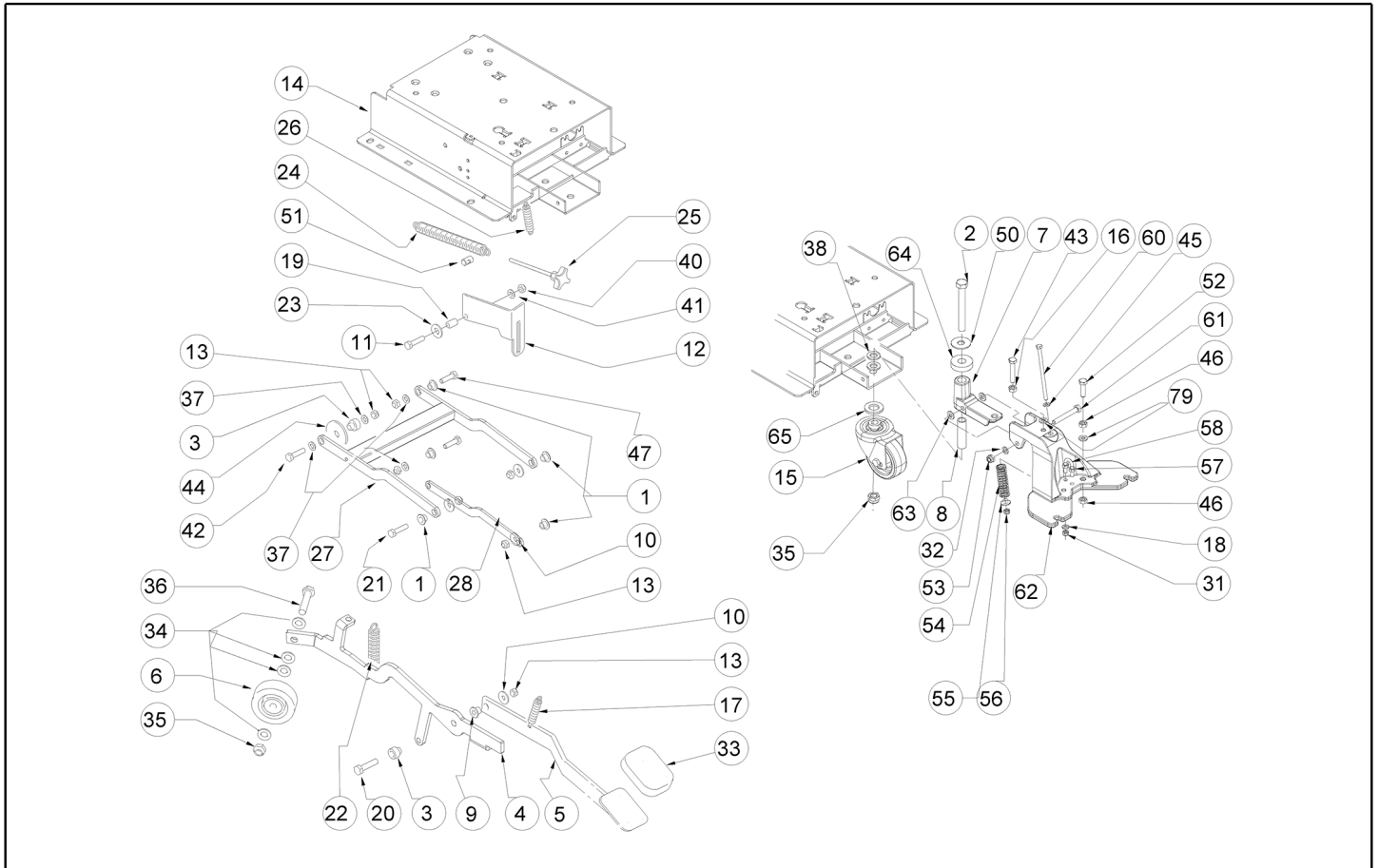


| Ref. K | Part n.   | Part n. 2 | Description                    | Quantity | Validity |    | Price |
|--------|-----------|-----------|--------------------------------|----------|----------|----|-------|
|        |           |           |                                |          | From     | To |       |
| 0001   | MPVR07066 |           | TANK RECOVERY CT40 PANTONE 368 | 1,00     |          |    | --    |
| 0002   | MPVR05090 |           | TANK SOLUTION RAL7024          | 1,00     |          |    | --    |
| 0003   | SPPV43963 |           | BRUSH NYL 0,8 500              | 1,00     |          |    | --    |
| 0004   | MPVR04722 |           | BRUSH PROTECT. 55              | 1,00     |          |    | --    |

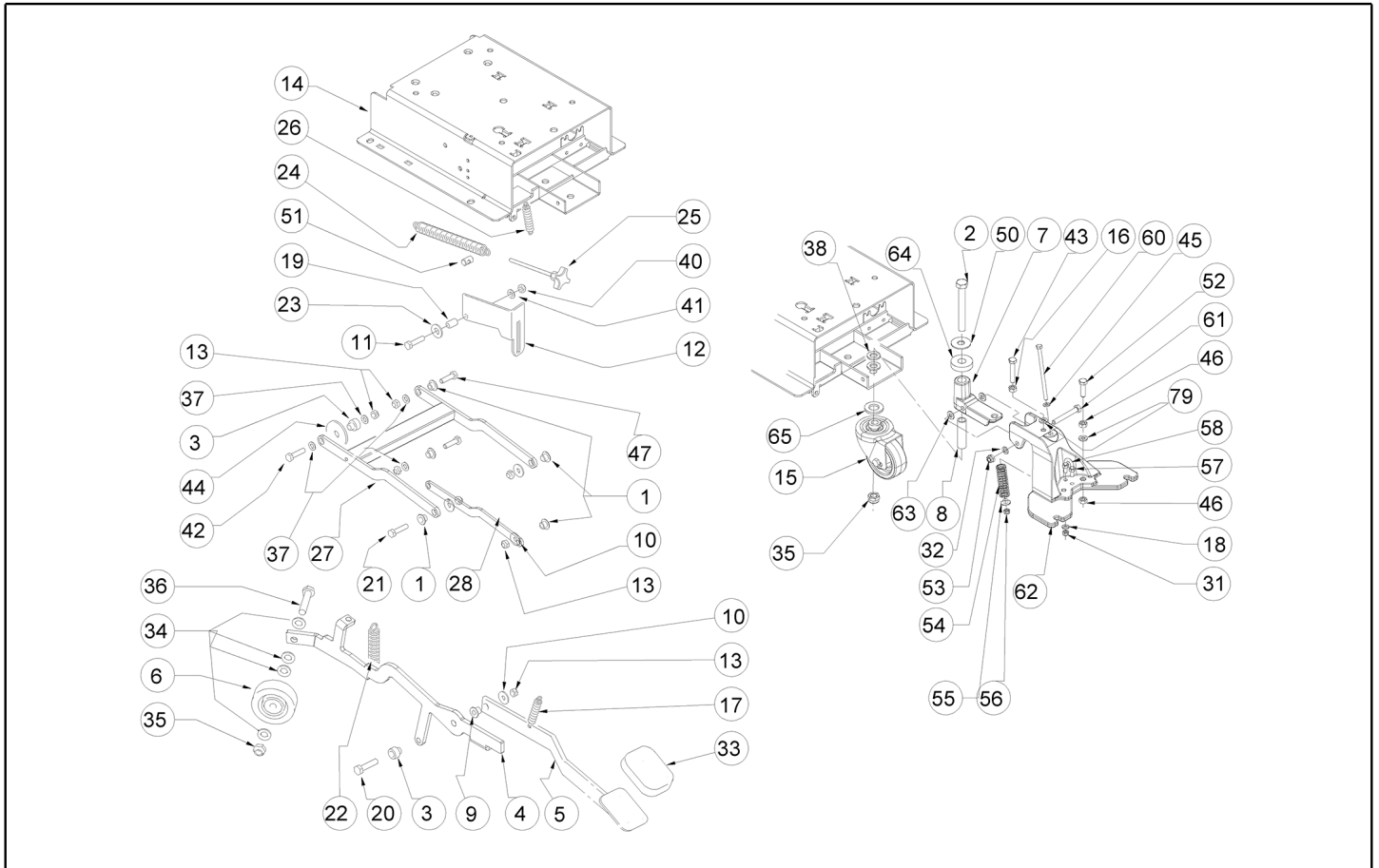




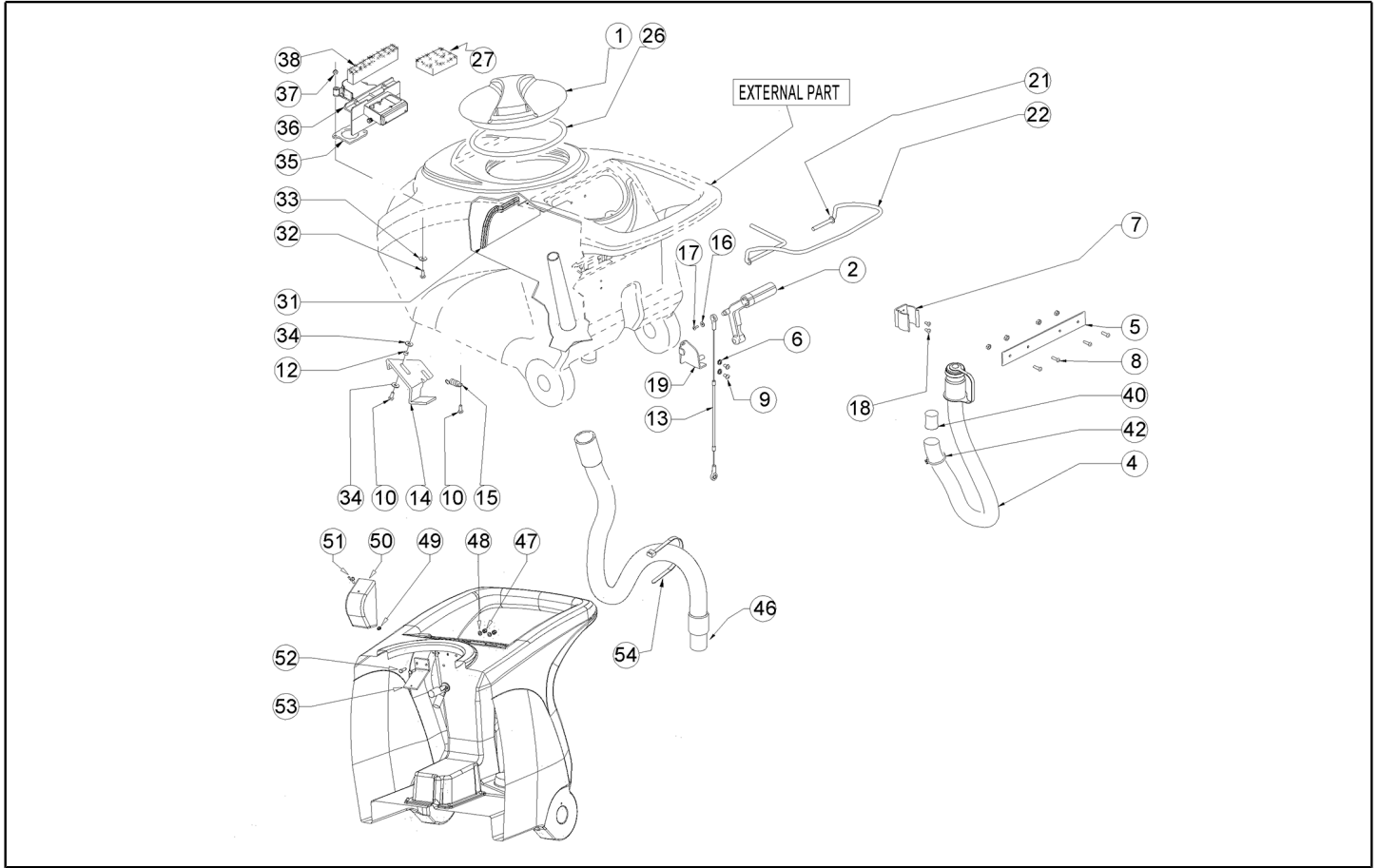
| Ref. K | Part n.   | Part n. 2 | Description                    | Quantity | Validity   |            | Price |
|--------|-----------|-----------|--------------------------------|----------|------------|------------|-------|
|        |           |           |                                |          | From       | To         |       |
| 0001   | LAFN09302 |           | CLOSURE -                      | 2,00     | 26/09/2013 |            | --    |
| 0002   | MPVR49229 |           | BUSHING SHK                    | 2,00     |            |            | --    |
| 0003   | MPVR05290 |           | ROLLER SIDE BUMPER WHEEL       | 2,00     |            |            | --    |
| 0004   | GUGO00164 |           | GASKET                         | 2,00     |            |            | --    |
| 0005   | LAFN04100 |           | SPACER FOR BUMPER WHEEL        | 2,00     |            |            | --    |
| 0006   | MPVR06003 |           | KNOB AISI 304                  | 2,00     |            | 05/03/2013 | --    |
| 0006   | MPVR06004 |           | KNOB SQUEEGEE YELLOW M8X30     | 2,00     | 06/03/2013 |            | --    |
| 0007   | VTDD01700 |           | NUT M6 INOX+ZIN.               | 4,00     |            |            | --    |
| 0008   | VTRS00245 |           | WASHER D.6 UNI 6592 INOX       | 2,00     |            |            | --    |
| 0009   | LAFN09012 |           | PLATE -                        | 1,00     |            |            | --    |
| 0010   | GUVR00301 |           | GASKET -                       | 1,00     |            |            | --    |
| 0011   | GUVR00300 |           | GASKET -                       | 1,00     |            |            | --    |
| 0012   | LAFN09301 |           | SOCKET -                       | 2,00     | 26/09/2013 |            | --    |
| 0014   | LAFN08948 |           | BRACKET -                      | 1,00     |            | 25/09/2013 | --    |
| 0014   | LAFN09279 |           | BLADE HOLDER S SIZE ANT. RIGHT | 1,00     | 26/09/2013 |            | --    |
| 0015   | LAFN08949 |           | BRACKET -                      | 1,00     |            | 25/09/2013 | --    |
| 0015   | LAFN09280 |           | SHEET METAL PA. -              | 1,00     | 26/09/2013 |            | --    |
| 0016   | MPVR08039 |           | BLADE S LATEX                  | 1,00     |            |            | --    |
| 0017   | VTRS13945 |           | WASHER D. 6X18 INX UNI 6593    | 4,00     |            |            | --    |
| 0018   | KTRI02048 |           | BODY SQUEEGEE PRESSOFUSO "S"   | 1,00     |            |            | --    |
| 0019   | VTVT00841 |           | SCREW TE M 6X65 UNI 5739 INX   | 2,00     |            |            | --    |
| 0020   | VTVT15515 |           | SCREW TE M 6X 50 INOX A2       | 2,00     |            |            | --    |
| 0021   | MPVR05897 |           | CLOSURE S                      | 2,00     |            |            | --    |
| 0022   | MPVR08035 |           | BLADE S LATEX                  | 1,00     |            |            | --    |
| 0023   | LAFN08950 |           | BRACKET -                      | 1,00     |            | 25/09/2013 | --    |
| 0023   | LAFN09281 |           | SHEET METAL PA. -              | 1,00     | 26/09/2013 |            | --    |
| 0024   | LAFN08951 |           | BRACKET -                      | 1,00     |            | 25/09/2013 | --    |
| 0024   | LAFN09283 |           | BLADE HOLDER S SIZE POST. LEFT | 1,00     | 26/09/2013 |            | --    |
| 0025   | LAFN09013 |           | PLATE -                        | 1,00     |            |            | --    |
| 0026   | VTVR00565 |           | INSERT -                       | 2,00     |            |            | --    |
| 0027   | VTDD00210 |           | NUT M 3 AUTOBL DIN 985 IX.A2   | 8,00     | 26/09/2013 |            | --    |
| 0028   | VTVT01070 |           | SCREW TSTC M3X8                | 8,00     | 26/09/2013 |            | --    |



| Ref. K | Part n.   | Part n. 2 | Description                        | Quantity | Validity   |            | Price |
|--------|-----------|-----------|------------------------------------|----------|------------|------------|-------|
|        |           |           |                                    |          | From       | To         |       |
| 0001   | LAFN06391 |           | BUSHING BRUSH DECK SUPPORT         | 5,00     |            |            | --    |
| 0002   | VTVT00285 |           | SCREW TE M12X110                   | 1,00     |            |            | --    |
| 0003   | LAFN04190 |           | BUSHING PARALLELOGR.TEST.GR.       | 2,00     |            |            | --    |
| 0004   | LAFN07872 |           | LEVER -                            | 1,00     |            |            | --    |
| 0005   | LAFN09270 |           | PEDAL BRUSH HEAD LIFTING           | 1,00     |            |            | --    |
| 0006   | RTRT49171 |           | CASTER D. 80-12                    | 1,00     |            |            | --    |
| 0007   | MFVR00226 |           | SUPPORT SQUEEGEE                   | 1,00     |            |            | --    |
| 0008   | LAFN09006 |           | PIN -                              | 1,00     |            |            | --    |
| 0009   | LAFN51068 |           | BUSHING LEVA POSTER.               | 1,00     |            |            | --    |
| 0010   | VTRS13946 |           | WASHER D. 8 X24 INX UNI 6593       | 4,00     |            |            | --    |
| 0011   | VTVT00161 |           | SCREW TE M6X20                     | 1,00     |            | 26/02/2019 | --    |
| 0011   | VTVT13939 |           | SCREW TE 6X20 UNI5739 INX          | 1,00     | 27/02/2019 |            | --    |
| 0012   | LAFN10124 |           | PLATE                              | 1,00     |            |            | --    |
| 0013   | VTDD01695 |           | NUT M 8 INX                        | 7,00     |            |            | --    |
| 0014   | LAFN07293 |           | BASE SERBATOIO                     | 1,00     |            |            | --    |
| 0015   | RTRT00276 |           | SMALL WHEEL GIREVOLE PER SPAZZANTE | 1,00     |            | 15/03/2017 | --    |
| 0015   | RTRT00518 |           | WHEEL CASTOR D.80X30               | 1,00     | 16/03/2017 |            | --    |
| 0016   | VTDD15521 |           | NUT M 8 INX A2 UNI 5588            | 1,00     |            |            | --    |
| 0017   | MLML34726 |           | SPRING TR E350 N                   | 1,00     |            |            | --    |
| 0018   | VTRS00245 |           | WASHER D.6 UNI 6592 INOX           | 2,00     |            |            | --    |
| 0019   | LAFN03840 |           | BUSHING                            | 1,00     |            |            | --    |
| 0020   | VTVT15917 |           | SCREW TE M 8X50 INOX A2 UNI        | 1,00     |            |            | --    |
| 0021   | VTVT15907 |           | SCREW TE 8X25 UNI5739 INX          | 3,00     |            |            | --    |
| 0022   | MLML00313 |           | SPRING -                           | 1,00     |            |            | --    |
| 0023   | VTRS00274 |           | WASHER NYLON 66 D.8,4-17-2 UNI     | 1,00     |            |            | --    |
| 0024   | MLML31130 |           | SPRING D. 17.5 X110 N38            | 1,00     |            |            | --    |
| 0025   | VTVR35749 |           | HANDWHEEL M 6MAX110 D.35           | 1,00     |            |            | --    |
| 0026   | MLML00303 |           | SPRING L=54,1 D.=9,4               | 1,00     |            |            | --    |
| 0027   | LAFN06388 |           | ARM TESTATA SUPERIORE              | 1,00     |            |            | --    |
| 0028   | LAFN06389 |           | ARM PARALLELOGRAMMA                | 1,00     |            |            | --    |
| 0031   | VTDD01694 |           | NUT M6 INOX                        | 2,00     |            |            | --    |
| 0032   | VTRS13947 |           | WASHER D. 8 INX UNI 6592           | 1,00     |            |            | --    |
| 0033   | MPVR05186 |           | COVER -                            | 1,00     |            |            | --    |
| 0034   | VTRS15978 |           | WASHER D.12X24 UNI 6592 INX        | 4,00     |            |            | --    |
| 0035   | VTDD00176 |           | NUT M.12 INOX A2 BASSO AUTOB.      | 3,00     |            |            | --    |
| 0036   | VTVT00836 |           | SCREW TE M12-60 INOX               | 1,00     |            |            | --    |
| 0037   | VTRS13947 |           | WASHER D. 8 INX UNI 6592           | 4,00     |            |            | --    |
| 0038   | VTRS15978 |           | WASHER D.12X24 UNI 6592 INX        | 2,00     |            |            | --    |
| 0040   | VTDD01694 |           | NUT M6 INOX                        | 5,00     |            |            | --    |
| 0041   | VTRS00245 |           | WASHER D.6 UNI 6592 INOX           | 1,00     |            |            | --    |
| 0042   | VTVT00410 |           | SCREW TE M8x35 UNI5739 INOX        | 1,00     |            |            | --    |
| 0043   | VTVT15371 |           | SCREW TE M 8X45 INOX A2 UNI        | 1,00     |            |            | --    |
| 0044   | MPVR05134 |           | GASKET D.60 FORO D.12 SP.2         | 1,00     |            |            | --    |
| 0045   | VTRS00245 |           | WASHER D.6 UNI 6592 INOX           | 1,00     |            |            | --    |



| Ref. K | Part n.   | Part n. 2 | Description                    | Quantity | Validity   |            | Price |
|--------|-----------|-----------|--------------------------------|----------|------------|------------|-------|
|        |           |           |                                |          | From       | To         |       |
| 0046   | VTDD15521 |           | NUT M 8 INX A2 UNI 5588        | 2,00     |            |            | --    |
| 0047   | VTVT13937 |           | SCREW TE M 8X 30 INX UNI 5739  | 2,00     |            |            | --    |
| 0050   | VTRS09142 |           | WASHER UNI 6593 12X36X2,5      | 1,00     |            |            | --    |
| 0051   | LAFN35747 |           | SPRING SUPPORT LAV. E/B 450    | 1,00     |            |            | --    |
| 0052   | VTVT13937 |           | SCREW TE M 8X 30 INX UNI 5739  | 1,00     |            |            | --    |
| 0053   | VTDD01695 |           | NUT M 8 INX                    | 1,00     |            |            | --    |
| 0054   | MLML00338 |           | SPRING INOX L98 DE18 DI14      | 1,00     |            |            | --    |
| 0055   | VTRS13945 |           | WASHER D. 6X18 INX UNI 6593    | 1,00     |            | 27/03/2018 | --    |
| 0055   | LAFN06391 |           | BUSHING BRUSH DECK SUPPORT     | 1,00     | 28/03/2018 |            | --    |
| 0056   | VTDD01694 |           | NUT M6 INOX                    | 1,00     |            |            | --    |
| 0057   | VTDD00053 |           | NUT M6 INOX UNI5589            | 2,00     |            |            | --    |
| 0058   | LAFN09231 |           | BRACKET M6X11X29               | 1,00     |            |            | --    |
| 0060   | VTVT01008 |           | SCREW 6X110                    | 1,00     |            |            | --    |
| 0061   | VTVT01009 |           | SCREW 8X60                     | 1,00     |            |            | --    |
| 0062   | MFVR00227 |           | SUPPORT SQUEEGEE               | 1,00     |            |            | --    |
| 0063   | VTRS00274 |           | WASHER NYLON 66 D.8,4-17-2 UNI | 2,00     |            |            | --    |
| 0064   | MPVR06069 |           | WASHER 15X40                   | 1,00     |            |            | --    |
| 0065   | VTRS09142 |           | WASHER UNI 6593 12X36X2,5      | 1,00     |            |            | --    |
| 0079   | VTRS15146 |           | WASHER GROVER A2 UNI1751       | 1,00     |            |            | --    |



| Ref. K | Part n.   | Part n. 2 | Description                    | Quantity | Validity   |            | Price |
|--------|-----------|-----------|--------------------------------|----------|------------|------------|-------|
|        |           |           |                                |          | From       | To         |       |
| 0001   | MPVR04051 |           | TANK CAP                       | 1,00     |            |            | --    |
| 0002   | MPVR49942 |           | LEVER SQUEEGEE LIFTING PP      | 1,00     |            |            | --    |
| 0003   | VTDD01694 |           | NUT M6 INOX                    | 4,00     |            |            | --    |
| 0004   | TBFX00348 |           | TUBE CT40-70-90 HOSE DRAIN     | 1,00     |            | 02/04/2013 | --    |
| 0004   | TBFX00358 |           | TUBE PU CT40/70/90             | 1,00     | 03/04/2013 |            | --    |
| 0005   | LAFN05865 |           | PLATE COPRILEVA CONSENSO       | 1,00     |            |            | --    |
| 0006   | VTRS15908 |           | WASHER D. 5 INX GRW UNI 1751   | 2,00     |            |            | --    |
| 0007   | MPVR46988 |           | CLIP FIXATION DRAIN HOSE       | 1,00     |            |            | --    |
| 0008   | VTVT07725 |           | SCREW TE 5X16 UNI5739 INX      | 4,00     |            |            | --    |
| 0009   | VTVT15906 |           | SCREW TE 6X 12 A2 UNI 5739     | 2,00     |            |            | --    |
| 0010   | VTVT15143 |           | SCREW TE 6X16 UNI5739          | 3,00     |            |            | --    |
| 0012   | LAFN03626 |           | SPACER                         | 1,00     |            |            | --    |
| 0013   | CMCV00464 |           | CABLE SOLLEVAMENTO TERGI       | 1,00     |            |            | --    |
| 0014   | LAFN06490 |           | HANDLE                         | 1,00     |            |            | --    |
| 0015   | MLML00203 |           | SPRING                         | 1,00     |            |            | --    |
| 0016   | VTRS00251 |           | WASHER 4-16 INOX A2            | 1,00     |            |            | --    |
| 0017   | VTVT00800 |           | SCREW TC 4X12 ZN               | 1,00     |            |            | --    |
| 0018   | VTVT21096 |           | SCREW TE M 4X 10 INX           | 2,00     |            |            | --    |
| 0019   | LAFN05870 |           | BRACKET SQUEEGEE LIFTING       | 1,00     |            |            | --    |
| 0021   | VTRS13947 |           | WASHER D. 8 INX UNI 6592       | 2,00     |            |            | --    |
| 0022   | LAFN05861 |           | LEVER CONSENSO SPAZZOLE        | 1,00     |            | 15/06/2014 | --    |
| 0022   | LAFN09339 |           | LEVER HANDLE ACTIVATION        | 1,00     | 16/06/2014 |            | --    |
| 0026   | GUGO00263 |           | GASKET SEAL CAP REC. TANK      | 1,00     |            |            | --    |
| 0027   | FTDP00133 |           | FILTER VACUUM MOTOR            | 1,00     |            |            | --    |
| 0031   | MPVR07074 |           | BAFFLE W/GASKET                | 1,00     |            |            | --    |
| 0032   | VTVT00814 |           | SCREW TE M.4-25                | 2,00     |            |            | --    |
| 0033   | VTRS00515 |           | WASHER D. 4 INX                | 2,00     |            |            | --    |
| 0034   | VTRS00274 |           | WASHER NYLON 66 D.8,4-17-2 UNI | 4,00     |            |            | --    |
| 0035   | GUGO00417 |           | GASKET SCATOLA ASPIRAZIONE     | 1,00     |            |            | --    |
| 0036   | MPVR05482 |           | BOX -                          | 1,00     |            |            | --    |
| 0037   | VTDD15925 |           | NUT M 4 INX+ZN                 | 2,00     |            |            | --    |
| 0038   | GUGO00418 |           | GASKET CONDOTTO ASPIRAZIONE    | 1,00     |            |            | --    |
| 0040   | GUGO00245 |           | GASKET                         | 2,00     |            |            | --    |
| 0042   | FSVR43136 |           | CLAMP D. 35-40 DF.             | 1,00     |            |            | --    |
| 0046   | KTRI04696 |           | KIT REPLACEMENT TBFX00353      | 1,00     |            |            | --    |
| 0047   | VTDD01693 |           | NUT M 5 INX                    | 2,00     |            |            | --    |
| 0048   | VTRS00516 |           | WASHER D. 5 INX                | 4,00     |            |            | --    |
| 0049   | VTVR01038 |           | WASHER -                       | 1,00     |            |            | --    |
| 0050   | MPVR05596 |           | PROTECTION -                   | 1,00     |            |            | --    |
| 0051   | VTVT01150 |           | SCREW 4x10                     | 1,00     |            |            | --    |
| 0052   | VTVT07726 |           | SCREW TE 5X20                  | 2,00     |            |            | --    |
| 0053   | LAFN07631 |           | BRACKET -                      | 1,00     |            |            | --    |
| 0054   | FSVR00248 |           | CLAMP -                        | 1,00     |            |            | --    |