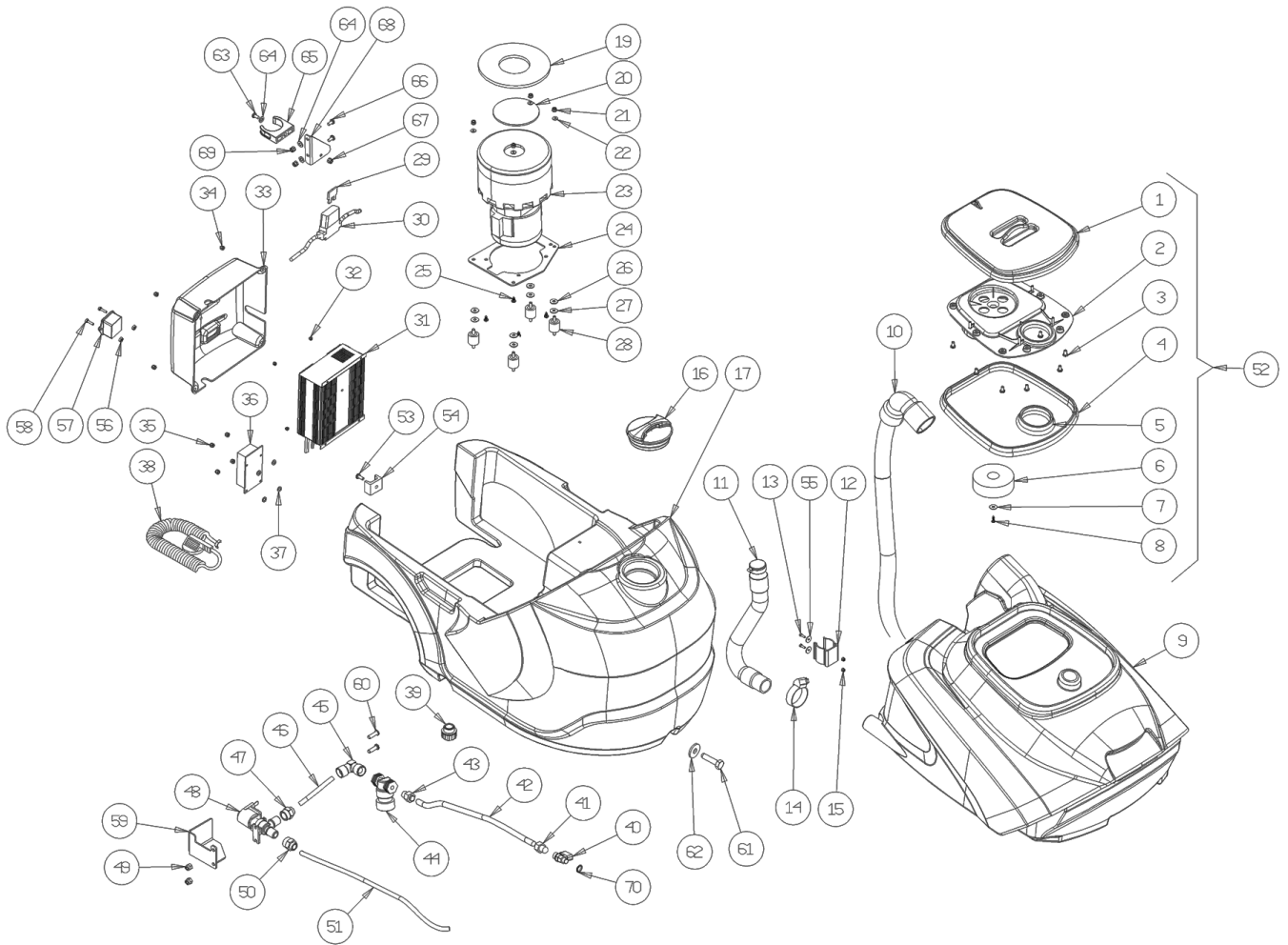


# Spare Parts List

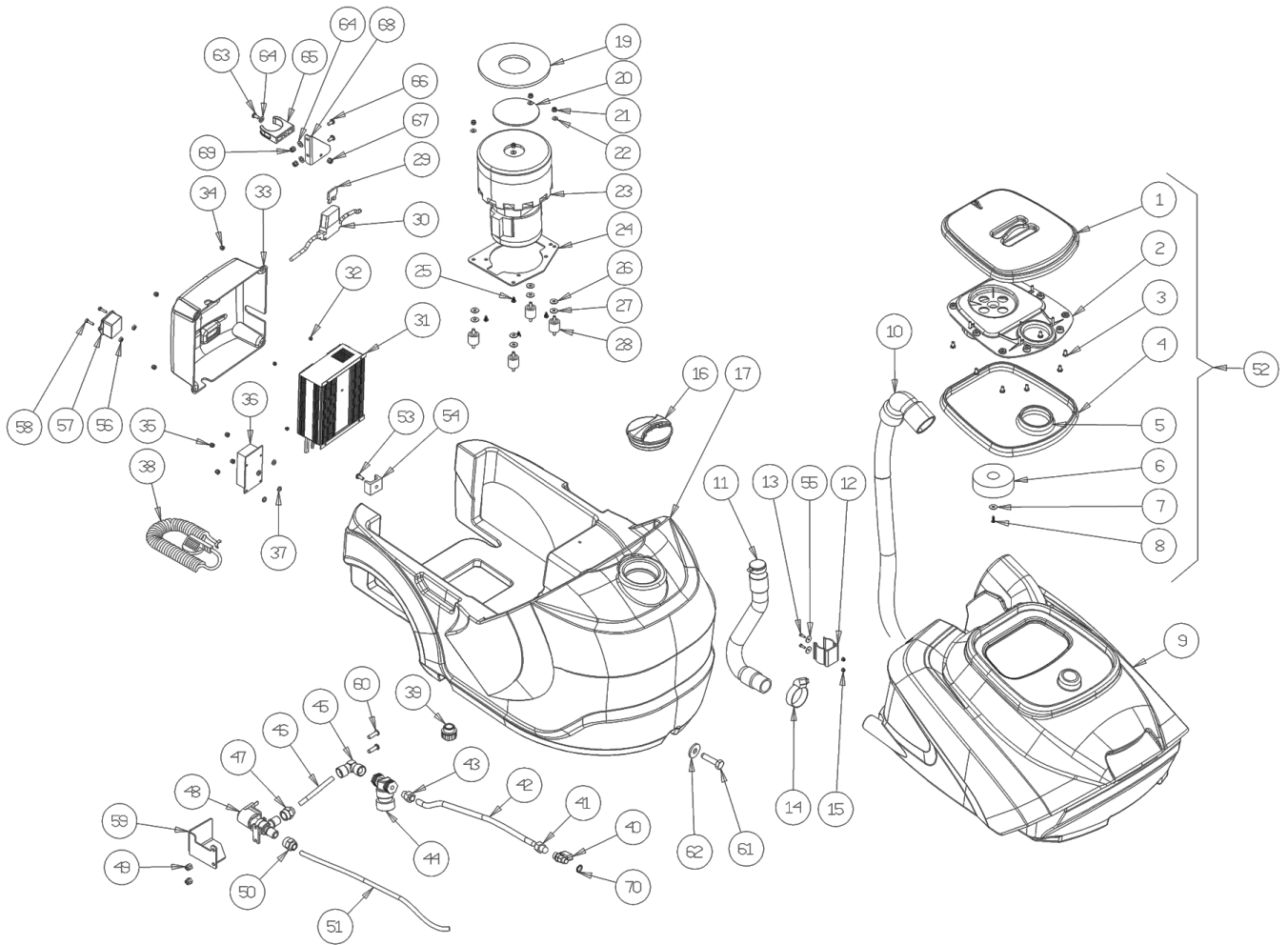
FISPO CLEAN SLOVAKIA S.R.O.

Ref: LPTB02435

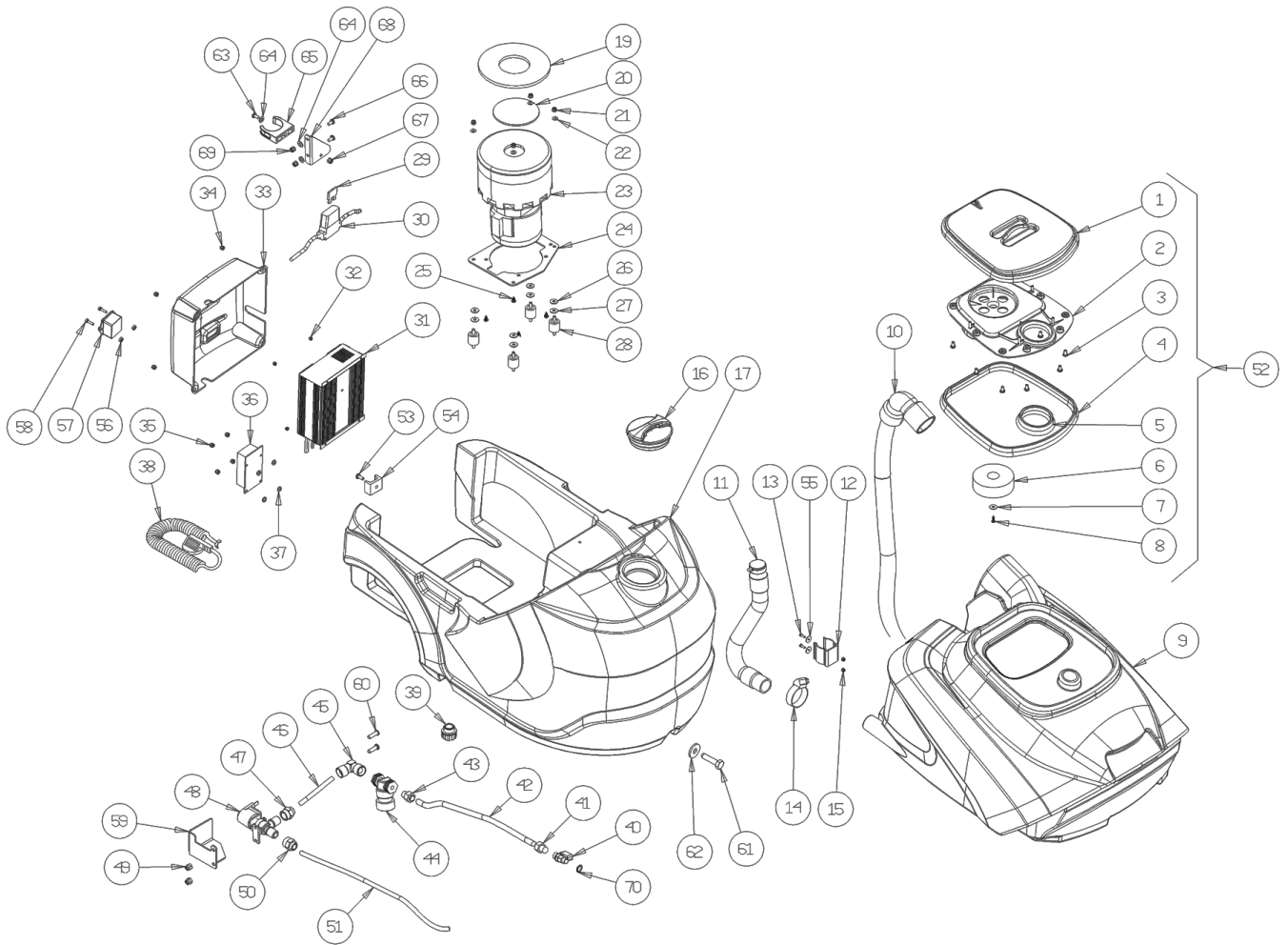
Model: CT30 B45+BAT GR/VE



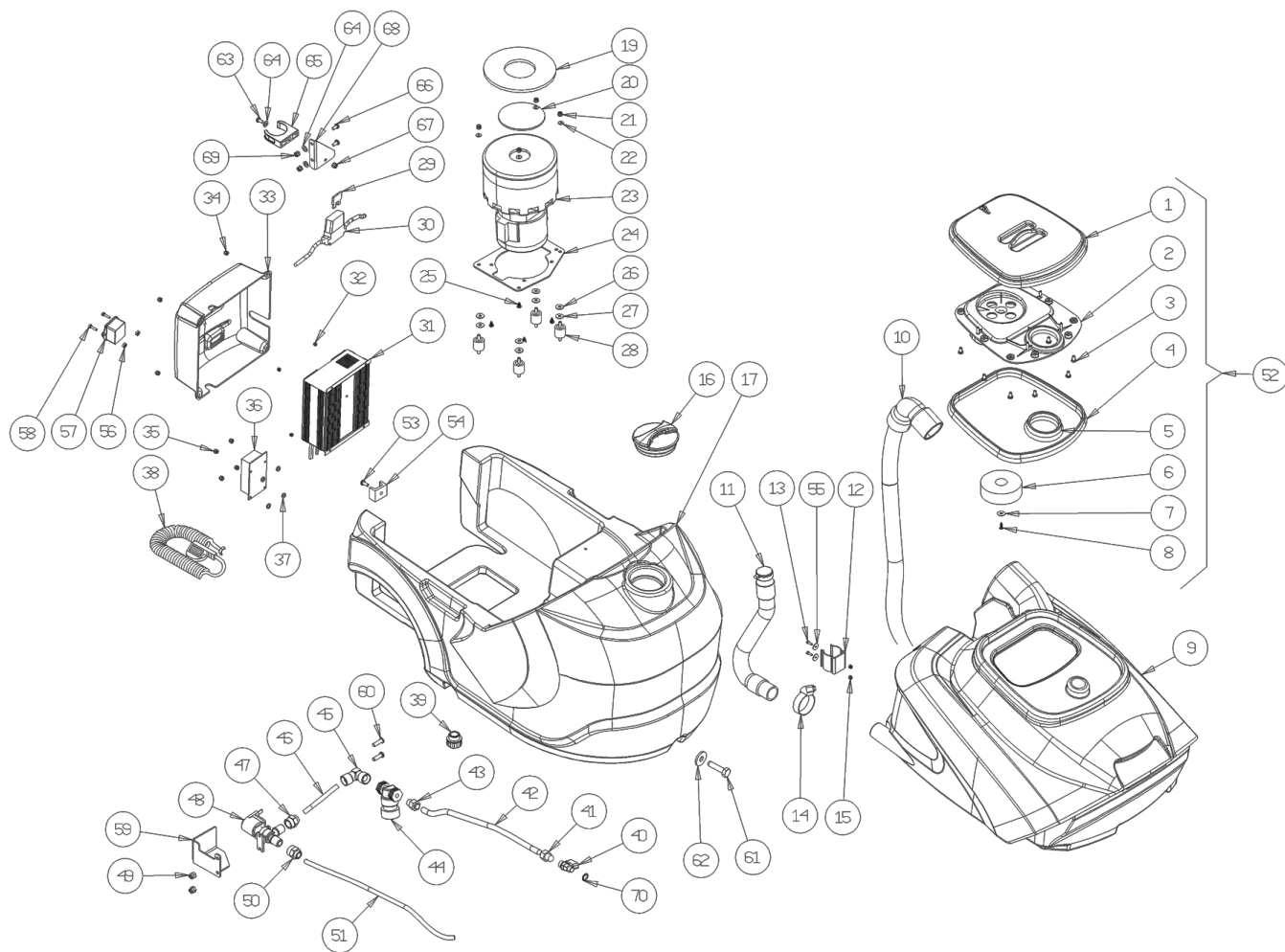
Ref. K	Part N.	Customer Part N.	Description	Qty	Validity:		Price
					From	To	
0001	MPVR05825		COVER -	1,00			--
0002	MPVR05826		COVER -	1,00			--
0003	VTVT01694		SCREW TCB TC 5 X10 UNI 9707 TZ	8,00			--
0004	GUVR00306		GASKET -	1,00			--
0005	GUVR00307		GASKET -	1,00			--
0006	MPVR05836		FLOATER -	1,00			--
0007	VTRS00573		WASHER 30x6x3	1,00			--
0008	VTVT48694		SCREW TCB TC 5 X12 UNI 9707 TZ	1,00			--
0009	MPVR05912		TANK RECOVERY CT30 PANTONE 368	1,00			--
0010	KTRI04697		KIT REPLACEMENT TBFX00351	1,00			--
0011	TBFX00350		TUBE HOSE DRAIN CT30	1,00			--
0012	MPVR46988		CLIP LAV. SHK	1,00			--
0013	VTVT29884		SCREW TE M 4X 16 UNI 5739	2,00			--
0014	FSVR00002		CLAMP EKOFLEX 9 23-35	1,00		12/2014	--
0014	FSVR00095		CLAMP 30-45	1,00	12/2014		--
0015	VTDD04369		NUT M 4 TEF UNI 7473	2,00			--
0016	MPVR05188		CAP -	1,00			--
0017	MPVR05913		TANK SOLUTION CT30 RAL7024	1,00			--
0019	GUGO00444		GASKET -	1,00			--
0020	LAFN05830		NET FERMA FILTRO INOX	1,00			--
0021	VTDD07727		NUT M 5 INOX	4,00			--
0022	VTRS15908		WASHER D. 5 INX GRW UNI 1751	4,00			--
0023	MEVR05200		CARBON MOTORE ASP.AMET.116599-13	2,00			--
0023	MOCC00397		MOTOR VACUUM CT15-CT30	1,00			--
0024	LAFN08894		PLATE -	1,00			--
0025	VTVT48694		SCREW TCB TC 5 X12 UNI 9707 TZ	4,00			--
0026	VTRS13750		WASHER D. 5X14 INX	4,00			--
0027	VTRS13750		WASHER D. 5X14 INX	4,00			--
0028	ABGO00052		VIBRATION DAMP.-	4,00			--
0029	MEVR02048		FUSE 40A	1,00			--
0030	MECB01286		WIRING FUSE HOLDER CT30 BATTERY	1,00			--
0031	BACA00156		BATTERY-CHARGER24V 10A CT30	1,00		02/2013	--
0031	BACA00166		BATTERY-CHARGER24V 10A CT30	1,00	02/2013		--
0032	VTDD00001		NUT UNI 5588 M3 ZB	4,00			--
0033	MPVR05915		COVERING -	1,00		07/2014	--
0033	MPVR06234		COVERING CT30	1,00	07/2014		--
0034	VTDD04368		NUT M 4 ZIN UNI 5588	4,00			--
0035	VTDD04368		NUT M 4 ZIN UNI 5588	4,00			--
0036	MECE00529		BOARD POWER CT15-CT30	1,00		04/2013	--



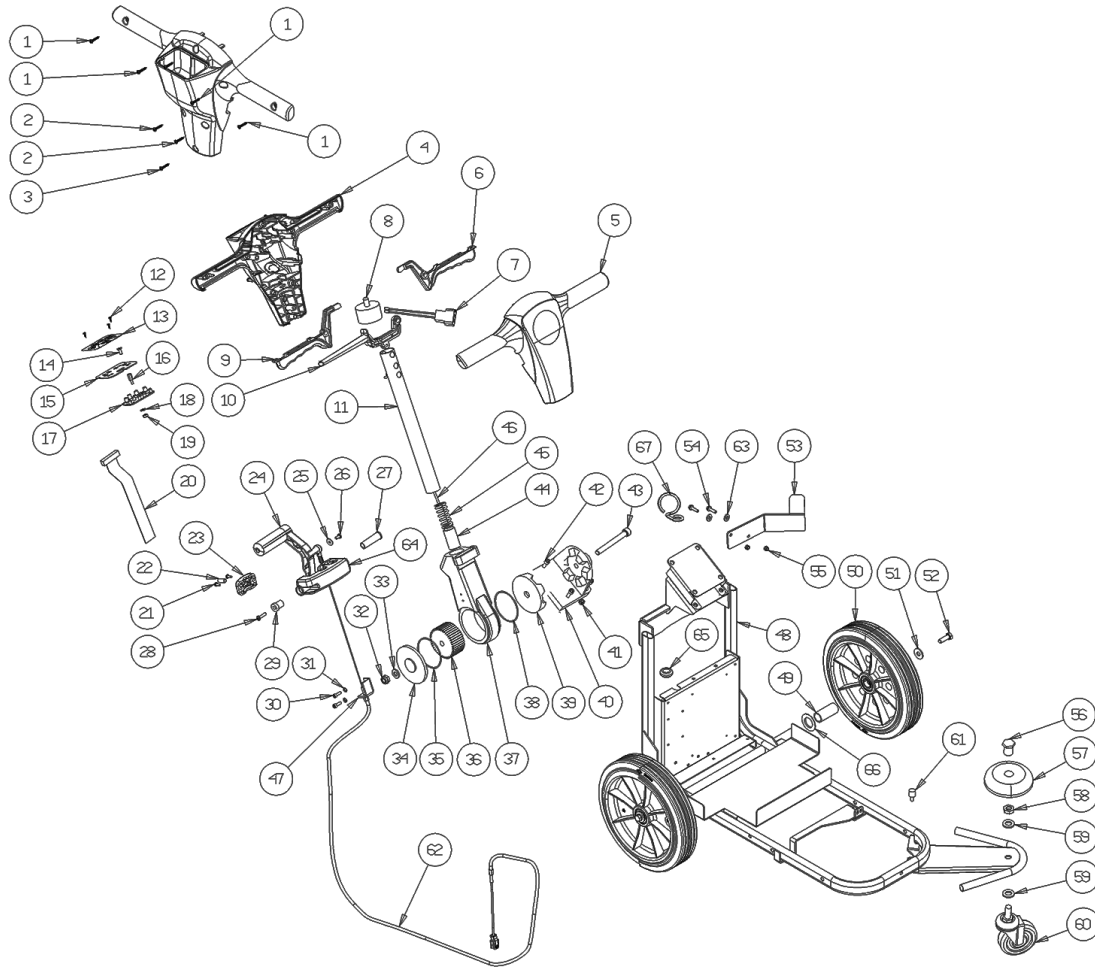
Ref.	K	Part N.	Customer Part N.	Description	Qty	Validity:		Price
						From	To	
0036		MECE00578		BOARD POWER CT15-CT30	1,00	04/2013	09/2015	--
0036	S	MECE00606		BOARD POWER CT15-CT30-45	1,00	09/2015	04/2016	--
0036		MECE00741		BOARD POWER CT45B-BT	1,00	04/2016	07/2016	--
0036		MECE00742		BOARD POWER CT15-30-45B-BT	1,00	07/2016		--
0037		VTRS00377		WASHER M4	4,00			--
0038		MECB00922		EXTENSION 3x0,75 SHUKO PLUG	1,00			--
0039		MPVR08003		CAP	1,00			--
0040		RCGR00081		VALVE -	1,00			--
0041		RCVR00770		CONNECTOR 1/8	1,00			--
0042		TBBP00481		TUBE -	0,32			--
0043		RCVR00771		CONNECTOR 1/4	1,00		09/2013	--
0043		RCVR00789		CONNECTOR -	1,00	09/2013		--
0044		FTAC00042		FILTER -	1,00		02/2012	--
0044		FTAC00044		FILTER CT15-CT30	1,00	02/2012		--
0045		RCVR00773		CONNECTOR 1/4	1,00			--
0046		TBBP00481		TUBE -	0,20			--
0047		RCVR00772		CONNECTOR 1/4	1,00			--
0048		PMVR01983		SOLENOID VALVE CT30	1,00			--
0049		VTDD00055		NUT M 4 ATB A2	2,00	05/2013		--
0049		VTVT48694		SCREW TCB TC 5 X12 UNI 9707 TZ	2,00		05/2013	--
0050		RCVR00772		CONNECTOR 1/4	1,00			--
0051		TBBP00481		TUBE -	0,48			--
0052		KTRIO1989		KIT RECOVERY LID	1,00			--
0053		VTVT00311		SCREW TE M4X12	1,00			--
0054		FSVR00243		CLAMP 20/30	1,00			--
0055		VTRS05904		WASHER D. 4 X16 2.083	2,00			--
0056		VTDD00001		NUT UNI 5588 M3 ZB	2,00			--
0057		MEVR02074		PLUG IEC	1,00			--
0058		VTVT00035		SCREW M 3X 8 TS TC ZC	2,00			--
0059		LAFN07948		PROTECTION ELETTRIC VALVOLA	1,00	05/2013		--
0060		VTVT15924		SCREW M 4X 16 TCB-TC UNI 7687	2,00	05/2013		--
0061		VTVT01376		SCREW TE M 5X 35 UNI 5739	1,00			--
0062		VTRS13750		WASHER D. 5X14 INX	1,00			--
0063		VTVT15924		SCREW M 4X 16 TCB-TC UNI 7687	1,00	09/2014		--
0064		VTRS00515		WASHER D. 4 INX	3,00	09/2014		--
0065		MPVR05841		CLIP -	1,00	09/2014		--
0066		VTVT15965		SCREW TCB-TC 4X12 UNI7687 INX	2,00	09/2014		--
0067		VTDD15925		NUT M 4 INX	1,00	09/2014		--
0068		LAFN09354		BRACKET -	1,00	09/2014		--



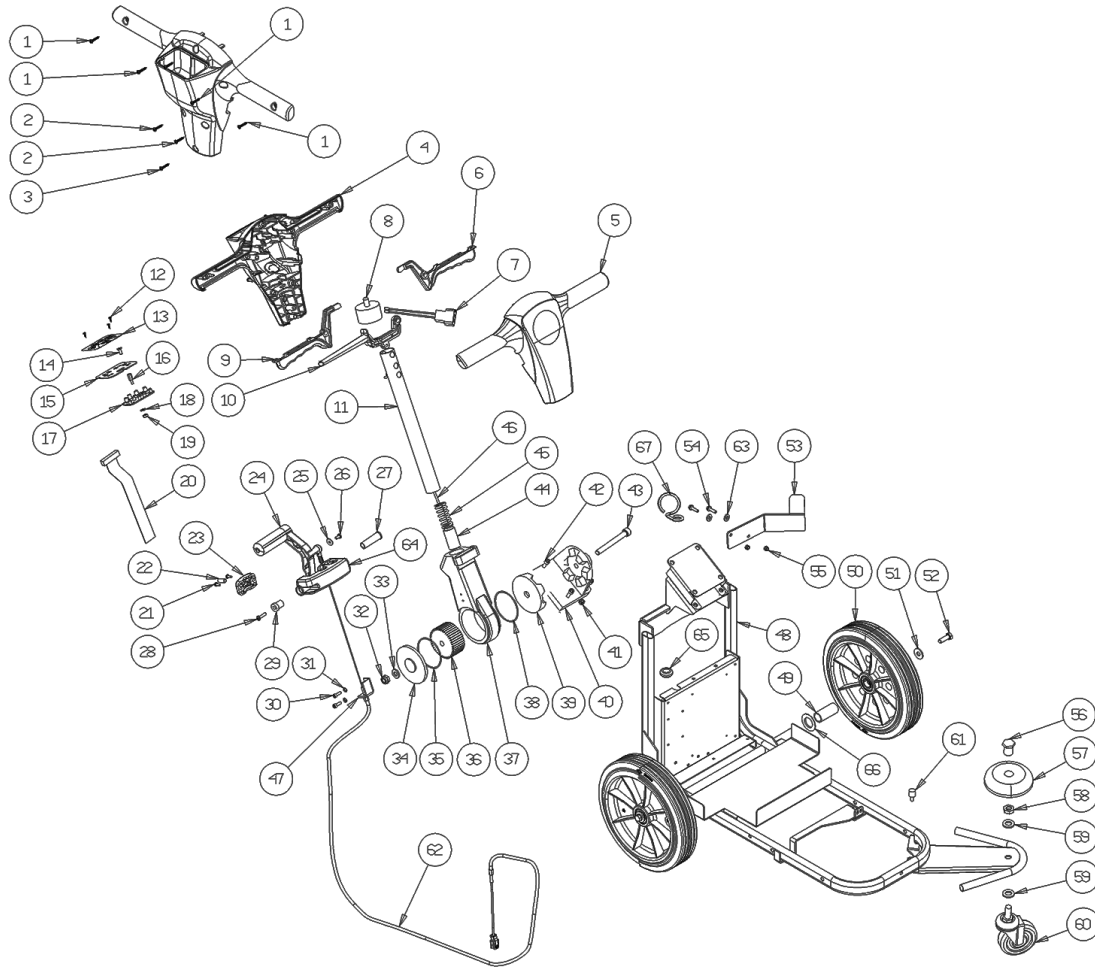
Ref. K	Part N.	Customer Part N.	Description	Qty	Validity:		Price
					From	To	
0069	VTDD15925		NUT M 4 INX	2,00	09/2014		--
0070	GUGO03500		O-RING D. 6.75 X 1.78 NBR 70SH	1,00	04/2015		--



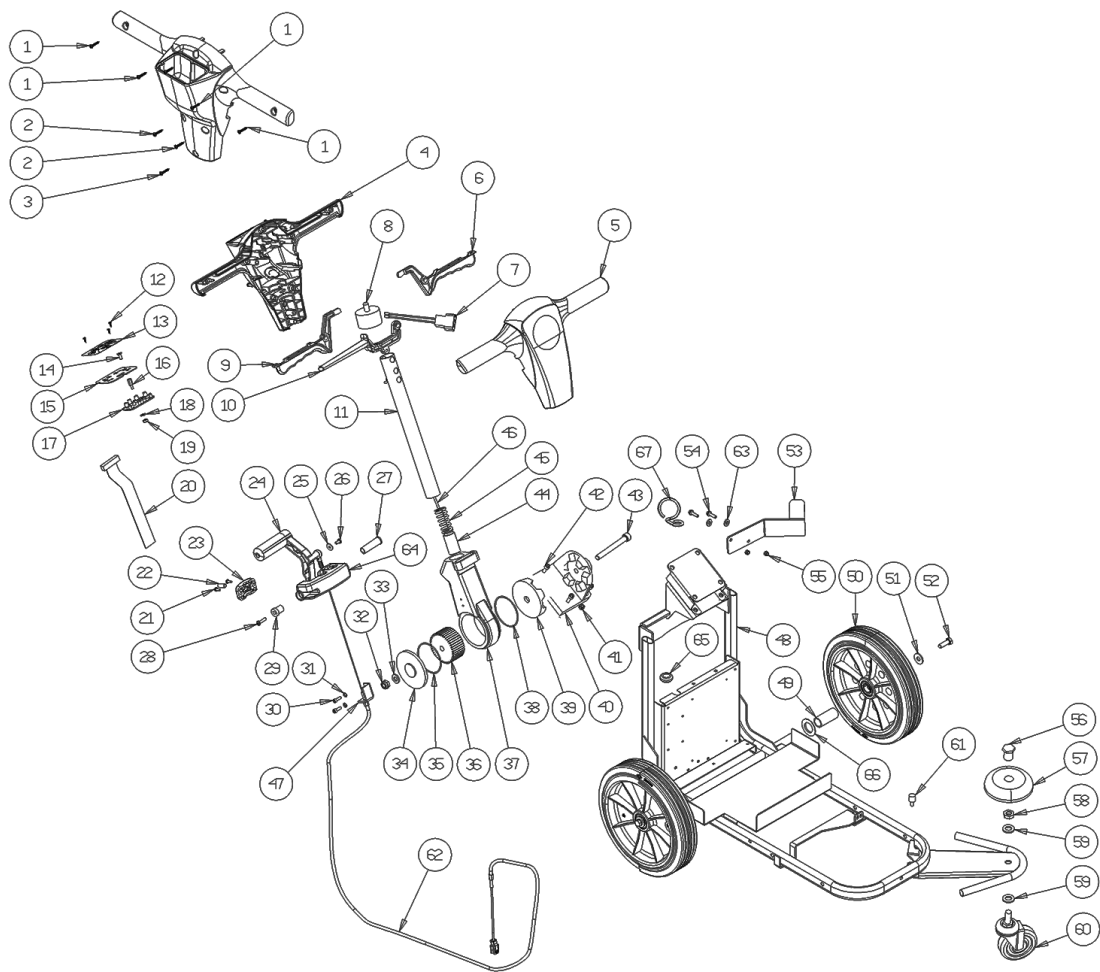
Ref. Part N.	Cust. Part N.	Description	Reference	Price
KTRI04750		KIT NEW PCB CT30B AND CT45B	0036	--



Ref.	K	Part N.	Customer Part N.	Description	Qty	Validity:		Price
						From	To	
0001		VTVT01371		SCREW 4,8X19	4,00			--
0002		VTVT01372		SCREW 4,8X25	2,00			--
0003		VTVT01373		SCREW 4,8X38	1,00			--
0004		MPVR05837		HANDLE REAR CT15-CT30	1,00			--
0005		MPVR05486		CRANKCASE -	1,00			--
0006		MPVR05490		LEVER SWITCH ACTIVATION LEFT	1,00			--
0007		MECB01273		WIRING -	1,00		03/2012	--
0007		MECB01308		WIRING -	1,00	03/2012		--
0008		MERL00013		SWITCH -	1,00			--
0009		MPVR05490		LEVER SWITCH ACTIVATION LEFT	1,00			--
0010		MPVR05488		LEVER HANDLE ADJUSTMENT	1,00			--
0011		LAFN09338		TUBE MANICO	1,00			--
0012		VTVT00800		SCREW TC 4X12 ZN	3,00			--
0013		ETET01667		LABEL DASHBOARD CT15-CT30	1,00			--
0014		VTVT01377		SCREW TSP-TC M 3X5 UNI7688 INX	4,00			--
0015		LAFN08891		BRACKET -	1,00			--
0016		VTVR00481		INSERT FILETTATO M6	4,00			--
0017	S	MECE00554		BOARD LOGIC CT30 24V	1,00		09/2015	--
0017		MECE00605		BOARD LOGIC CT30 24V	1,00	09/2015	06/2016	--
0017		MECE00740		BOARD LOGIC CT15R-CT45BT	1,00	06/2016		--
0018		VTRS00268		WASHER D.3	4,00			--
0019		VTDD21115		NUT M 3 INOX	4,00			--
0020		MECB01288		CABLE FLAT CT30	1,00			--
0021		VTVT01375		SCREW 5X22	2,00			--
0022		MPVR05925		HOSE COLLAR CT15	1,00			--
0023		MPVR05925		HOSE COLLAR CT15	1,00			--
0024		MPVR49942		LEVER SHK PP	1,00			--
0025		VTRS00251		WASHER 4-16 INOX A2	1,00			--
0026		VTVT00800		SCREW TC 4X12 ZN	1,00			--
0027		MPVR05927		PIN CT15	1,00			--
0028		VTVT01374		SCREW 5X40	1,00			--
0029		MPVR05928		BUSHING CT15	1,00			--
0030		VTVT17639		SCREW TCEI M 5X10 UNI 5931	2,00			--
0031		VTRS08013		WASHER D. 5 GRW	2,00			--
0032		VTDD00042		NUT AUT.M10 UNI7474	1,00			--
0033		VTRS00505		WASHER D.10 TE UNI 6592	1,00			--
0034		LAFN07476		COVER -	1,00			--
0035		GUGO00437		O-RING -	1,00			--
0036		MTIG00125		GEAR	1,00			--

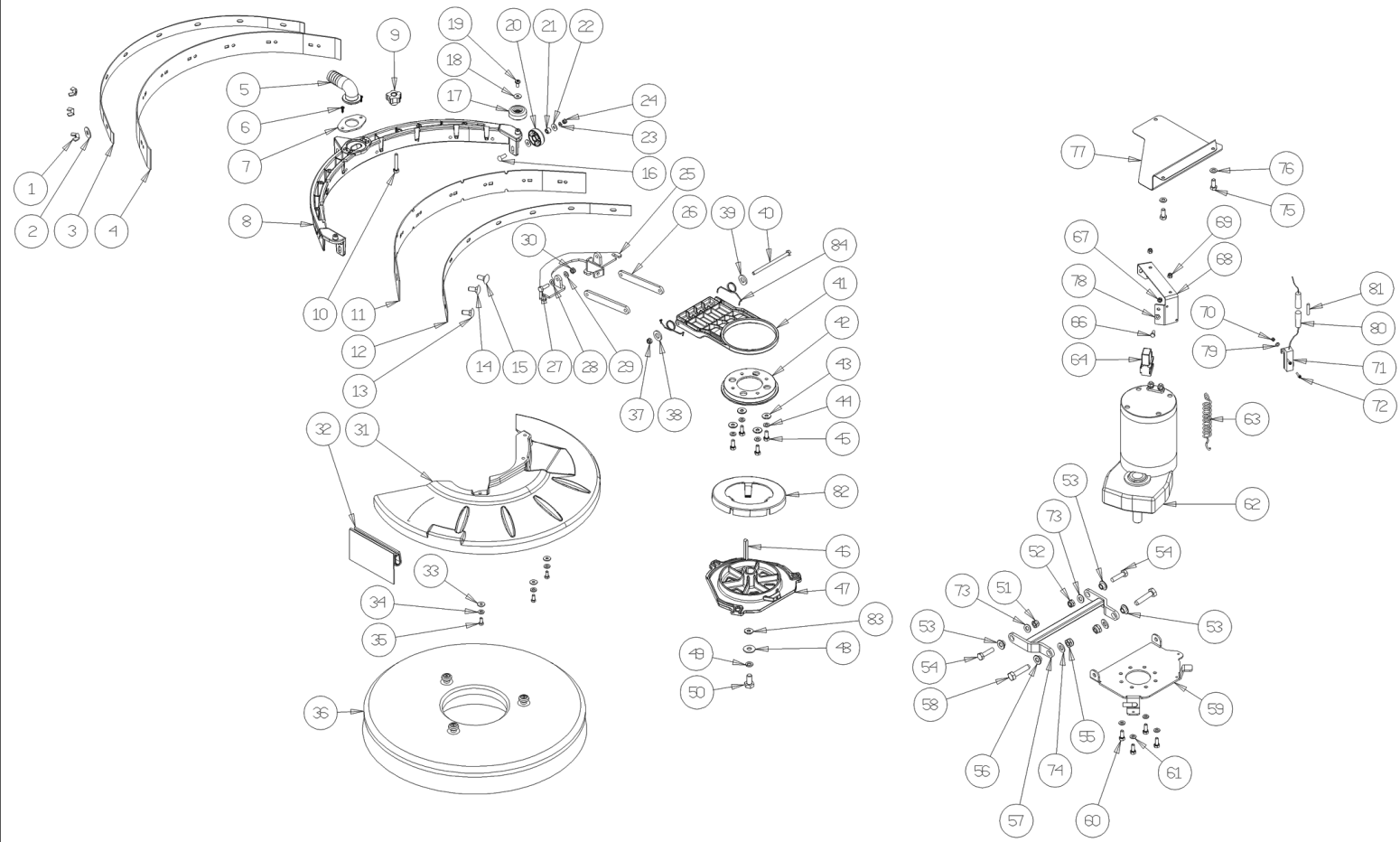


Ref.	K	Part N.	Customer Part N.	Description	Qty	Validity:		Price
						From	To	
0037		LAFN07475		SUPPORT -	1,00			--
0038		GUGO00437		O-RING -	1,00			--
0039		LAFN07477		COVER -	1,00			--
0040		LAFN07478		SUPPORT -	1,00			--
0041		VTDD00124		NUT M 8 BASSO	4,00			--
0042		VTVT29810		SCREW TCEI M 8X20 UNI 5931	4,00			--
0043		VTVT01205		SCREW -	1,00			--
0044		MTIG00126		GEAR	1,00			--
0045		MLML00319		SPRING -	1,00			--
0046		LAFN07917		SUPPORT -	1,00			--
0047		LAFN08898		BRACKET -	1,00			--
0048		LAFN07901		FRAME -	1,00			--
0049		LAFN09154		BUSHING CT30	2,00		06/2016	--
0049		LAFN11016		SPACER -	2,00	06/2016		--
0050		RTRT00537		WHEEL GRAY d.250 CT15-30-45	2,00			--
0051		VTRS00512		WASHER D. 8 X24 ZC.	2,00			--
0052		VTVT01110		SCREW TE 8X16 UNI5739	2,00			--
0053		LAFN09171		BRACKET -	1,00			--
0054		VTVT15143		SCREW TE 6X16 UNI5739	2,00			--
0055		VTDD01694		NUT M6 INOX	2,00			--
0056		LAFN09172		BUSHING -	1,00			--
0057		MPVR05965		WHEEL -	1,00			--
0058		VTDD00502		NUT M12	1,00			--
0059		VTRS09142		WASHER D.12 X 36	2,00	02/2015		--
0059		VTRS15978		WASHER D.12X24 UNI 6592 INX	2,00		02/2015	--
0060		RTRT00544		WHEEL D.80MXHC	1,00			--
0061		MPVR05967		CAP -	1,00			--
0062		CMCV00453		CABLE SQUEEGEE LIFT CT15	1,00			--
0063		VTRS00245		WASHER D.6 UNI 6592 INOX	2,00			--
0064		MPVR05926		SUPPORT CT15	1,00			--
0065		MEVR00686		FAIR-LEAD DIAMETER 15.5	1,00			--
0066		VTRS00364		THICKNESS 18X25X1	4,00	09/2015	06/2016	--
0067		LAFN11049		HOOK -	1,00	06/2016		--

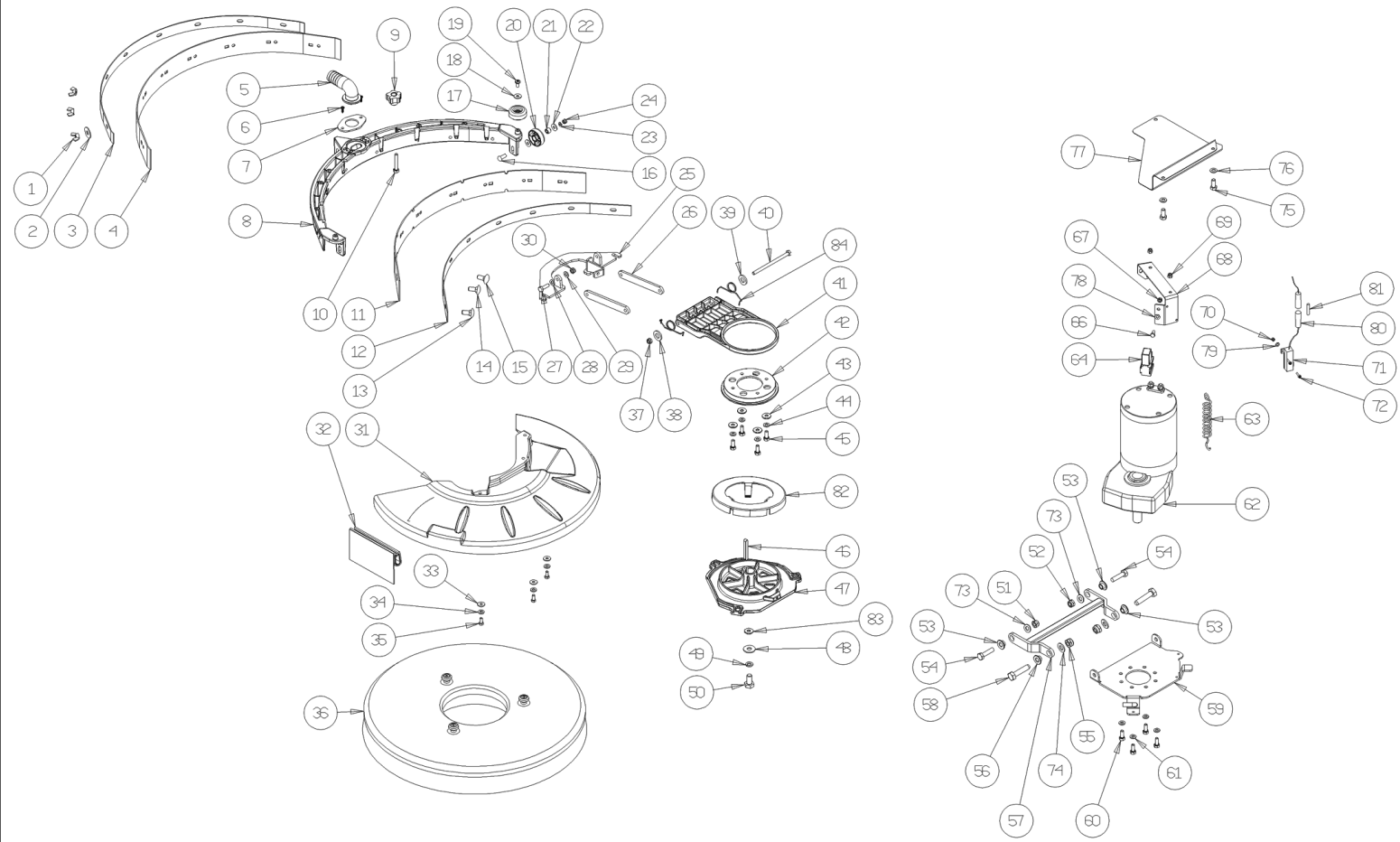


Ref. Part N.	Cust. Part N.	Description	Reference	Price
KTRI04750		KIT NEW PCB CT30B AND CT45B	0017	--

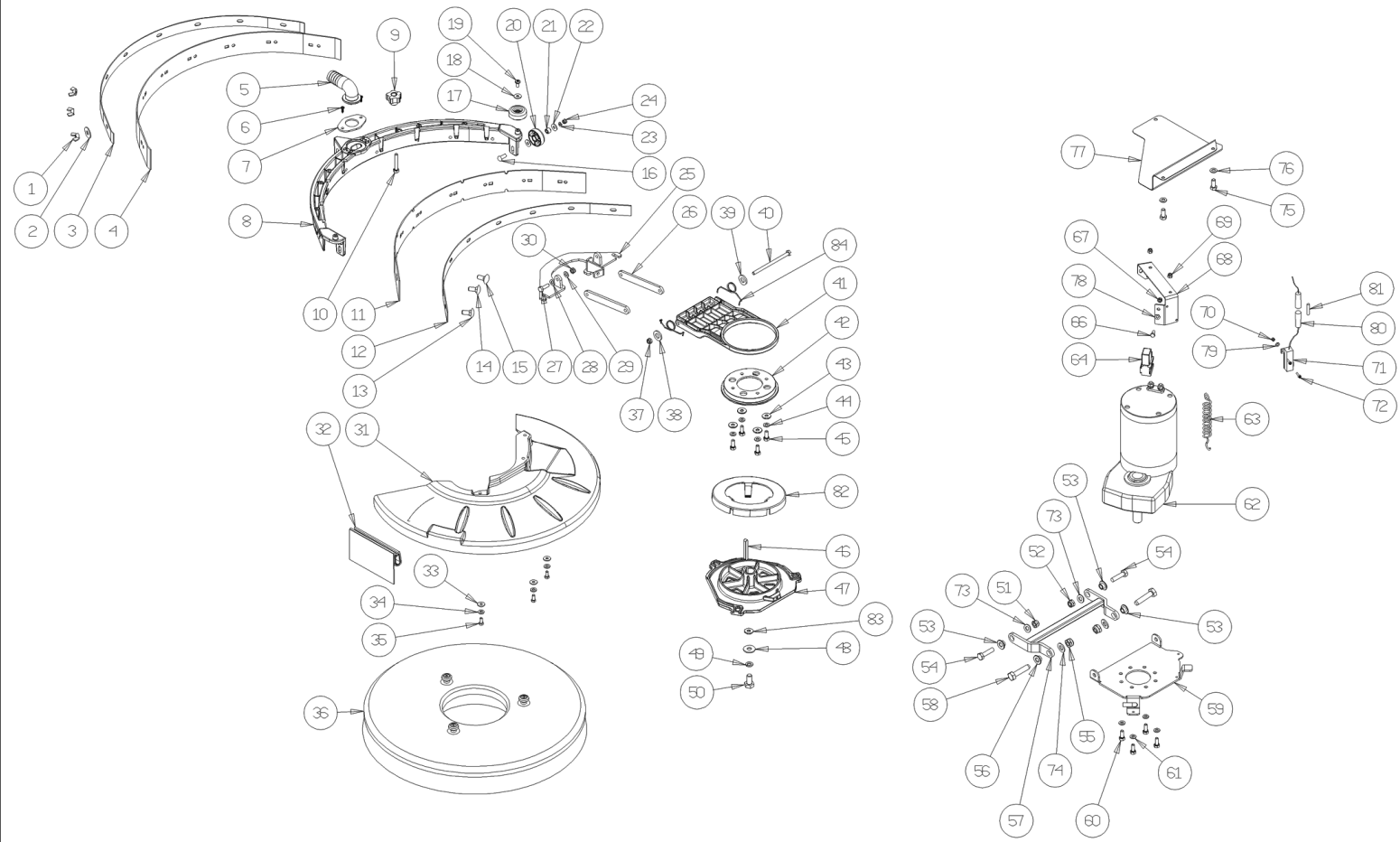




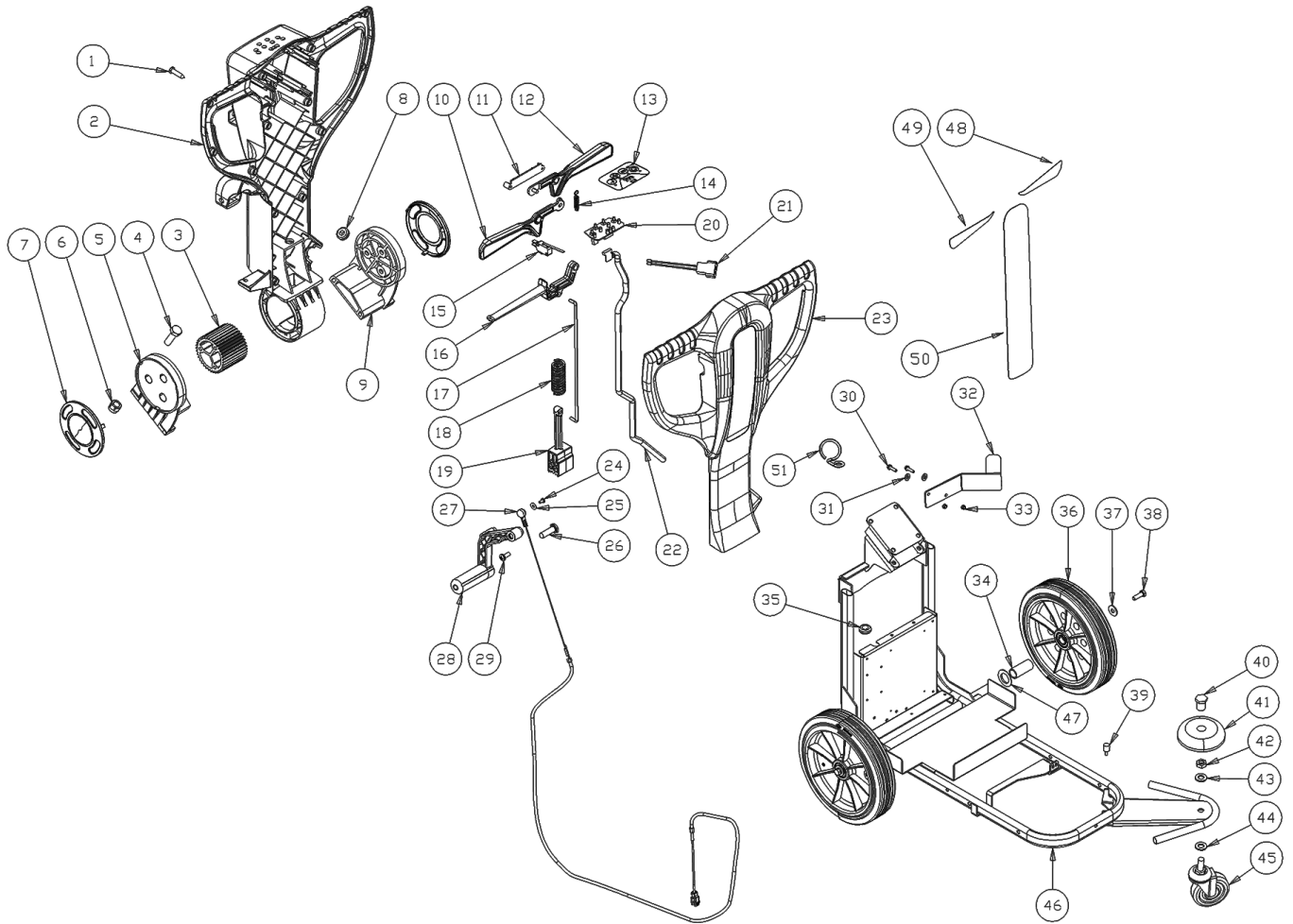
Ref.	K	Part N.	Customer Part N.	Description	Qty	Validity:		Price
						From	To	
0001		VTDD00522		NUT M5	6,00			--
0002		VTRS13750		WASHER D. 5X14 INX	6,00			--
0003		LAFN07908		BRACKET -	1,00			--
0004		MPVR05954		FLAP SQUEEGEE REAR CT30	1,00			--
0005		MPVR05831		CONNECTOR ELBOW FITTING CT15-CT30	1,00			--
0006		VTVT48694		SCREW TCB TC 5 X12 UNI 9707 TZ	2,00			--
0007		LAFN08890		FLANGE -	1,00			--
0008		MPVR05914		FLOOR WIPER YELLOW RAL1021	1,00			--
0009		MPVR05842		SMALL KNOB -	2,00			--
0010		VTVT15515		SCREW TE M 6X 50 INOX A2	2,00			--
0011		MPVR05953		FLAP SQUEEGEE FRONT CT30	1,00			--
0012		LAFN07907		BRACKET -	1,00			--
0013		VTVT01690		SCREW M5x25	2,00			--
0014		VTVT01691		SCREW M5x35	2,00			--
0015		VTVT01691		SCREW M5x35	2,00			--
0016		VTVT01693		SCREW M5x20	3,00			--
0017		MPVR05832		WHEEL -	2,00			--
0018		VTRS13750		WASHER D. 5X14 INX	2,00			--
0019		VTVT48694		SCREW TCB TC 5 X12 UNI 9707 TZ	2,00			--
0020		MPVR05832		WHEEL -	3,00			--
0021		LAFN08913		BUSHING -	3,00			--
0022		VTRS13750		WASHER D. 5X14 INX	6,00			--
0023		VTRS15908		WASHER D. 5 INX GRW UNI 1751	3,00			--
0024		VTDD01693		NUT M 5 INX	3,00			--
0025		LAFN07903		SUPPORT -	1,00			--
0026		LAFN07902		ARM -	2,00			--
0027		VTVT13939		SCREW TE 6X20 UNI5739 INX	2,00			--
0028		VTRS00245		WASHER D.6 UNI 6592 INOX	2,00			--
0029		VTRS00245		WASHER D.6 UNI 6592 INOX	2,00			--
0030		VTDD01694		NUT M6 INOX	2,00			--
0031		MPVR05916		COVERING BRUSH HEAD CT30	1,00			--
0032		MPVR05966		FLAP BRUSH SKIRT CT30	1,00			--
0033		VTRS13750		WASHER D. 5X14 INX	3,00			--
0034		VTRS15908		WASHER D. 5 INX GRW UNI 1751	3,00			--
0035		VTVT01300		SCREW TE M5X12 INOX	3,00			--
0036		SPPV01188		BRUSH CT30 NEW	1,00	04/2013		--
0036		SPPV01308		BRUSH CT30	1,00		04/2013	--
0037		VTDD01694		NUT M6 INOX	1,00			--
0038		VTRS00245		WASHER D.6 UNI 6592 INOX	1,00		01/2015	--



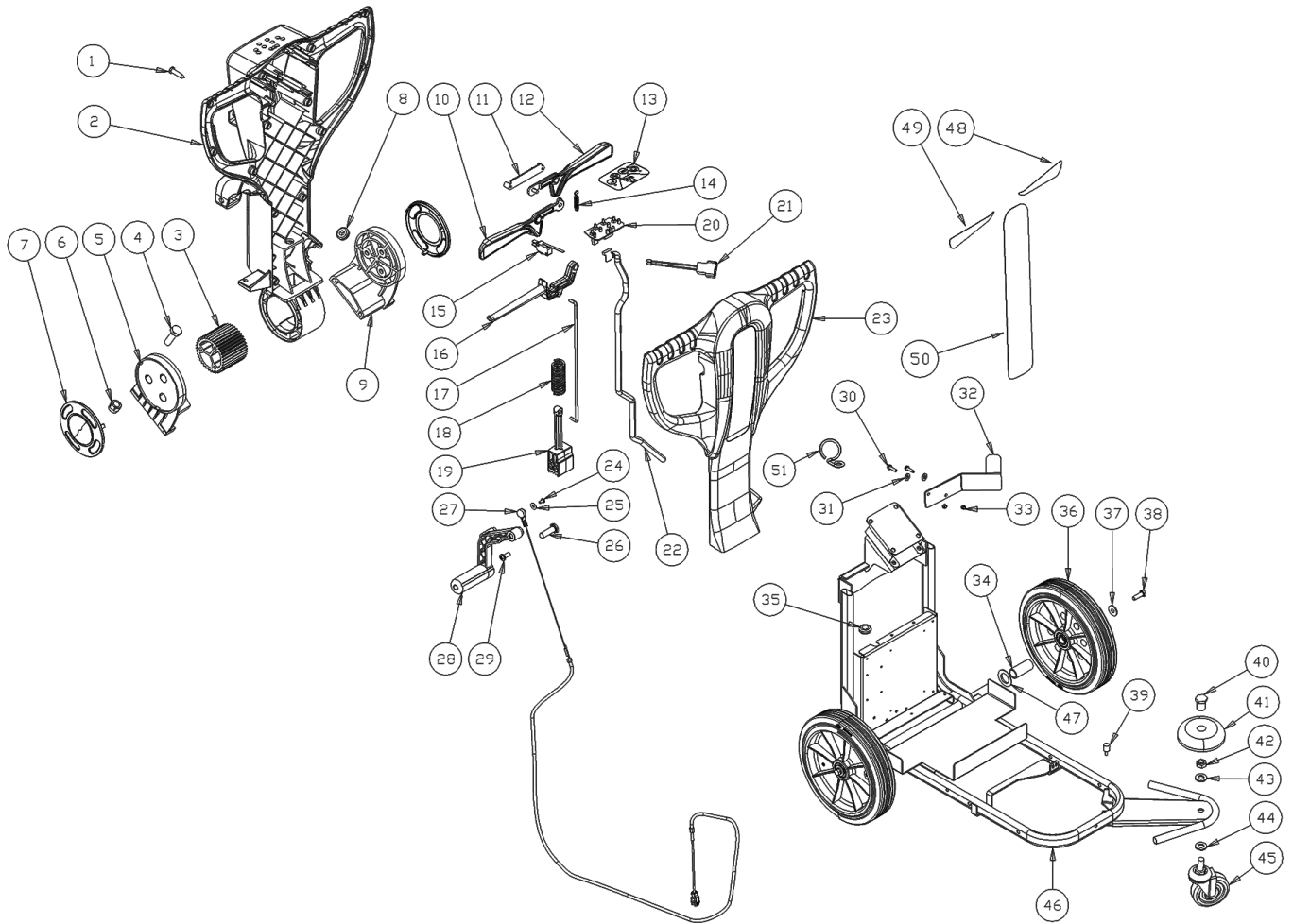
Ref.	K	Part N.	Customer Part N.	Description	Qty	Validity:		Price
						From	To	
0038		VTRS13945		WASHER D. 6X18 INX UNI 6593	1,00	01/2015		--
0039		VTRS00245		WASHER D.6 UNI 6592 INOX	1,00		01/2015	--
0039		VTRS13945		WASHER D. 6X18 INX UNI 6593	1,00	01/2015		--
0040		VTVT01385		SCREW M6X140	1,00	01/2015		--
0040		VTVT01692		SCREW M6X125	1,00		01/2015	--
0041		MPVR05829		SUPPORT -	1,00		01/2015	--
0041		MPVR07158		BODY SIDE SX	1,00	01/2015		--
0042		MPVR05830		BRACKET -	1,00		01/2015	--
0042		MPVR07161		BRACKET -	1,00	01/2015		--
0043		VTRS13945		WASHER D. 6X18 INX UNI 6593	4,00			--
0044		VTRS15144		WASHER D. 6 INX GRW UNI 1751	4,00			--
0045		VTVT13939		SCREW TE 6X20 UNI5739 INX	4,00			--
0046		VTVR16617		KEY 6X 6X30 UNI 6604	1,00			--
0047		MFVR00212		DRIVE DISK	1,00			--
0048		VTRS13946		WASHER D. 8 X24 INX UNI 6593	1,00			--
0049		VTRS15146		WASHER D. 8 INX GRW UNI 1751	1,00			--
0050		VTVT13938		SCREW TE 8X20 UNI5739 INX	1,00			--
0051		VTDD01695		NUT M 8 INX	1,00			--
0052		VTDD01695		NUT M 8 INX	1,00			--
0053		LAFN06391		BUSHING PARALLELOGRAMMA	3,00			--
0054		VTVT00410		SCREW TE M8x35 UNI5739 INOX	2,00		04/2014	--
0054		VTVT01378		SCREW TBEI M8X35	2,00	04/2014		--
0055		VTDD01695		NUT M 8 INX	2,00			--
0056		LAFN51068		BUSHING LEVA POSTER.	1,00			--
0057		LAFN07910		BRACKET -	1,00			--
0058		VTVT01195		SCREW TBEI M 8X 25 ISO 7380 IX	2,00	04/2014		--
0058		VTVT15907		SCREW TE 8X25 UNI5739 INX	2,00		04/2014	--
0059		LAFN07905		SUPPORT -	1,00			--
0060		VTVT15906		SCREW TE 6X 12 A2 UNI 5739	4,00			--
0061		VTRS15144		WASHER D. 6 INX GRW UNI 1751	4,00			--
0062		MOCC00406		MOTOR BRUSH CT30B	1,00		03/2013	--
0062		MOCC00431		MOTOR CT30 B	1,00	03/2013		--
0063		MLML00065		SPRING L0=80 De=12 Df=1.7	1,00		10/2013	--
0063		MLML00340		SPRING -	1,00	10/2013		--
0064		MECI00005		RELAY 24V 10/20A	1,00		09/2015	--
0066		VTVT34115		SCREW TE M 5X 10 UNI 5739	1,00		09/2015	--
0067		VTDD01693		NUT M 5 INX	1,00		09/2015	--
0068		LAFN07906		BRACKET -	1,00			--
0069		VTDD00128		SELF-LOCJ.NUT M5	2,00			--



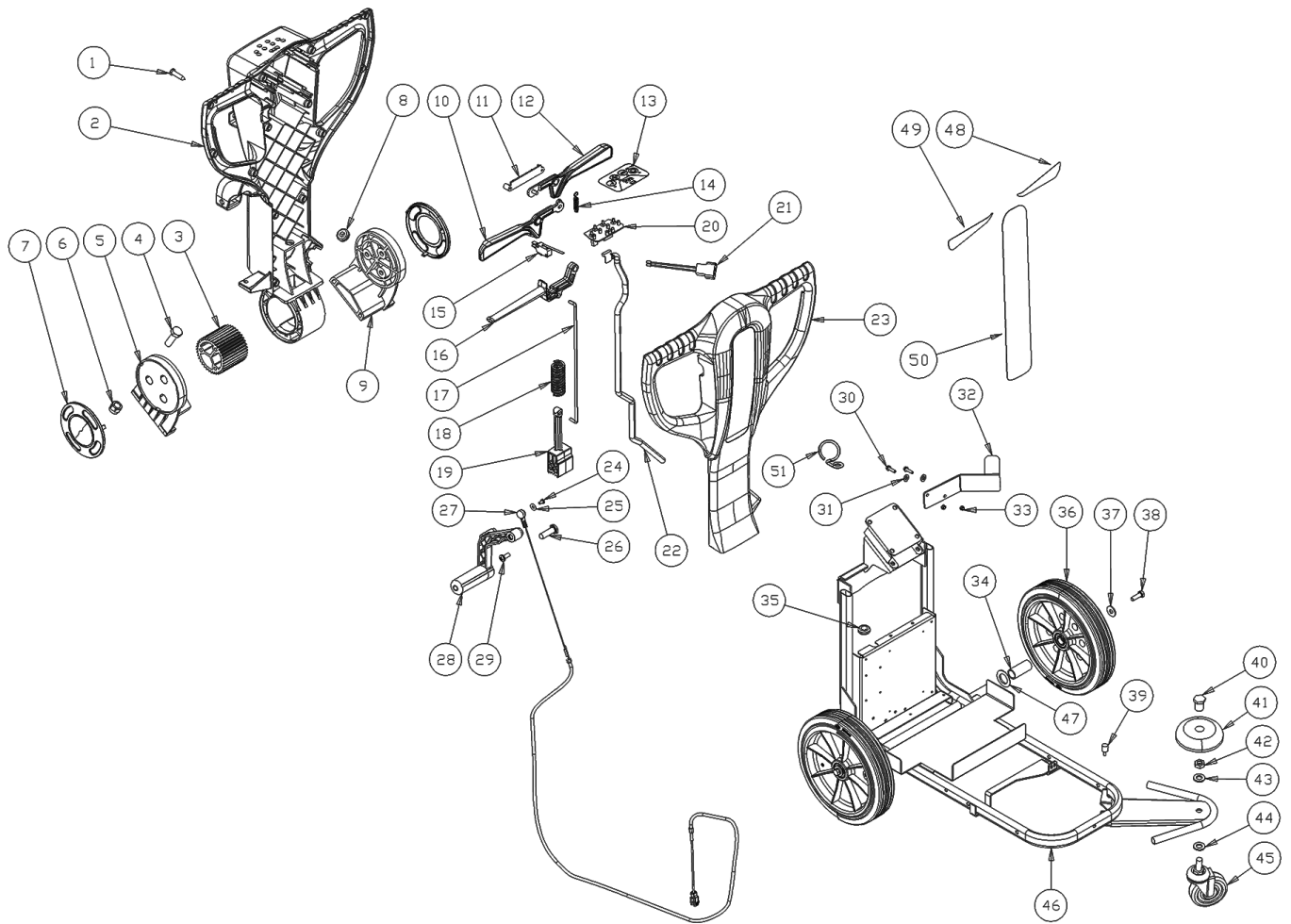
Ref. K	Part N.	Customer Part N.	Description	Qty	Validity:		Price
					From	To	
0070	VTDD21115		NUT M 3 INOX	2,00		09/2015	--
0071	MEVR02066		RESISTANCE 3,3ohm 50W	1,00		09/2015	--
0072	VTVT00743		SCREW TC+ M. 3-8	2,00		09/2015	--
0073	VTRS13947		WASHER D. 8 INX UNI 6592	2,00			--
0074	VTRS13947		WASHER D. 8 INX UNI 6592	4,00			--
0075	VTVT34115		SCREW TE M 5X 10 UNI 5739	3,00			--
0076	VTRS13750		WASHER D. 5X14 INX	3,00			--
0077	MPVR05957		PROTECTION -	1,00			--
0078	VTRS13750		WASHER D. 5X14 INX	1,00		09/2015	--
0079	VTRS27296		WASHER GROWER 3 ZNT	2,00		09/2015	--
0080	MEVR00080		FUSE-HOLDER PV610 10A	1,00	03/2012	09/2015	--
0081	MEVR01747		FUSE 6X32 3A T	1,00	03/2012	09/2015	--
0082	MPVR06045		CONVEYOR -	1,00			--
0083	VTRS13947		WASHER D. 8 INX UNI 6592	1,00	11/2014		--
0084	MLML00343		SPRING -	2,00	01/2015		--



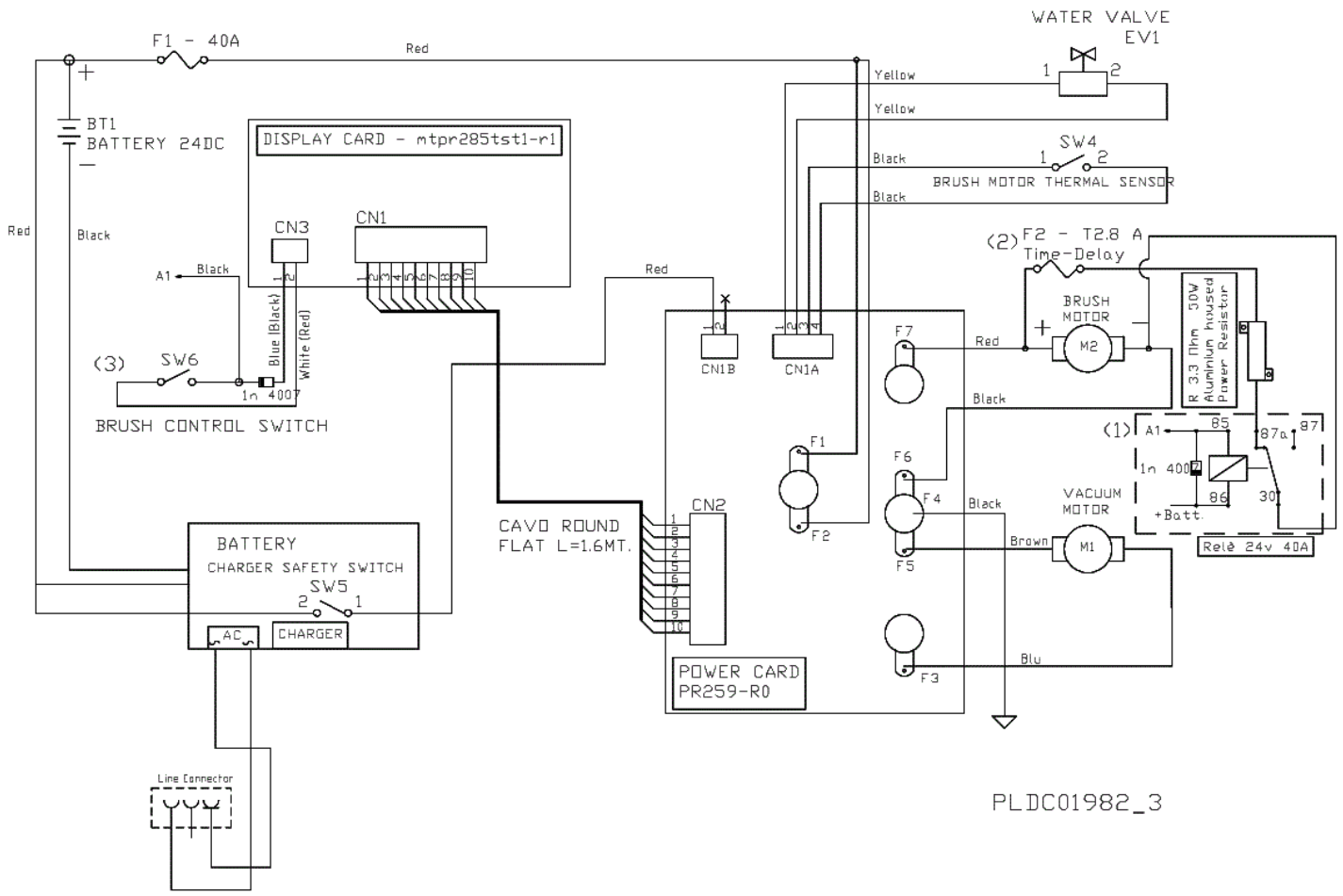
Ref.	K	Part N.	Customer Part N.	Description	Qty	Validity:		Price
						From	To	
0001		VTVT01371		SCREW 4,8X19	14,00			--
0002		MPVR06047		CRANKCASE -	1,00			--
0003		MPVR06056		GEAR -	1,00			--
0004		VTVT75724		SCREW TBEI M 8X 22 ISO 7380 ZB	4,00			--
0005		MPVR06053		SHELL DX	1,00			--
0006		VTDD00124		NUT M 8 BASSO	4,00			--
0007		MPVR06055		COVER -	2,00			--
0008		MPVR06057		FAIR-LEAD -	1,00			--
0009		MPVR06054		SHELL SX	1,00			--
0010		MPVR06049		LEVER DX	1,00			--
0011		MPVR06298		COVERING CT55	1,00			--
0012		MPVR06048		LEVER SX	1,00			--
0013		ETET01780		LABEL -	1,00		09/2015	--
0013		ETET01842		LABEL -	1,00	09/2015		--
0014		MLML00336		SPRING -	1,00			--
0015		MECI36393		MICROSWITCH TRZ. DRW	1,00			--
0016		MPVR06050		LEVER ADJUSTMENT	1,00			--
0017		LAFN09221		LEVER RINVIO	1,00			--
0018		MLML00337		SPRING -	1,00			--
0019		MPVR06052		HANDLE SUPPORT	1,00			--
0020		MECE00554		BOARD LOGIC CT30 24V	1,00		09/2015	--
0020	S	MECE00605		BOARD LOGIC CT30 24V	1,00	09/2015		--
0021		MECB01324		WIRING PUSH BOTTON CT45 C	1,00	09/2015		--
0021		MECB01325		WIRING PUSH BOTTON CT45 B	1,00		09/2015	--
0022		MECB01257		CABLE RIBBON CT15	1,00	09/2015	11/2015	--
0022		MECB01326		WIRING FLAT CABLE CT45	1,00		09/2015	--
0022		MECB01396		WIRING	1,00	11/2015		--
0023		MPVR06046		CRANKCASE -	1,00			--
0024		VTVT00800		SCREW TC 4X12 ZN	1,00			--
0025		VTRS00251		WASHER 4-16 INOX A2	1,00			--
0026		LAFN09248		PIN -	1,00			--
0027		CMCV00463		CABLE LIFTING SQUEEGEE CT15-30	1,00			--
0028		MPVR49942		LEVER SHK PP	1,00			--
0029		VTVT00796		SCREW TC 6X12	1,00			--
0030		VTVT15143		SCREW TE 6X16 UNI5739	2,00			--
0031		VTRS00245		WASHER D.6 UNI 6592 INOX	2,00			--
0032		LAFN09171		BRACKET -	1,00			--
0033		VTDD01694		NUT M6 INOX	2,00			--
0034		LAFN09154		BUSHING CT30	2,00		06/2016	--



Ref.	K	Part N.	Customer Part N.	Description	Qty	Validity:		Price
						From	To	
0034		LAFN11016		SPACER -	2,00	06/2016		--
0035		MEVR00686		FAIR-LEAD DIAMETER 15.5	1,00			--
0036		RTRT00537		WHEEL GRAY d.250 CT15-30-45	2,00			--
0037		VTRS00512		WASHER D. 8 X24 ZC.	2,00			--
0038		VTVT01110		SCREW TE 8X16 UNI5739	2,00			--
0039		MPVR05967		CAP -	1,00			--
0040		LAFN09172		BUSHING -	1,00			--
0041		MPVR05965		WHEEL -	1,00			--
0042		VTDD00502		NUT M12	1,00			--
0043		VTRS09142		WASHER D.12 X 36	1,00	02/2015		--
0043		VTRS15978		WASHER D.12X24 UNI 6592 INX	1,00	02/2015	02/2015	--
0044		VTRS09142		WASHER D.12 X 36	1,00	02/2015		--
0044		VTRS15978		WASHER D.12X24 UNI 6592 INX	1,00	02/2015	02/2015	--
0045		RTRT00544		WHEEL D.80MXHC	1,00			--
0046		LAFN07901		FRAME -	1,00			--
0047		VTRS00364		THICKNESS 18X25X1	4,00	09/2015	06/2016	--
0048		ETET01770		LABEL CT15	1,00			--
0048		ETET01773		LABEL CT15	1,00			--
0048		ETET01775		LABEL CT15	1,00			--
0049		ETET01770		LABEL CT15	1,00			--
0049		ETET01773		LABEL CT15	1,00			--
0049		ETET01775		LABEL CT15	1,00			--
0050		ETET01769		LABEL CT15	1,00			--
0050		ETET01772		LABEL CT15	1,00			--
0050		ETET01774		LABEL CT15	1,00			--
0051		LAFN11049		HOOK -	1,00	04/2016		--

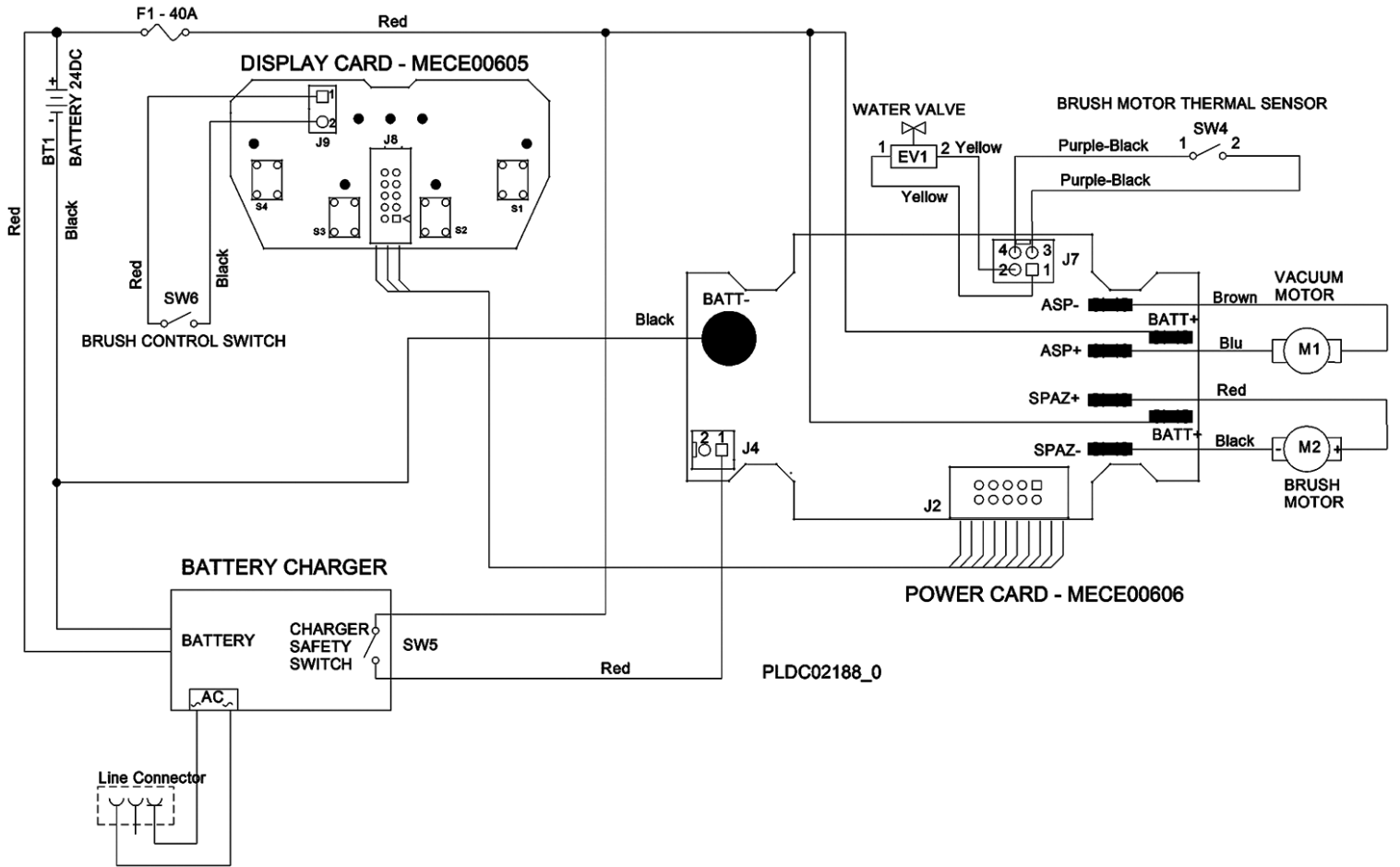


Ref. Part N.	Cust. Part N.	Description	Reference	Price
KTRI04750		KIT NEW PCB CT30B AND CT45B	0020	--



PLDC01982\_3

Ref.	K	Part N.	Customer Part N.	Description	Qty	Validity:		Price
						From	To	
EV1		MEEV00042		SOLENOID VALVE	1,00			--
F1		MEVR02048		FUSE 40A	1,00			--
M1		MOCC00397		MOTOR VACUUM CT15-CT30	1,00			--
M2		MOCC00406		MOTOR BRUSH CT30B	1,00			--



Ref. K	Part N.	Customer Part N.	Description	Qty	Validity:		Price
					From	To	
0001	MECE00605		BOARD LOGIC CT30 24V	1,00			--
0002	MECE00606		BOARD POWER CT15-CT30-45	1,00			--